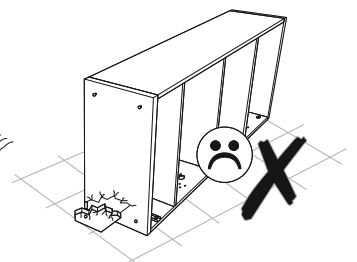
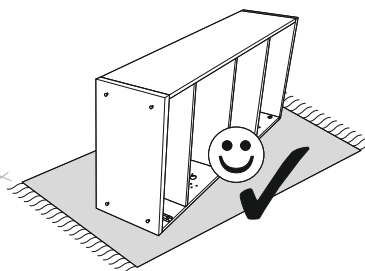
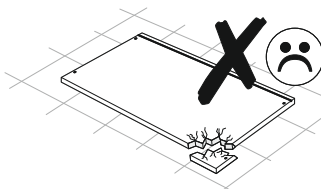
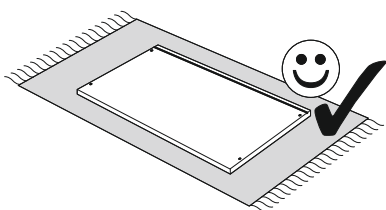
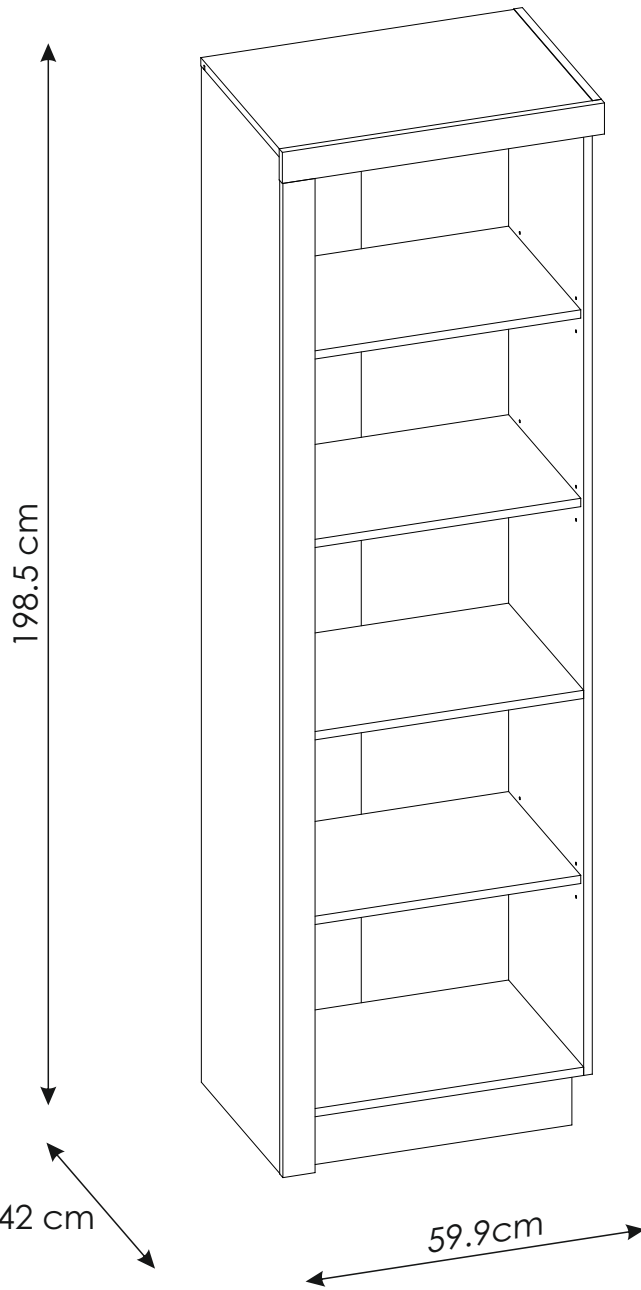
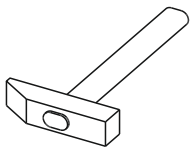
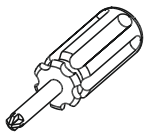
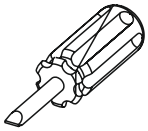
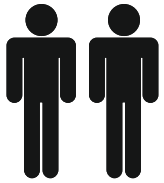
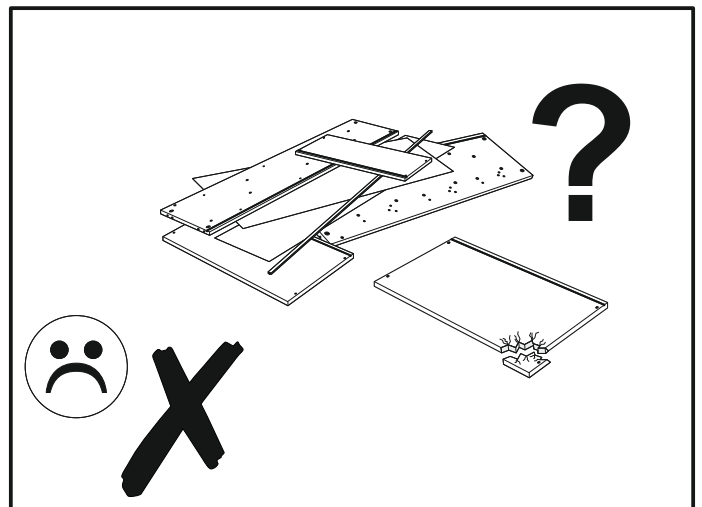
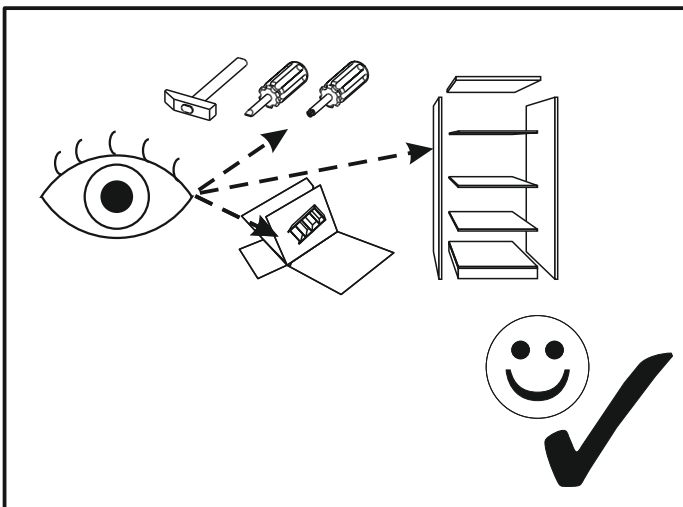
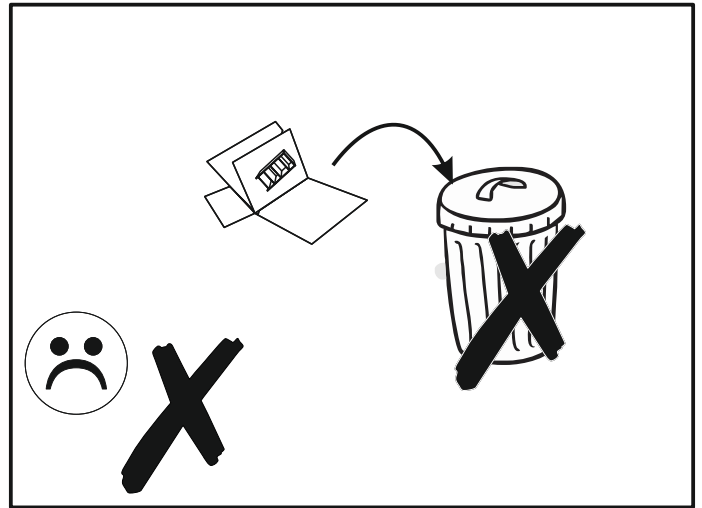
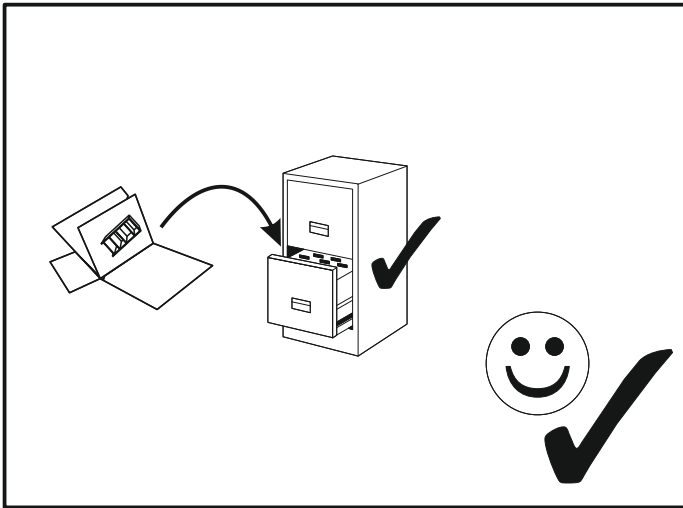
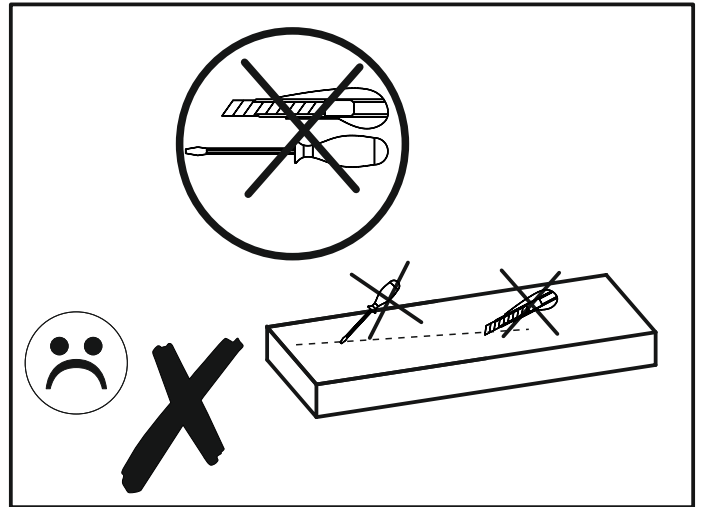
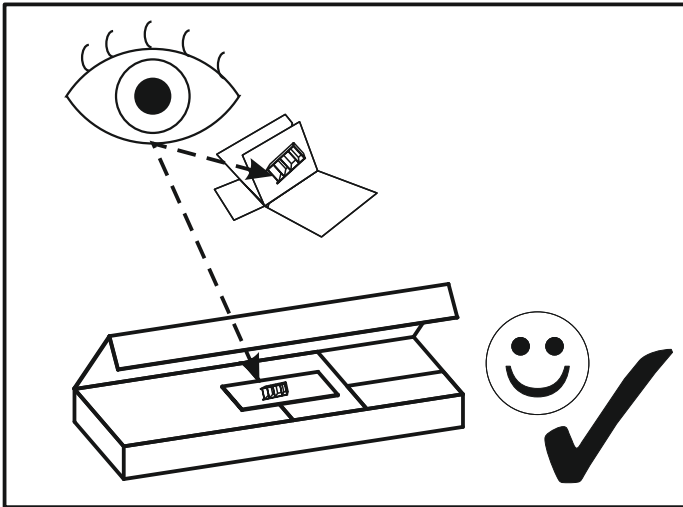
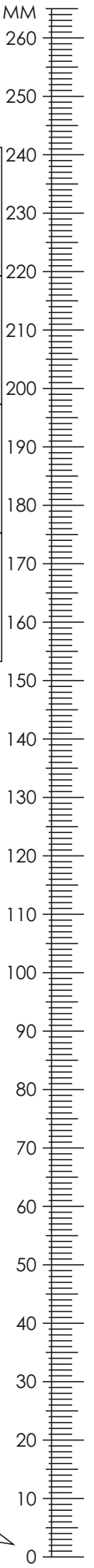
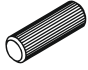
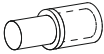
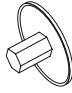

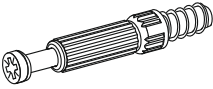

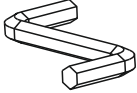
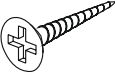
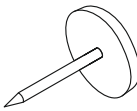
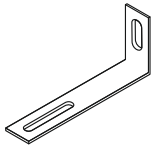
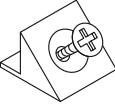
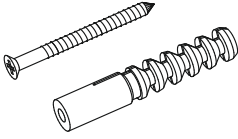
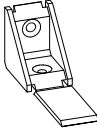
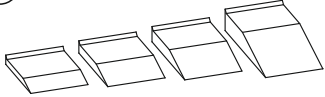


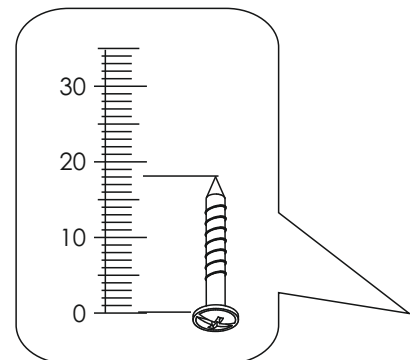
LEONARDO LYOR01 R

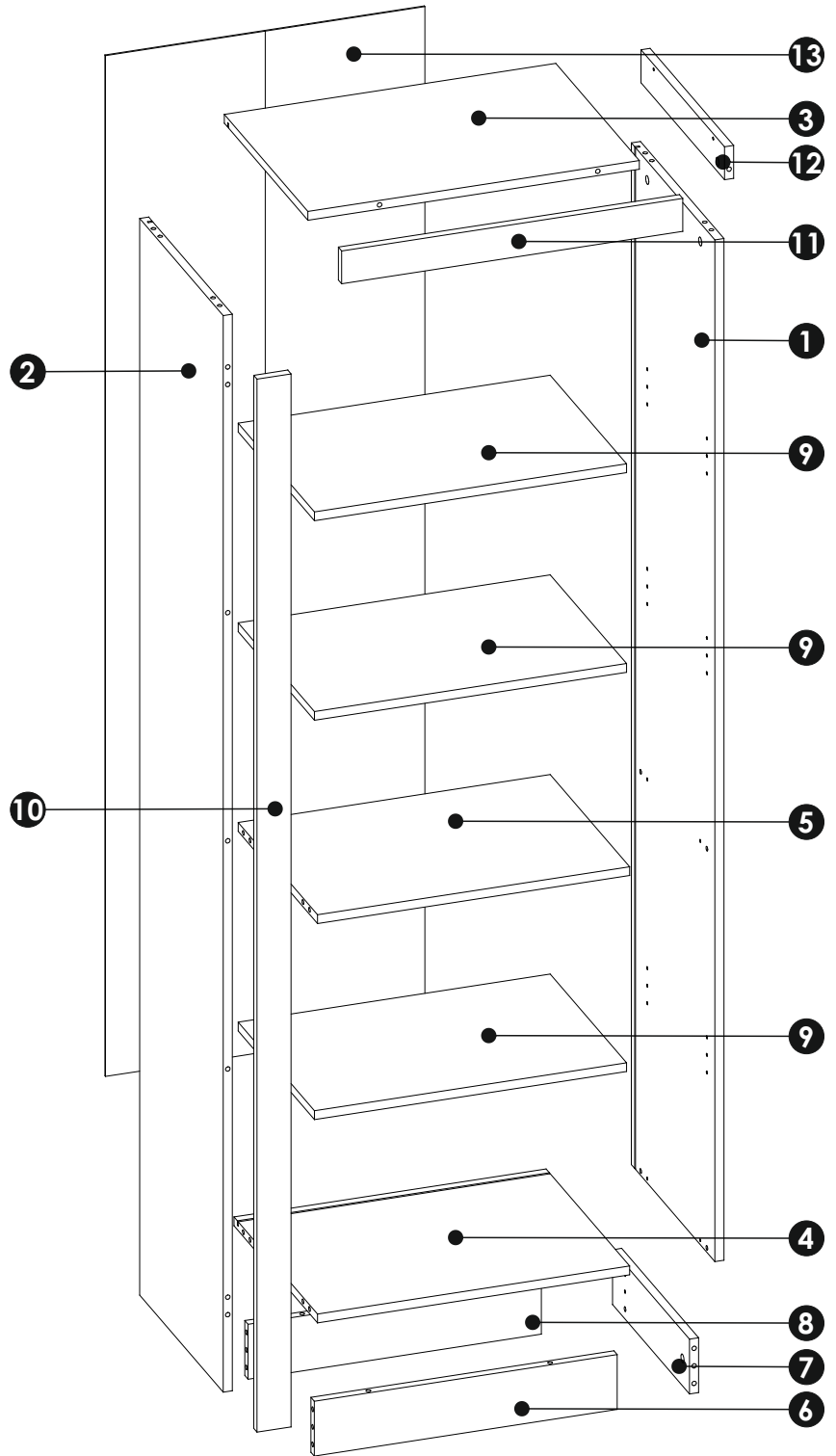
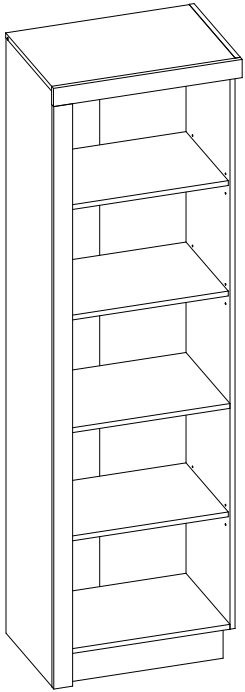




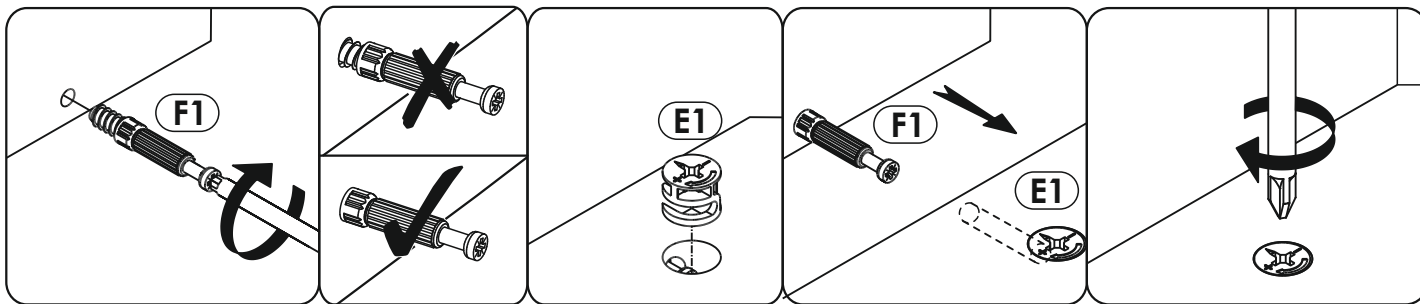


A1 8 x 35 mm x26 	D2 x12 	E0 x23 
E1 15 x 12 mm x26 	F1 6 x 34 mm x26 	I2 4 x 16 mm x1 
M x1 	N2 3.5 X 16 mm x8 	O2 x4 
Q9 x1 	R4 x12 	S13 x1 
W x4 	Z x1 	

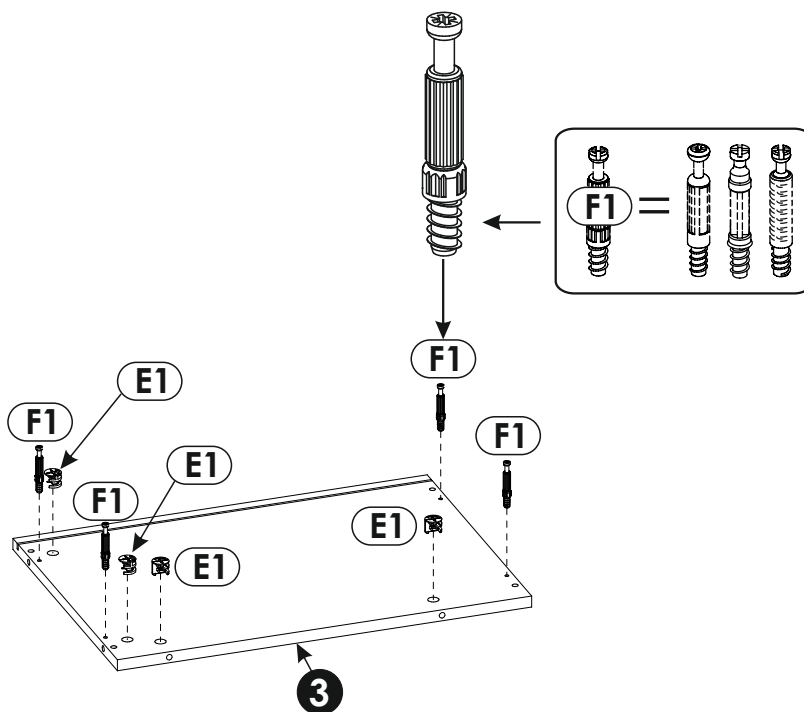




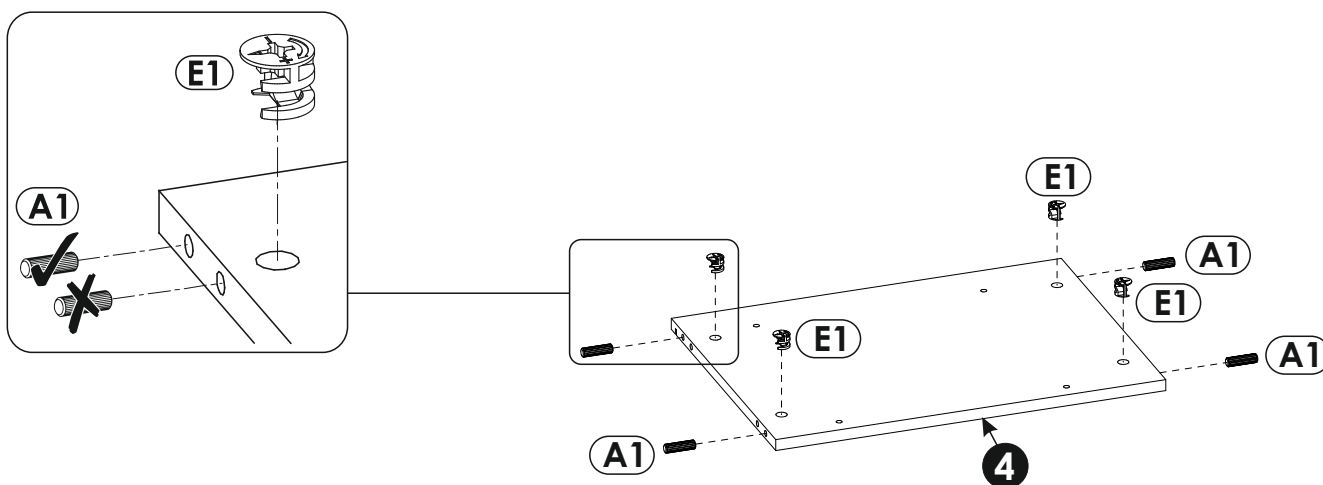
1	1863	404	6 x1 2/2
2	1963	404	6 x1 2/2
3	583	404	6 x1 1/2
4	549	404	6 x1 1/2
5	549	384	6 x1 1/2
6	533	100	6 x1 1/2
7	372	100	6 x1 1/2
8	516	100	6 x1 1/2
9	549	369	6 x3 1/2
10	1920	60	6 x1 2/2
11	600	60	6 x1 2/2
12	404	60	6 x1 2/2
13	1861	562	3 x1 2/2



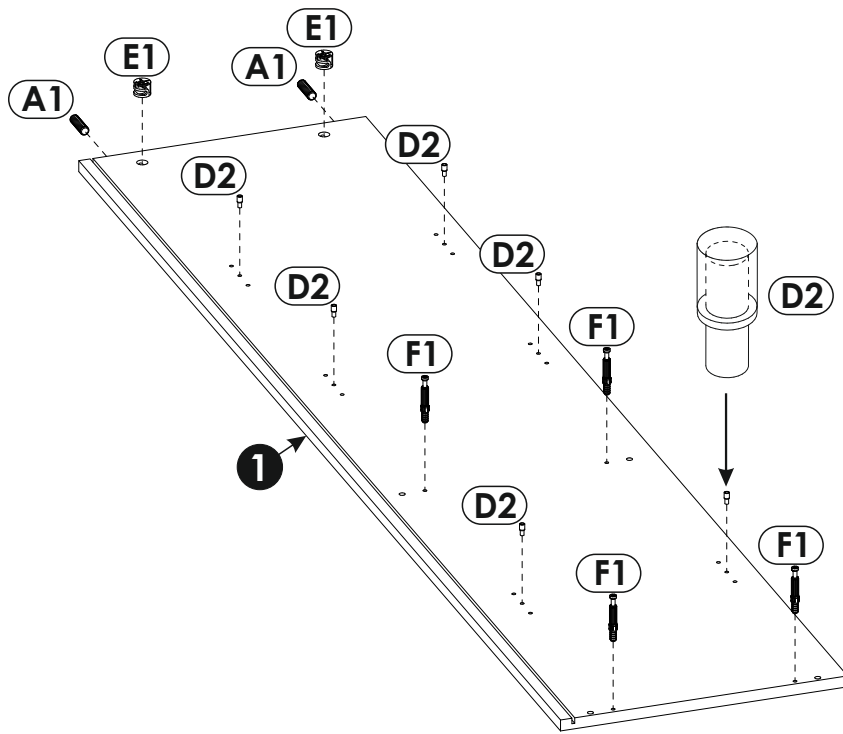
1 ▶



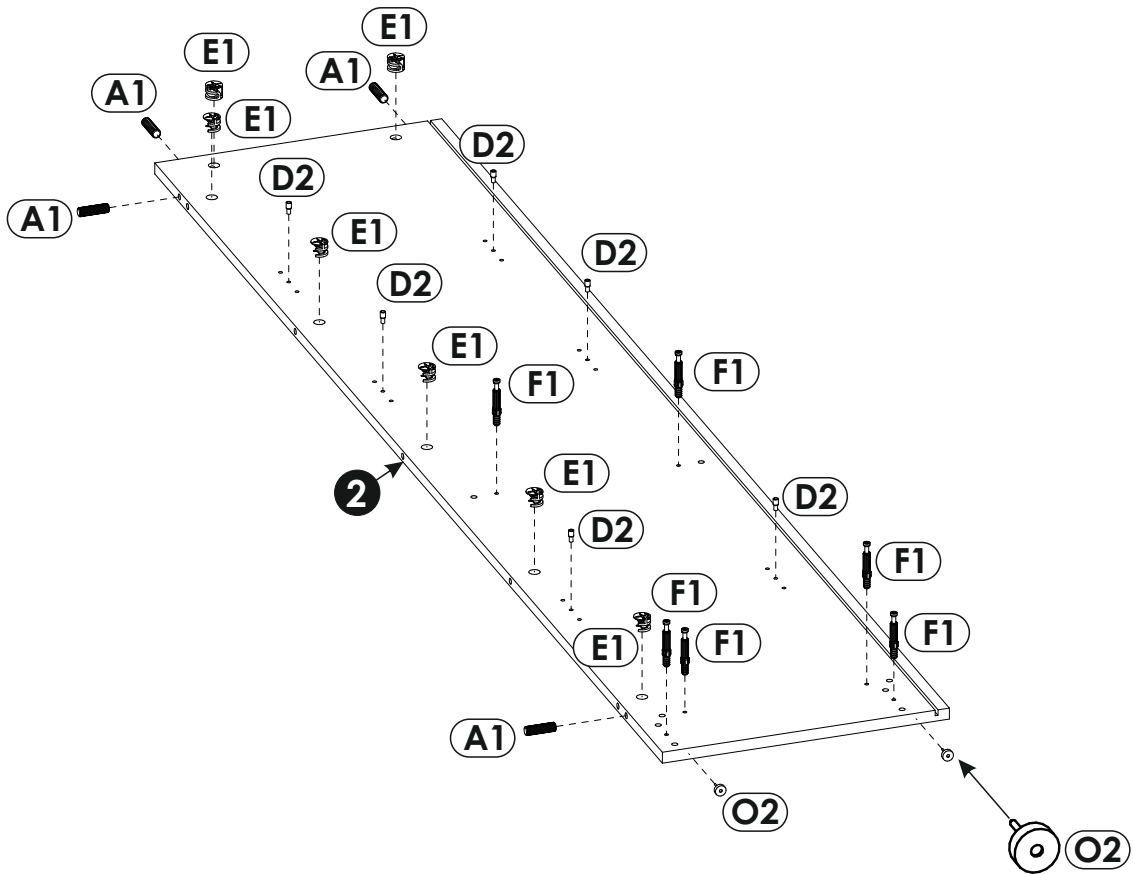
2 ▶



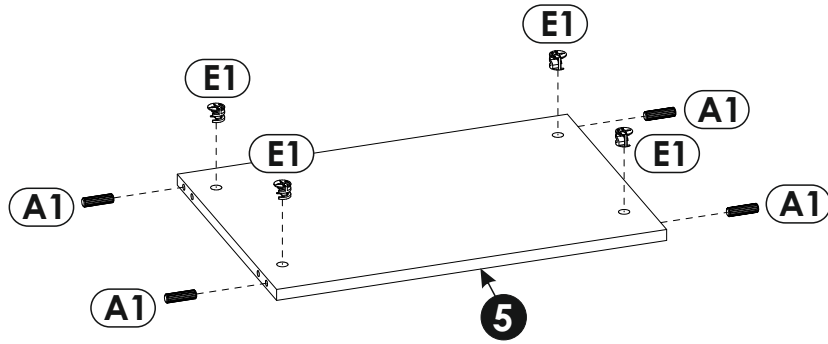
3 ▶



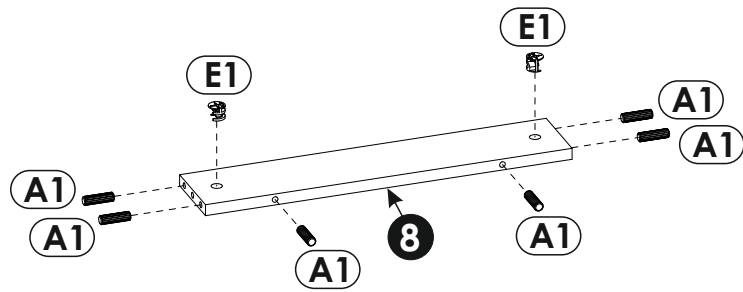
4 ▶



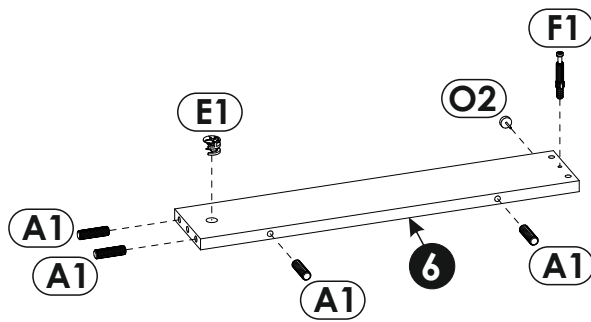
5 ▶



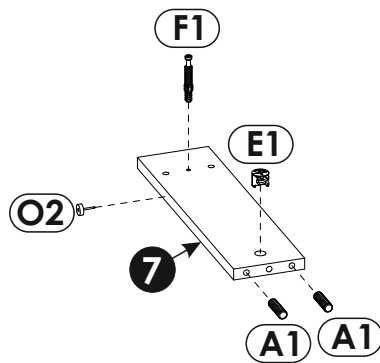
6 ▶



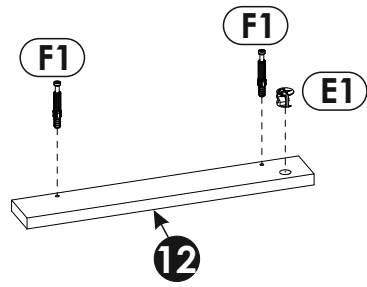
7 ▶



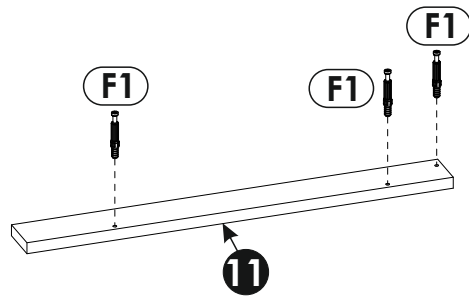
8 ▶



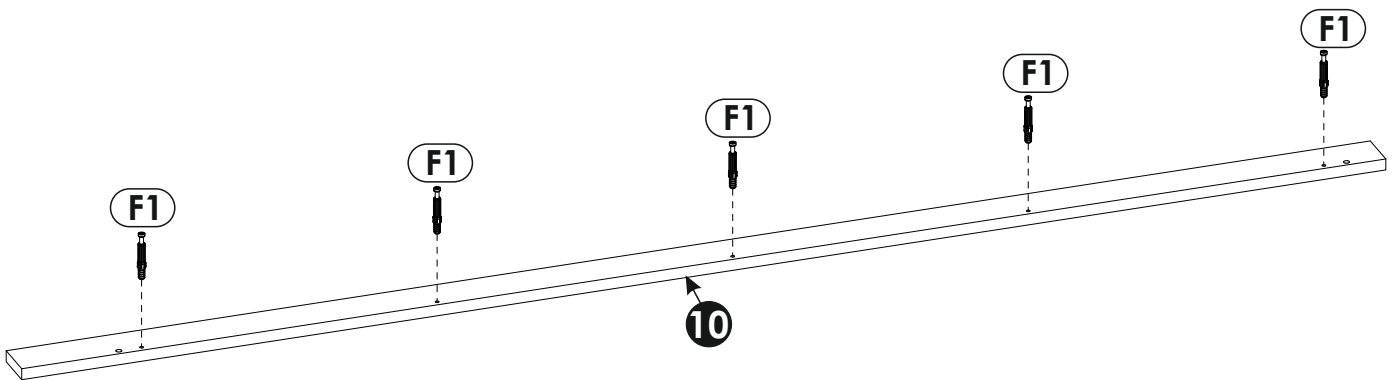
9 ▶



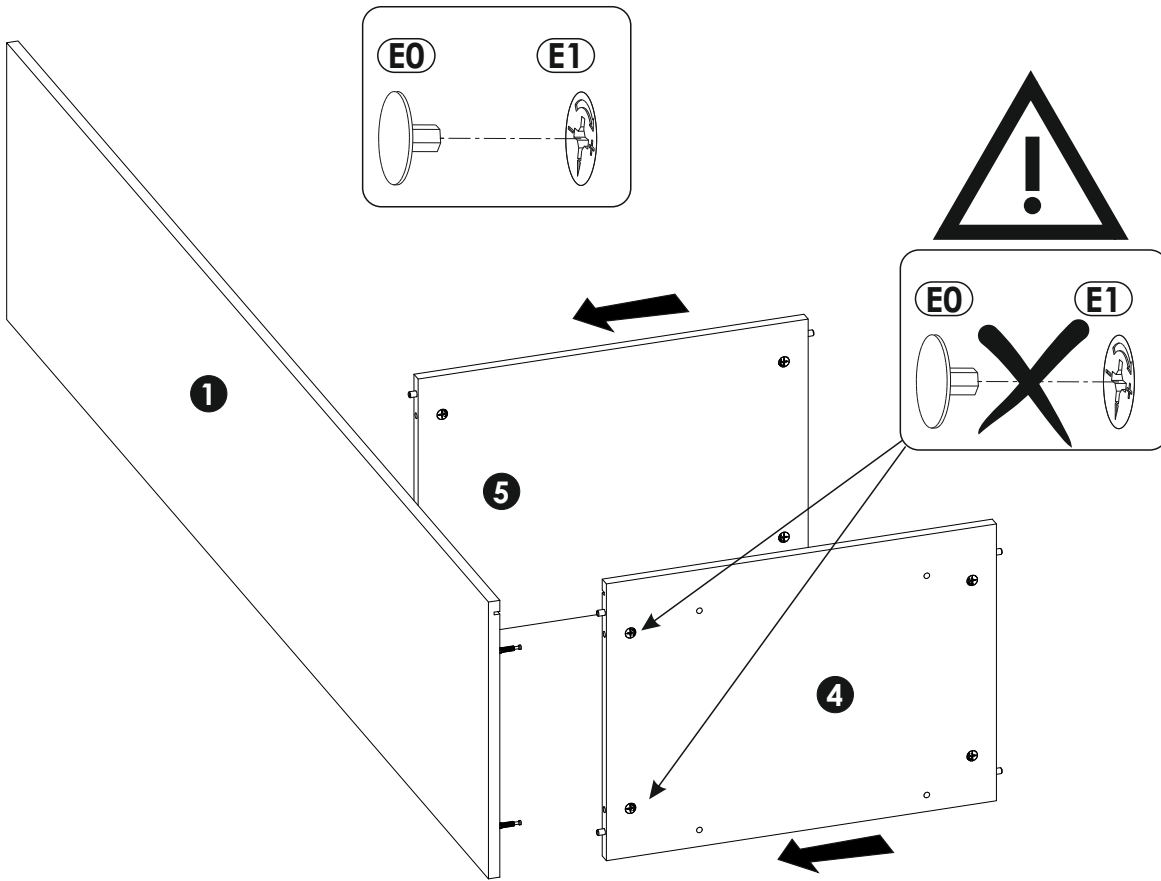
10 ▶



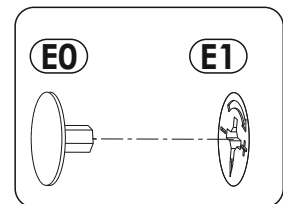
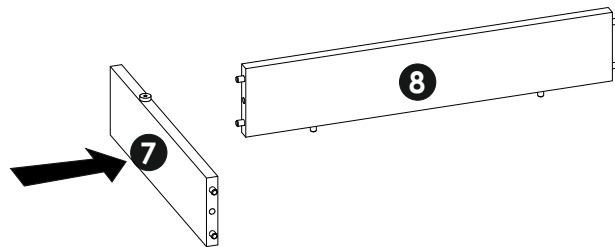
11 ▶



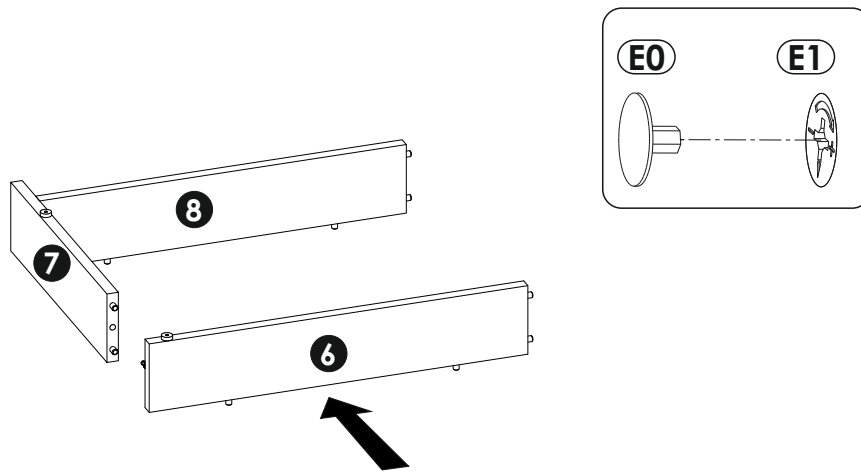
12▶



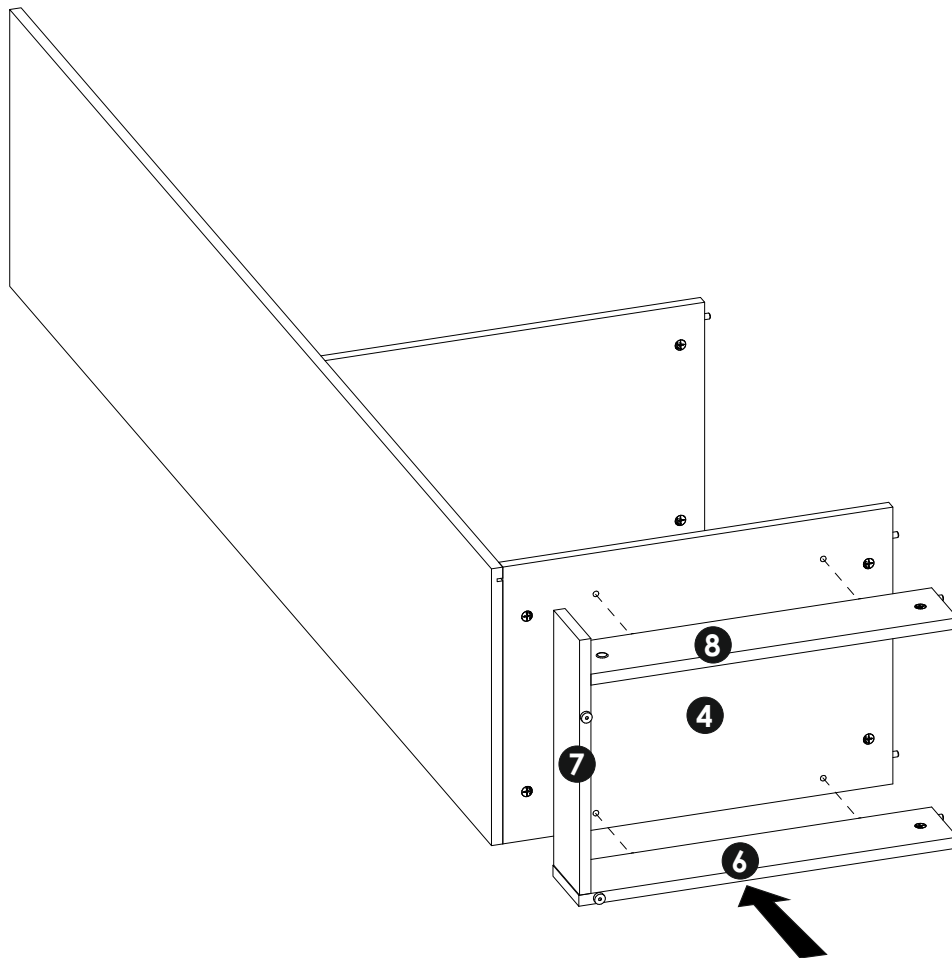
13▶



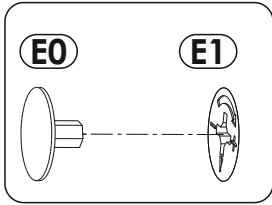
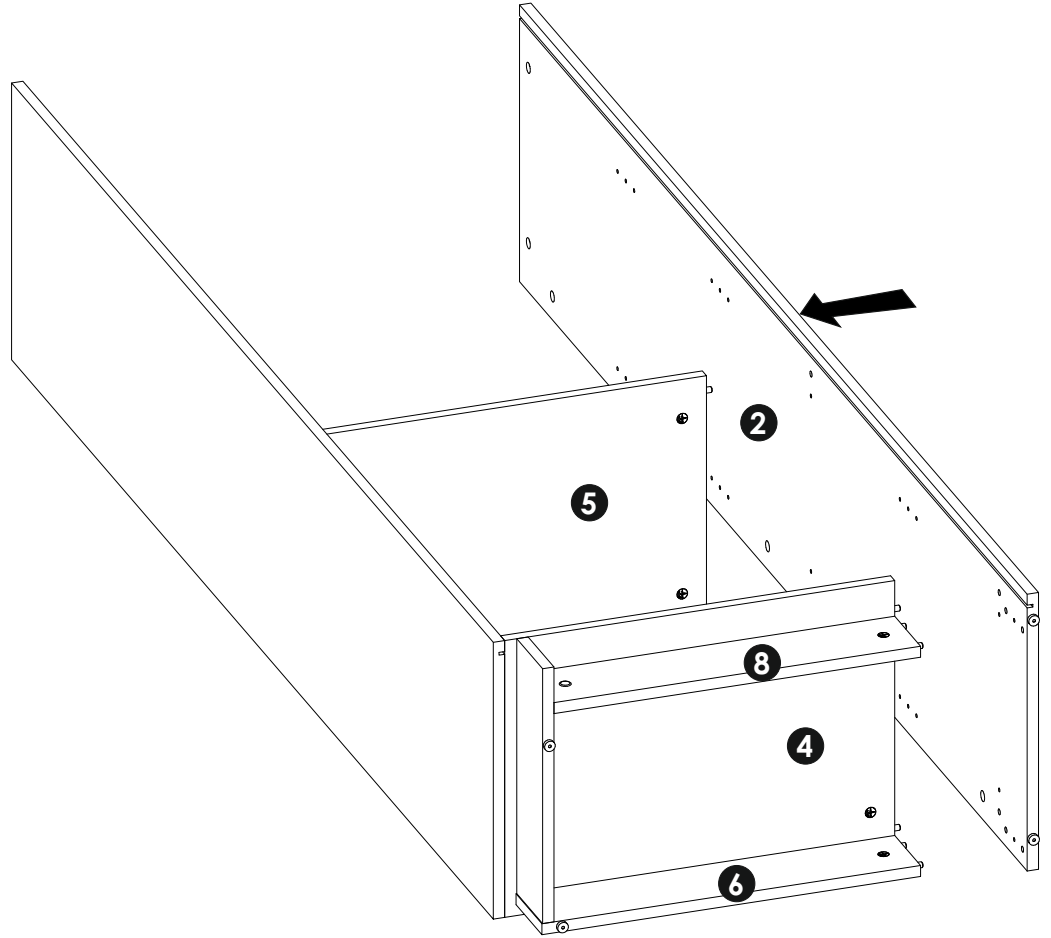
14▶



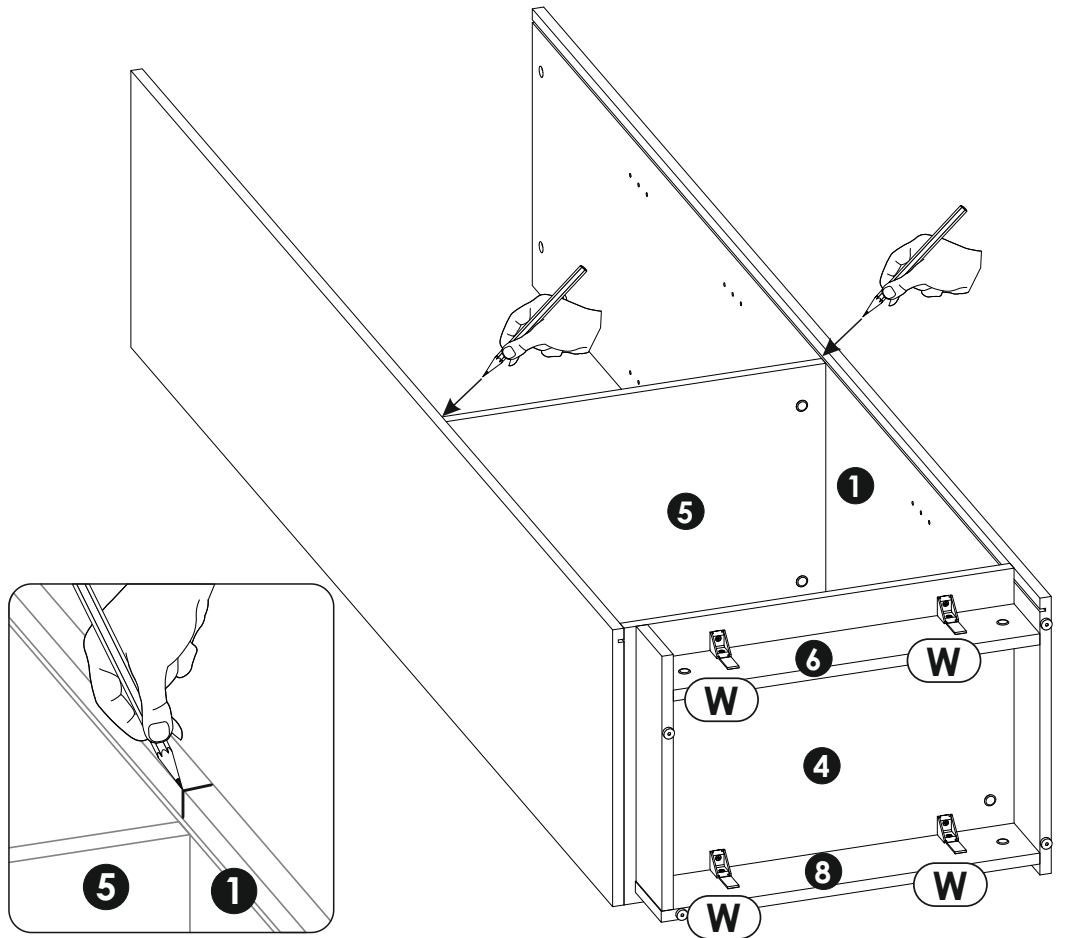
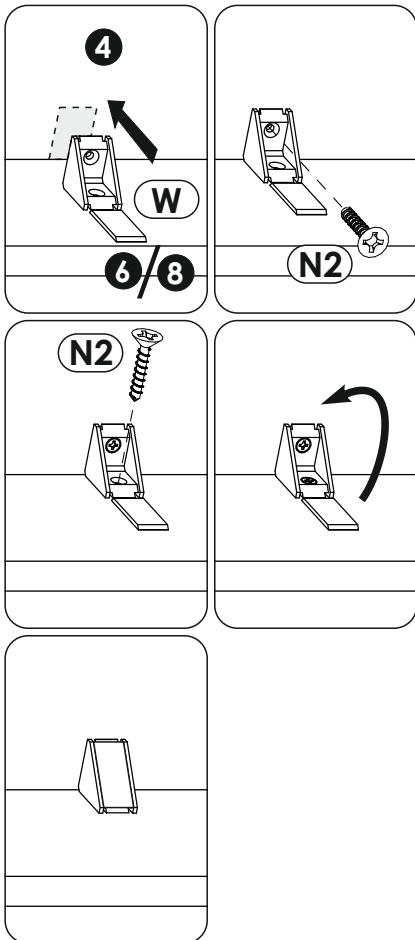
15▶



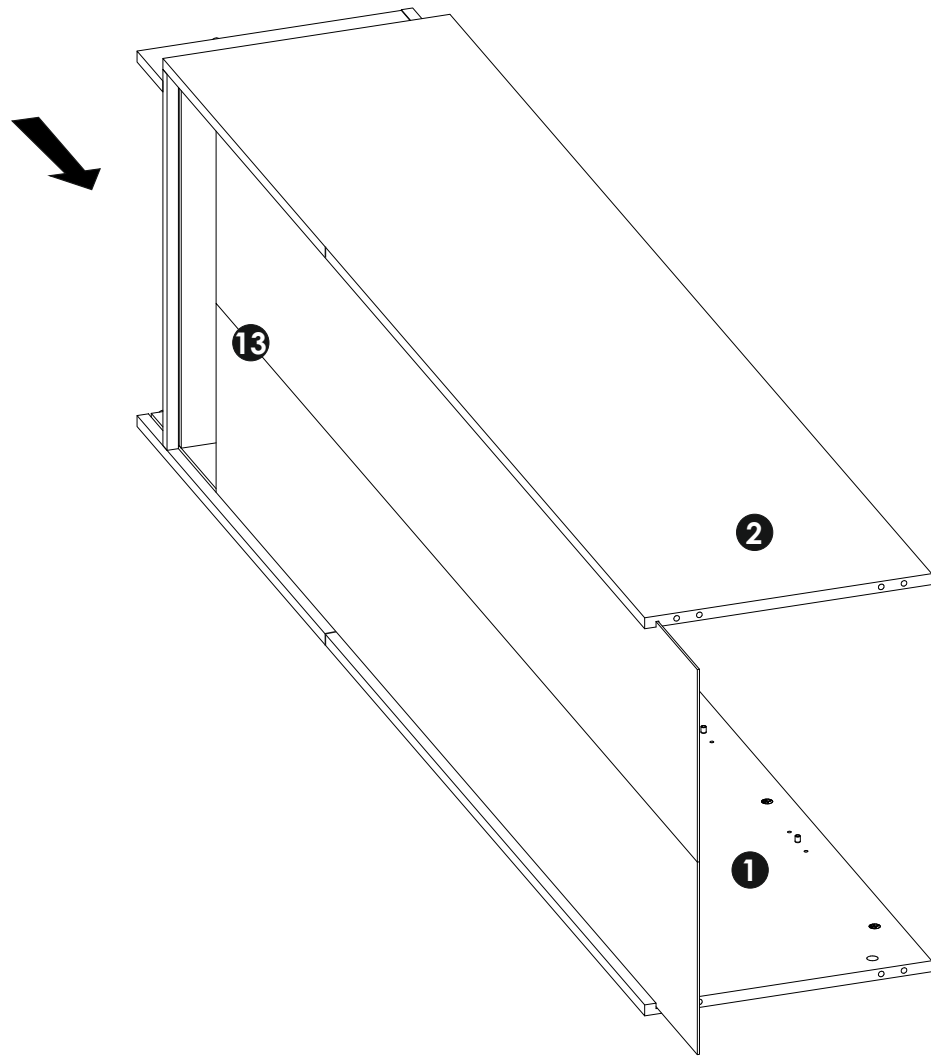
16 ▶



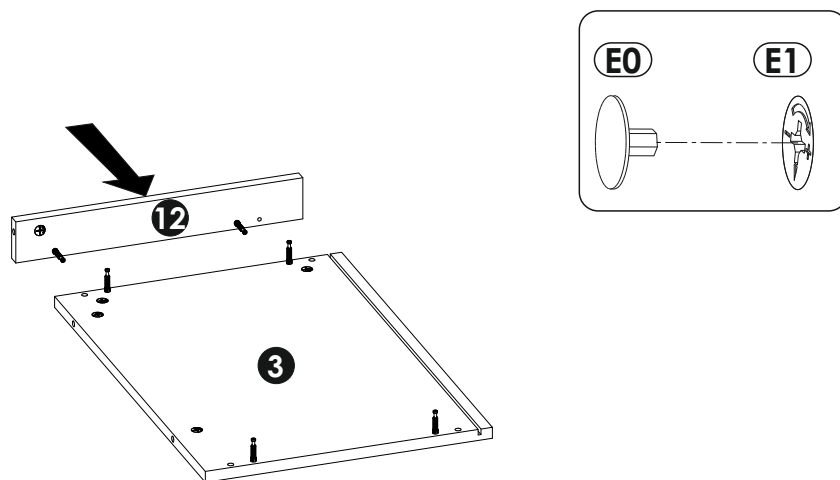
17 ▶



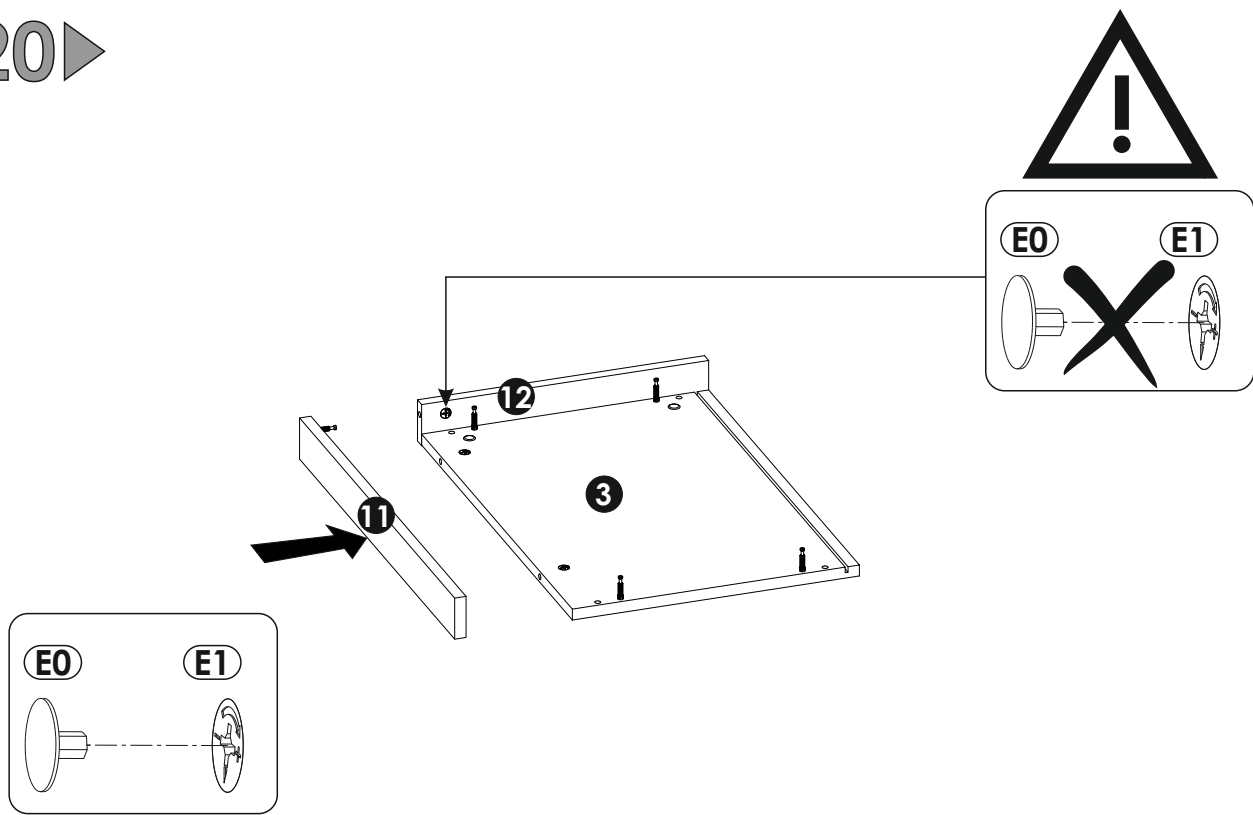
18▶



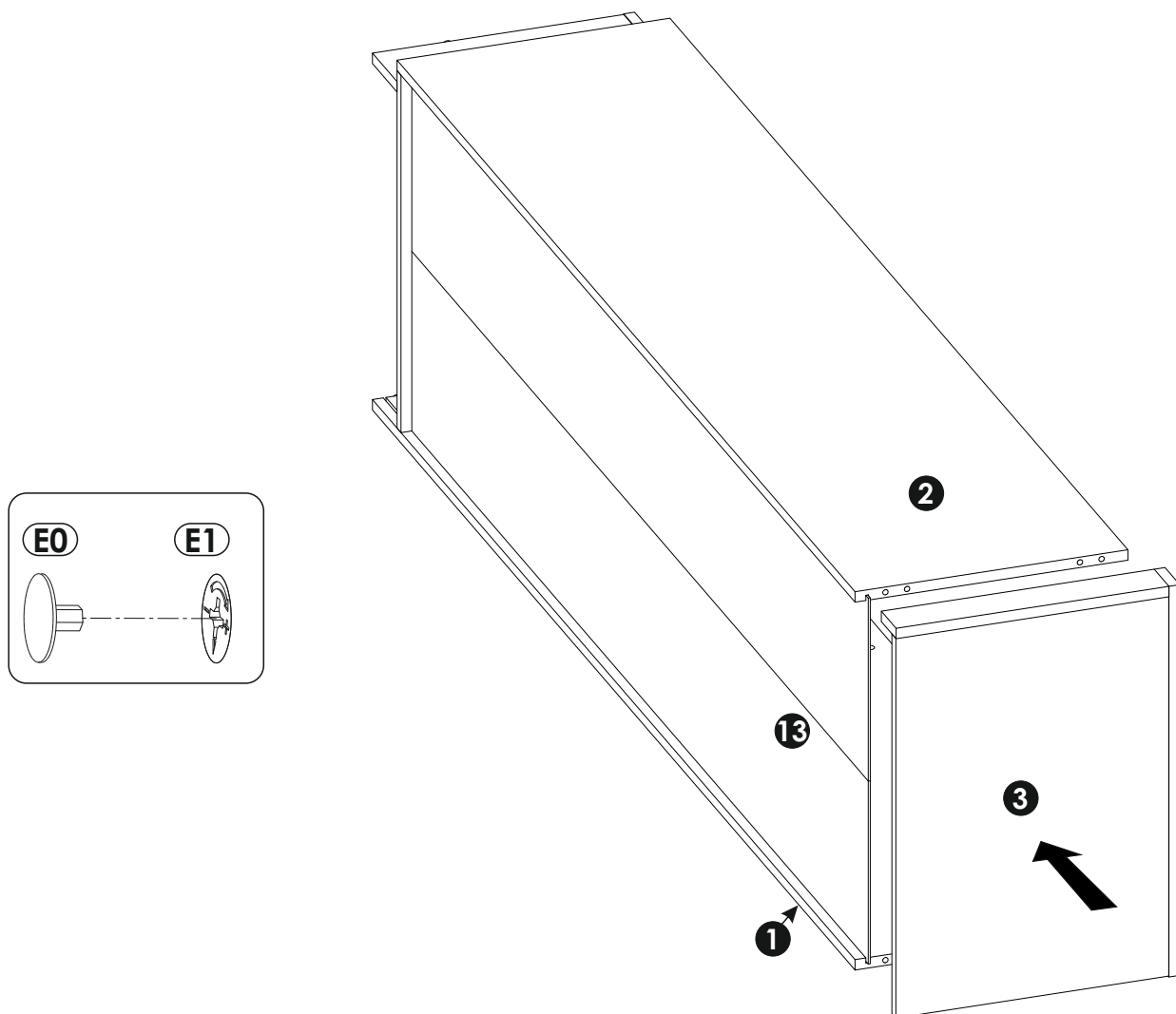
19▶



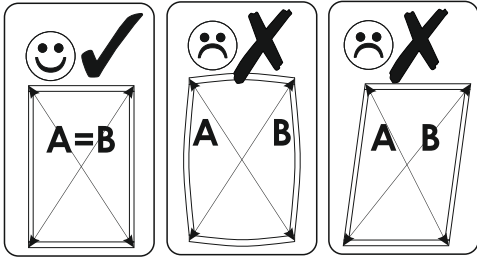
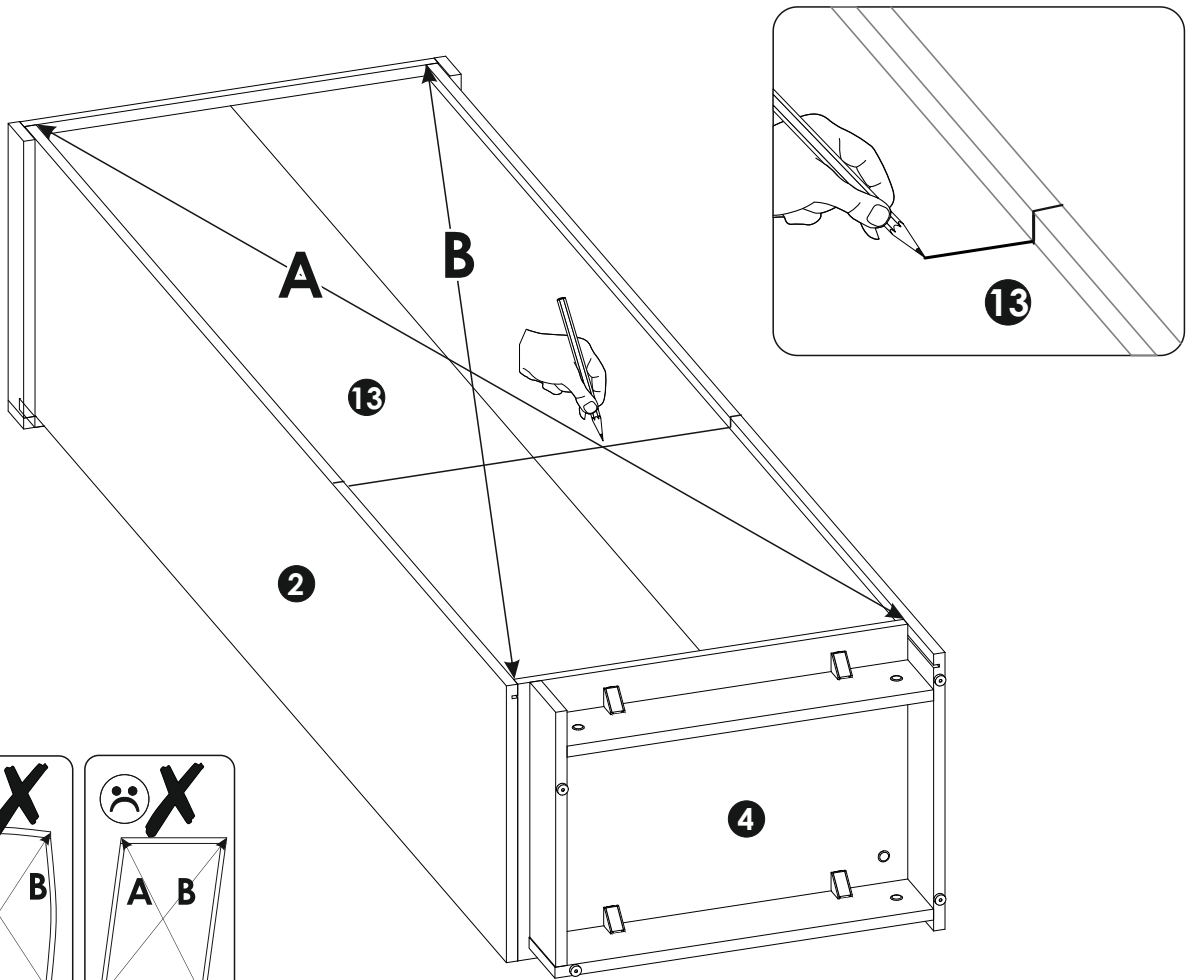
20 ▶



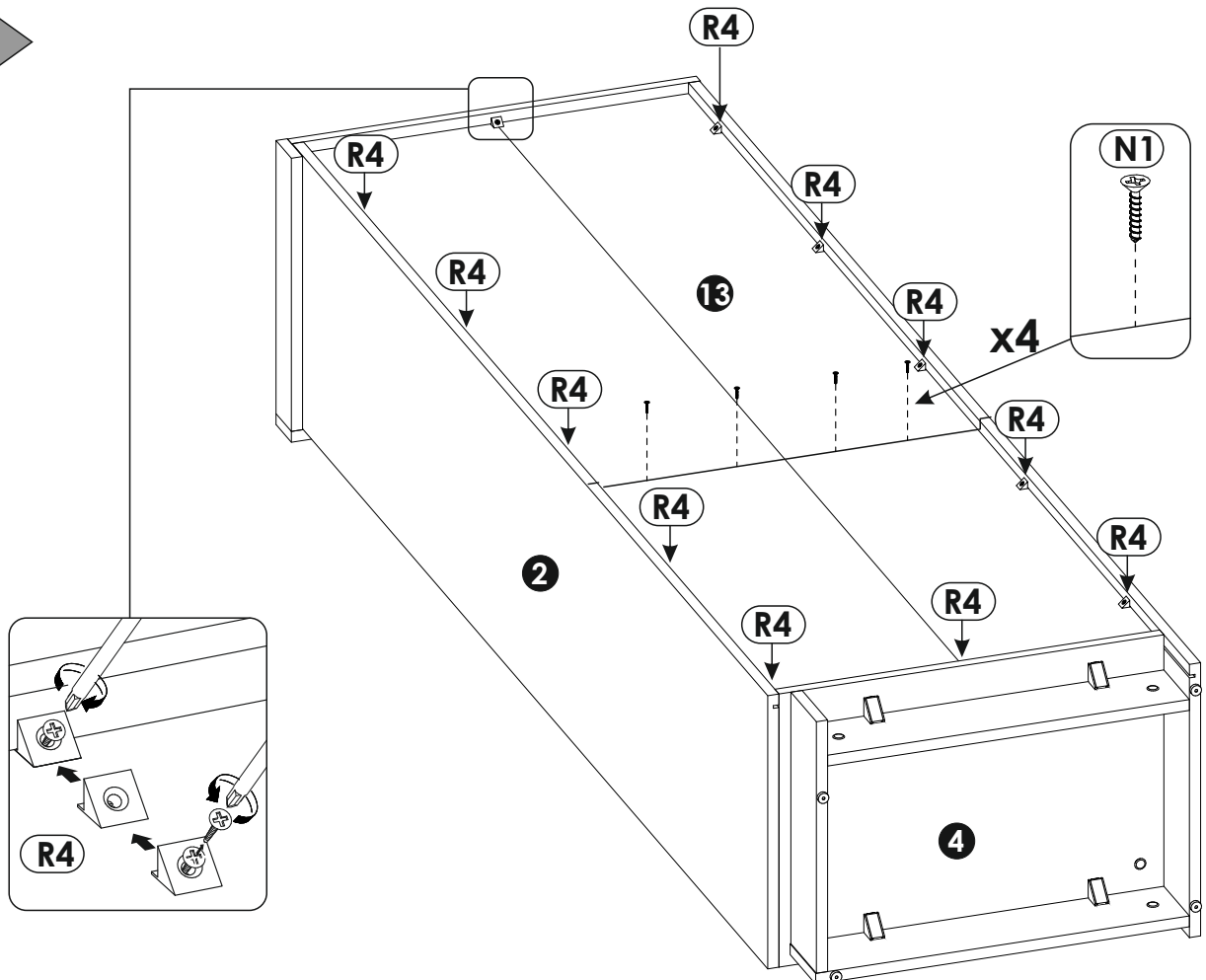
21 ▶



22 ▶



23 ▶



24 ▶

