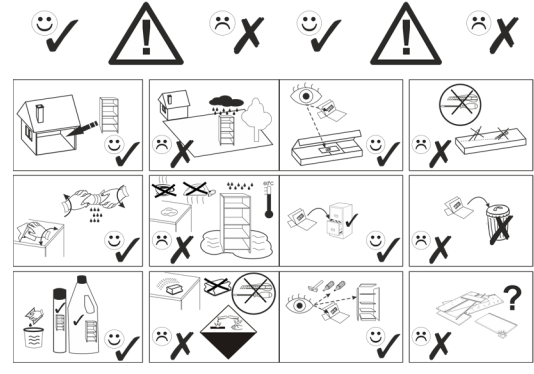
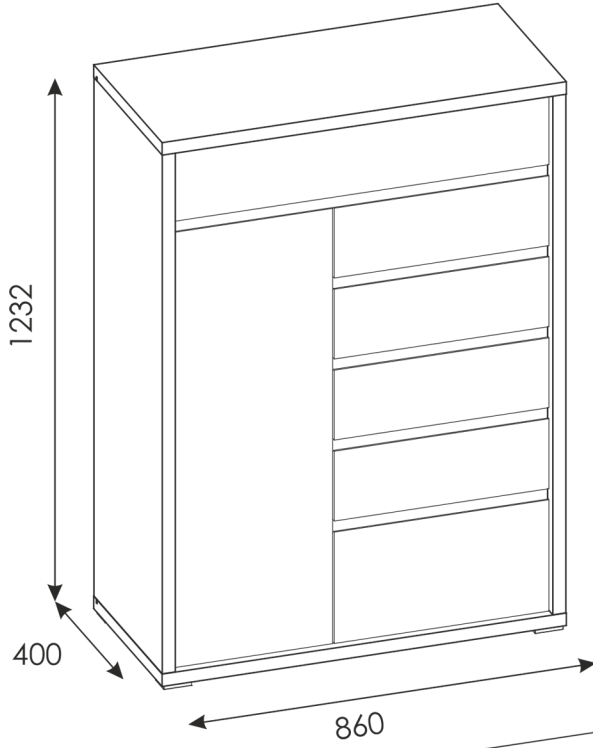
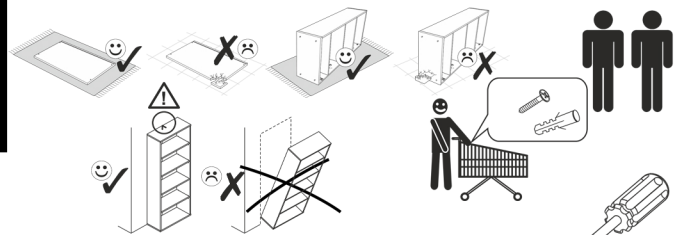
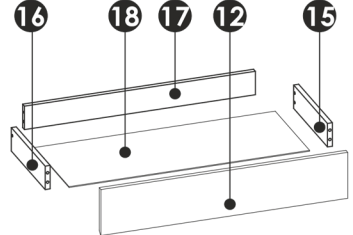
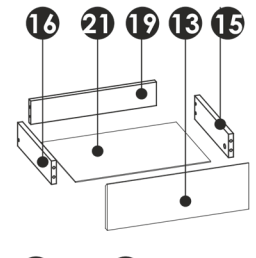
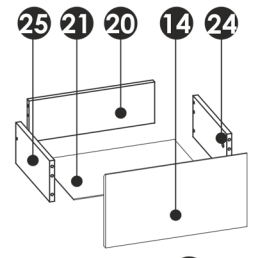
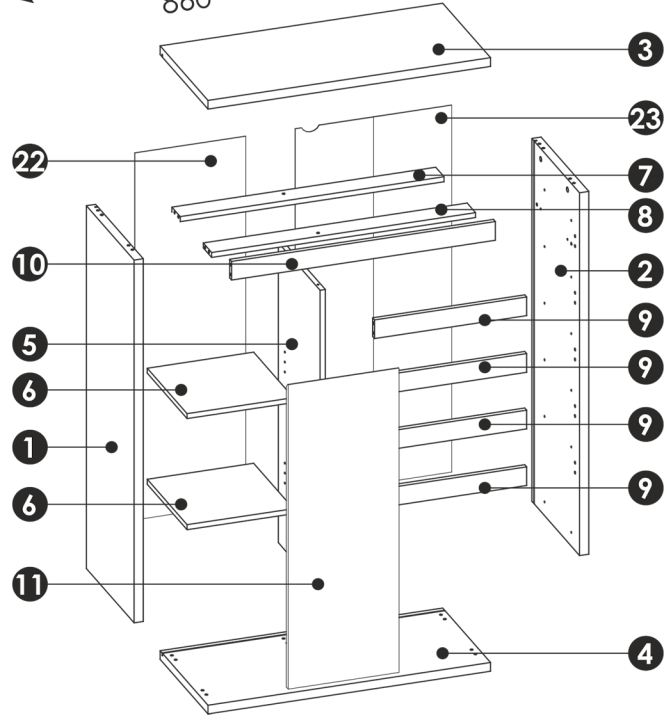


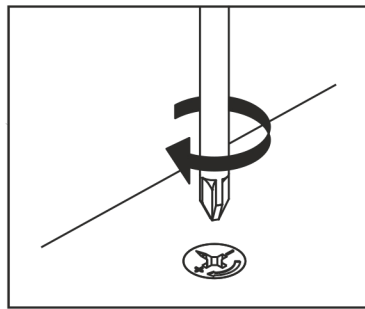
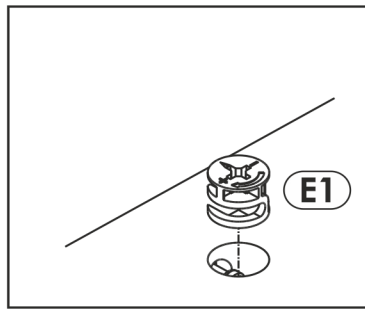
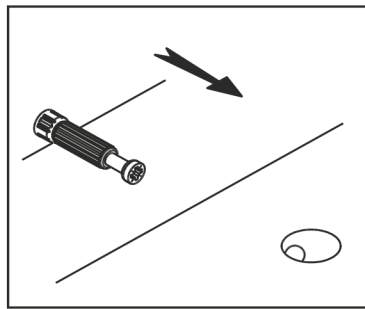
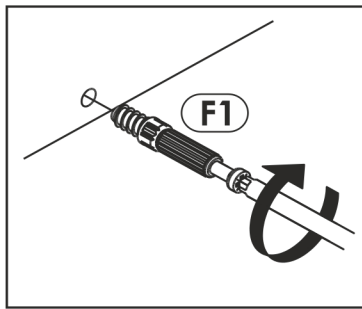
SHELDON - 32



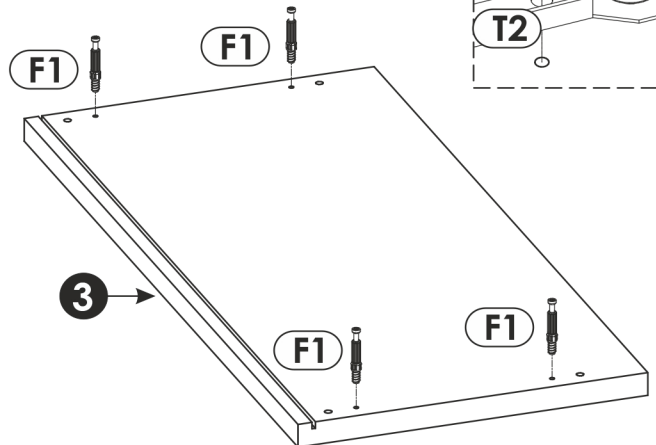
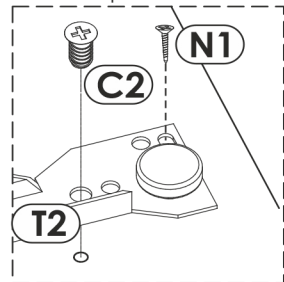
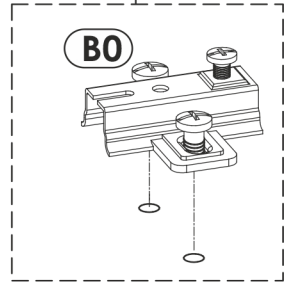
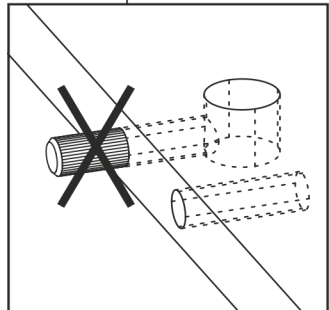
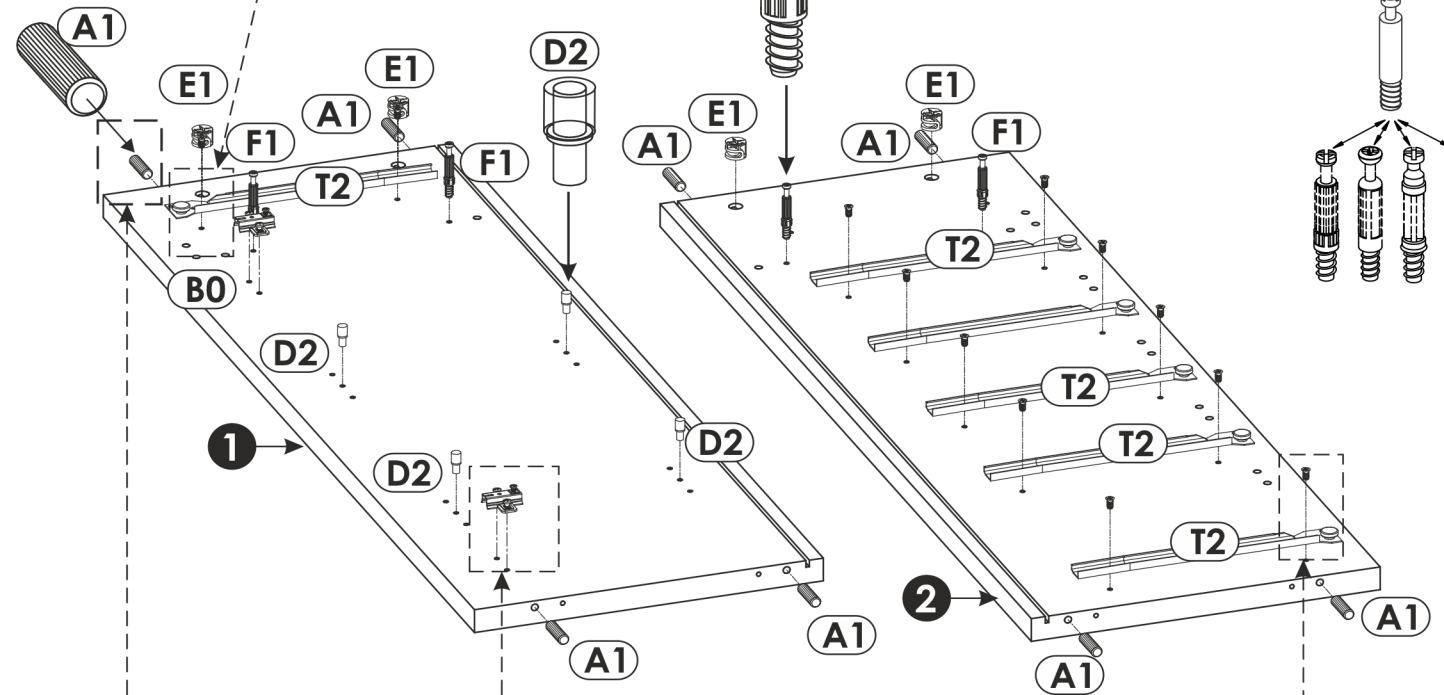
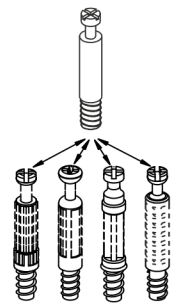
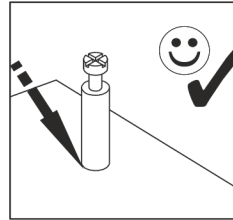
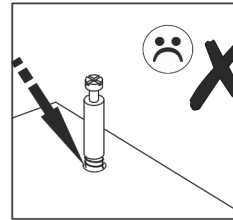
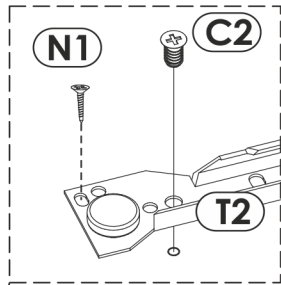
| | | |
|----------------------------|-----------------------------|------------------------|
| A1 x42 ø5 x 35mm | B0 x2 | B3 x2 |
| C1 x4 EURO 4 x 13mm | C2 x24 EURO 5 x 13mm | D2 x8 |
| E0 x20 | E1 20 ø15 x 12mm | F1 x20 |
| G0 x20 | G1 x14 ø7 x 50mm | G2 x6 ø7 x 60mm |
| I2 x1 4 x 16mm | J1 x34 US 3 x 20mm | M x1 |
| N1 x50 US 3 x 16mm | N2 x10 US 3.5 x 16mm | O15 x5 |
| Q9 x1 | R1 x4 | R4 x20 |
| RB x14 | T2 x6 | Z x1 |
| | L-300 | |



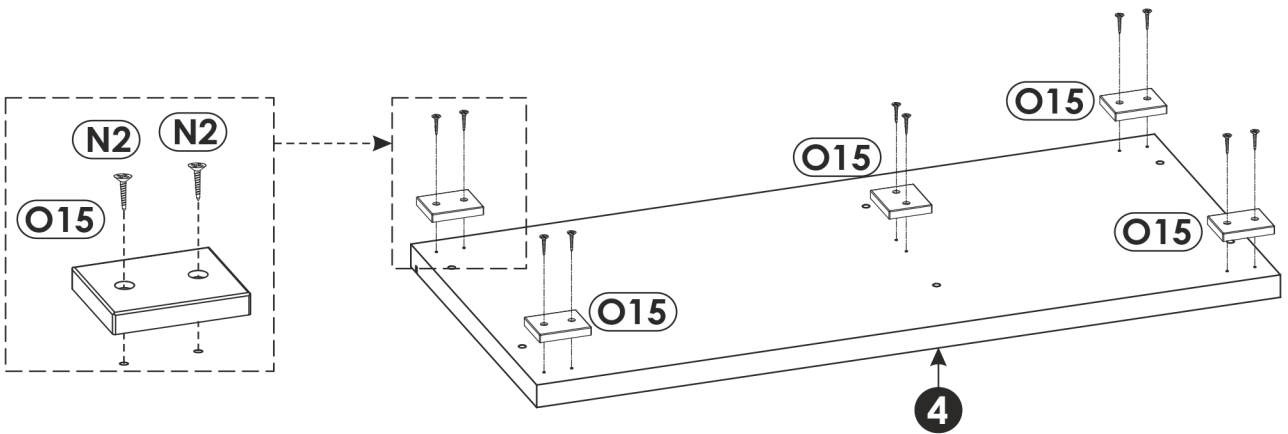
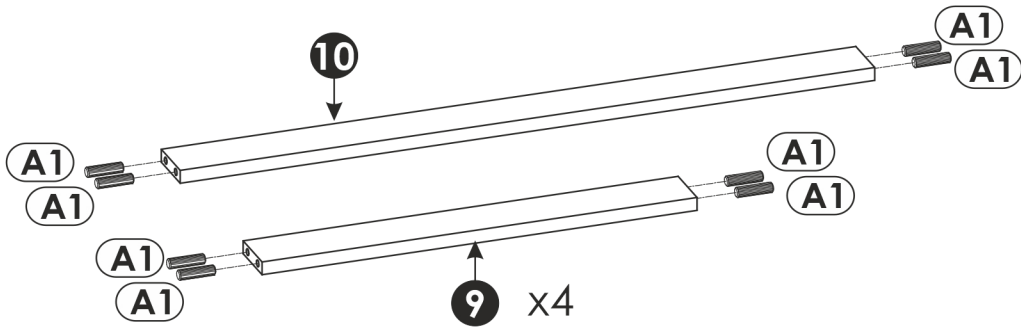
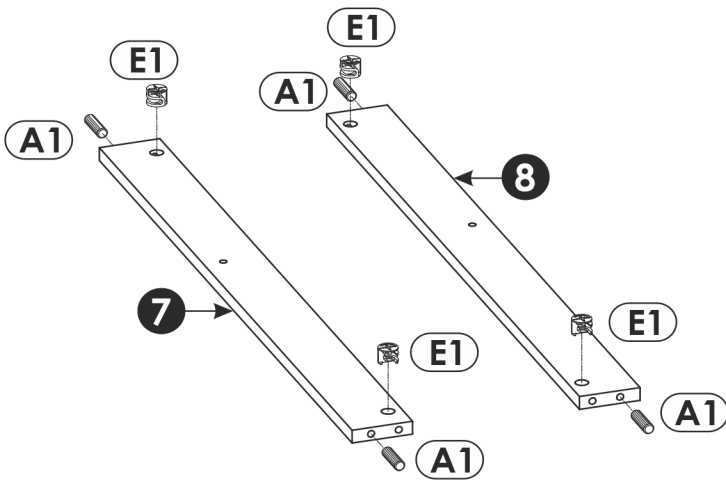
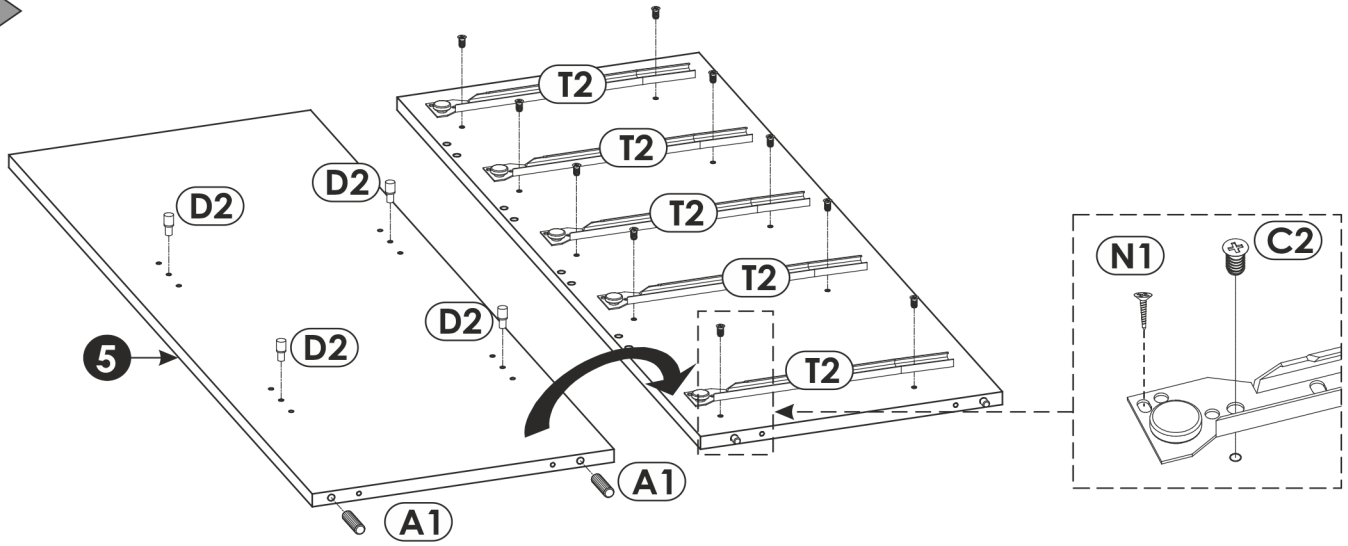
| | | | | | |
|-----------|------|-----|----|----|-----|
| 1 | 1166 | 399 | 28 | x1 | 2/2 |
| 2 | 1166 | 399 | 28 | x1 | 2/2 |
| 3 | 860 | 400 | 28 | x1 | 1/2 |
| 4 | 860 | 400 | 28 | x1 | 1/2 |
| 5 | 964 | 349 | 16 | x1 | 2/2 |
| 6 | 324 | 333 | 16 | x2 | 1/2 |
| 7 | 803 | 70 | 16 | x1 | 1/2 |
| 8 | 803 | 70 | 16 | x1 | 1/2 |
| 9 | 463 | 60 | 16 | x1 | 1/2 |
| 10 | 803 | 60 | 16 | x1 | 1/2 |
| 11 | 337 | 978 | 16 | x1 | 2/2 |
| 12 | 797 | 157 | 16 | x1 | 1/2 |
| 13 | 457 | 157 | 16 | x4 | 1/2 |
| 14 | 457 | 250 | 16 | x1 | 1/2 |
| 15 | 330 | 80 | 16 | x5 | 1/2 |
| 16 | 330 | 80 | 16 | x5 | 1/2 |
| 17 | 746 | 80 | 16 | x1 | 2/2 |
| 18 | 777 | 305 | 3 | x1 | 2/2 |
| 19 | 406 | 80 | 16 | x4 | 2/2 |
| 20 | 406 | 140 | 16 | x1 | 2/2 |
| 21 | 437 | 335 | 3 | x5 | 1/2 |
| 22 | 1179 | 338 | 3 | x1 | 2/2 |
| 23 | 1179 | 476 | 3 | x1 | 2/2 |
| 24 | 330 | 140 | 16 | x1 | 2/2 |
| 25 | 330 | 140 | 16 | x1 | 2/2 |



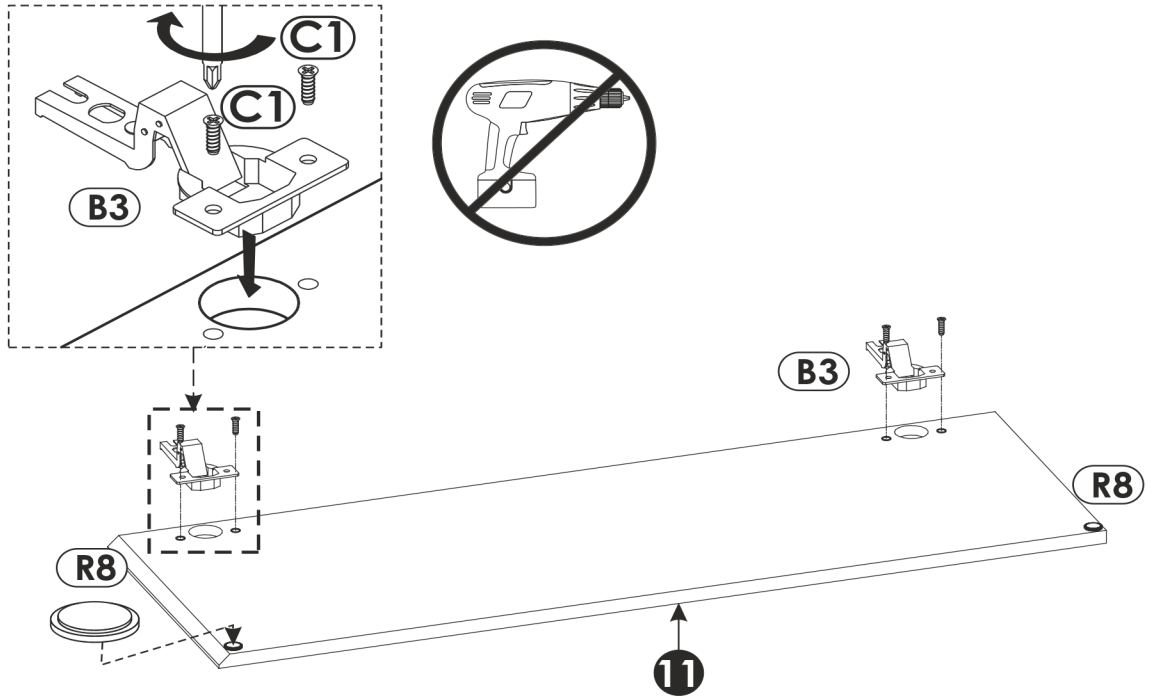
1 ▶



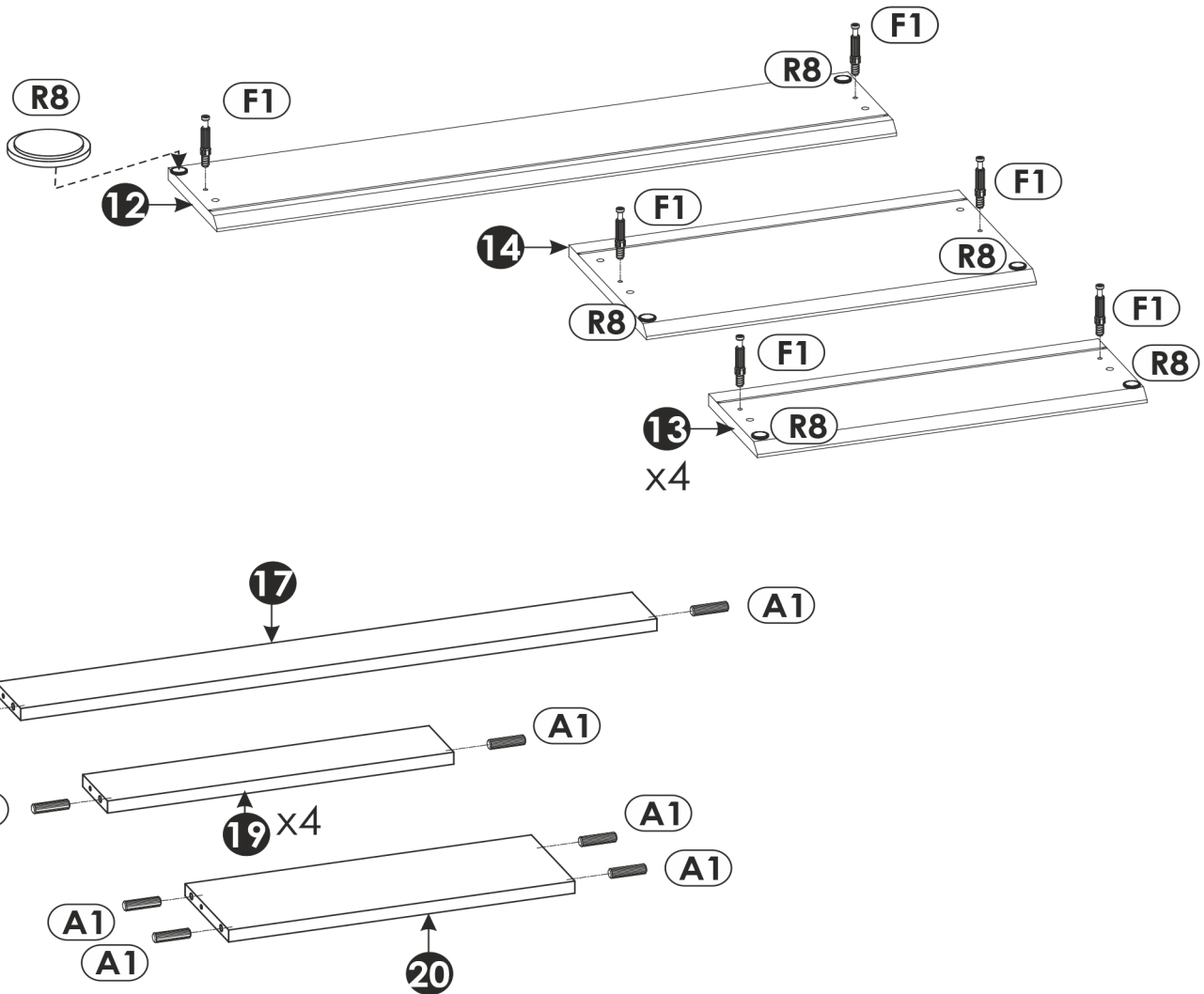
2 ▶



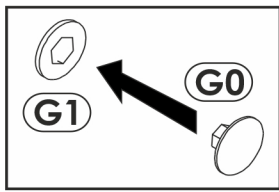
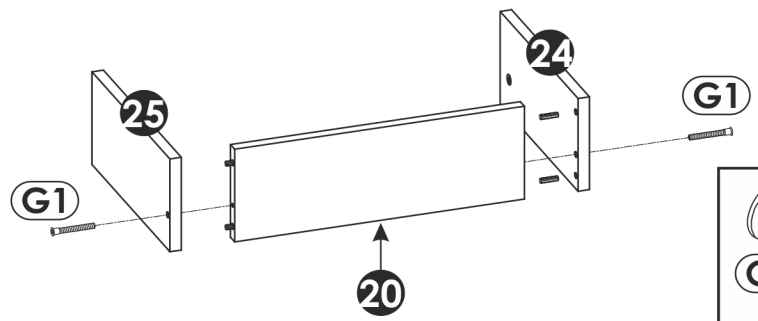
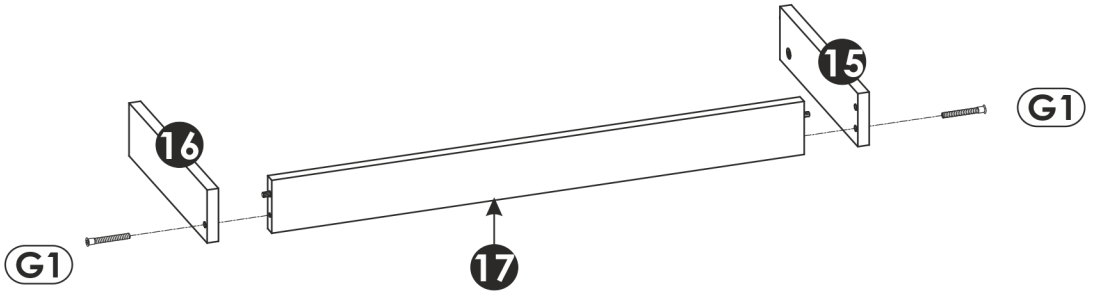
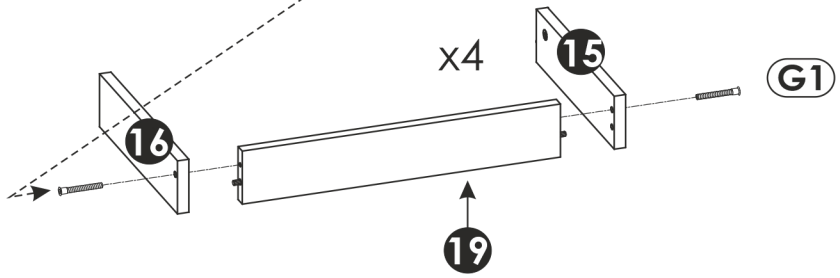
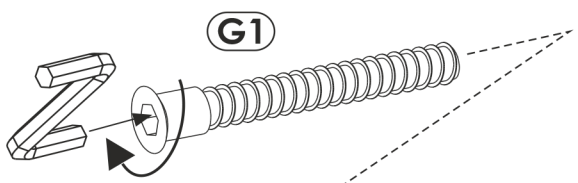
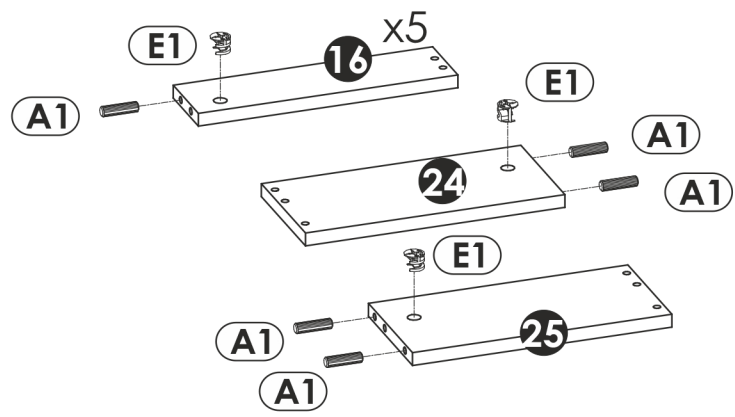
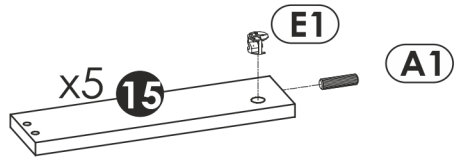
3 ▶

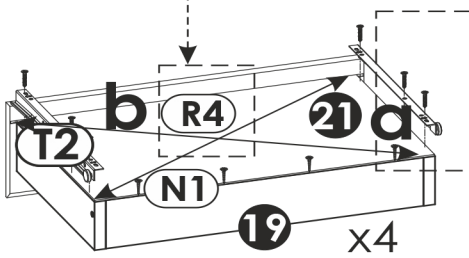
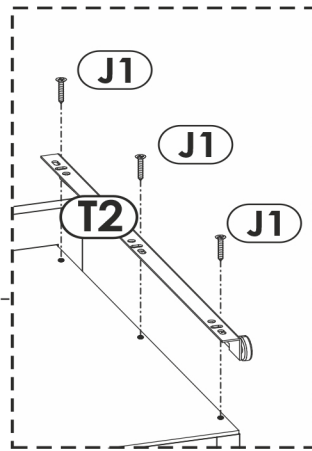
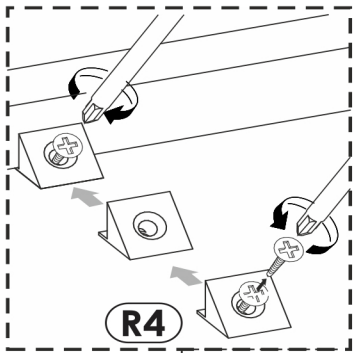
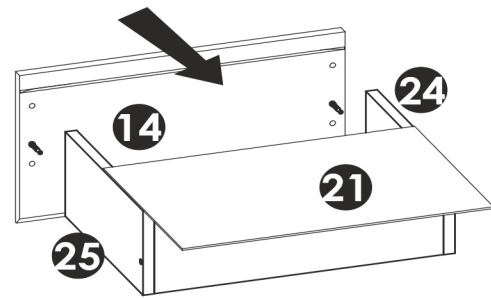
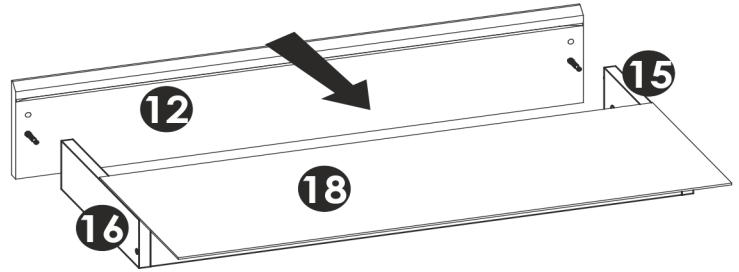
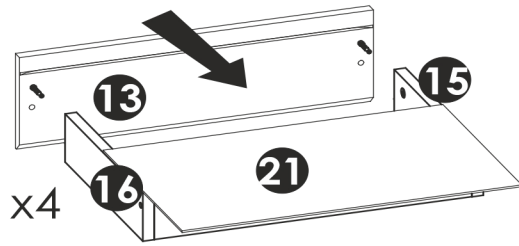


4 ▶

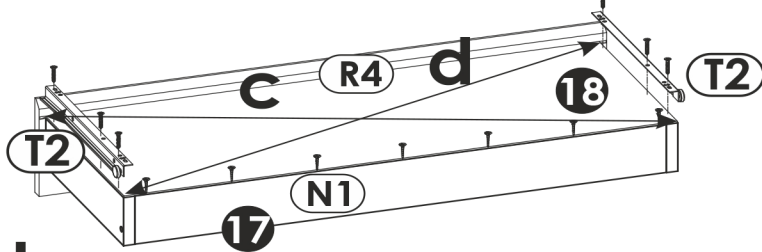


5 ▶

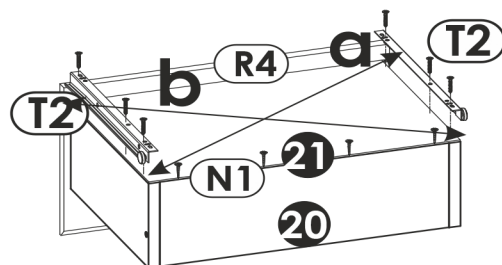




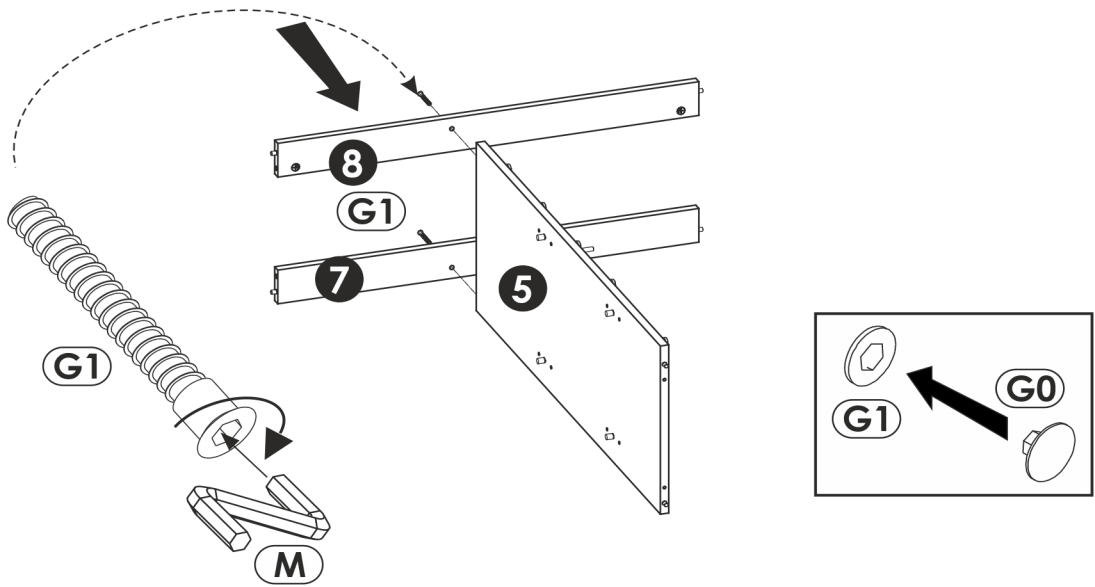
$a=b$



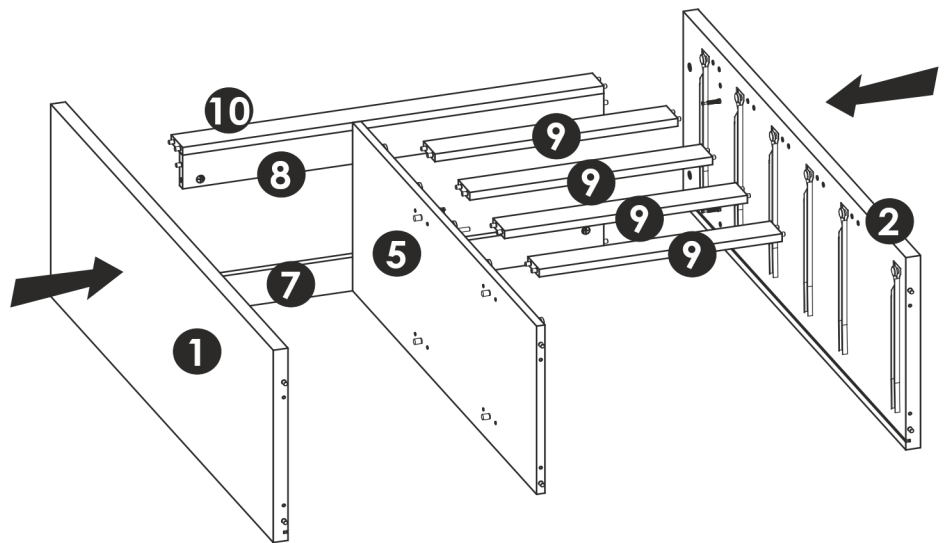
$c=d$



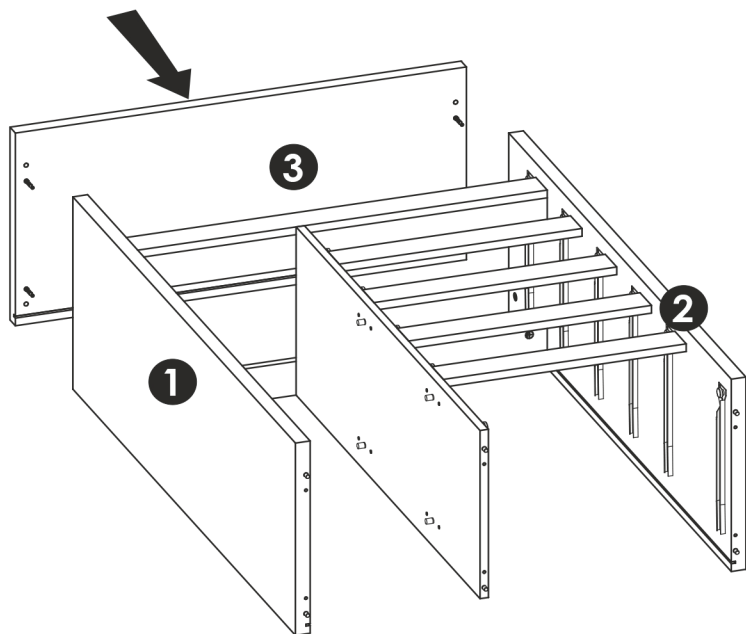
7 ▶



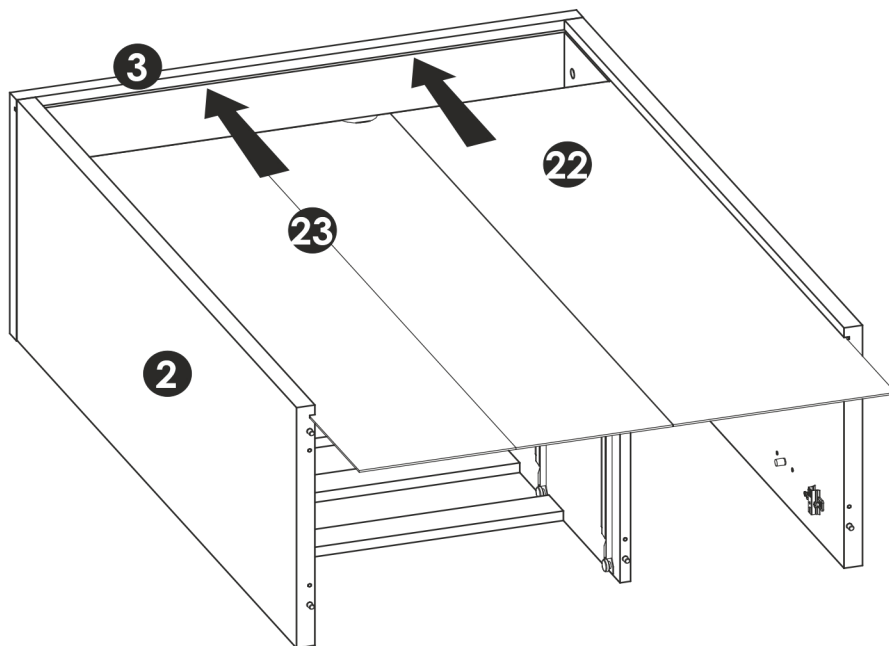
8 ▶



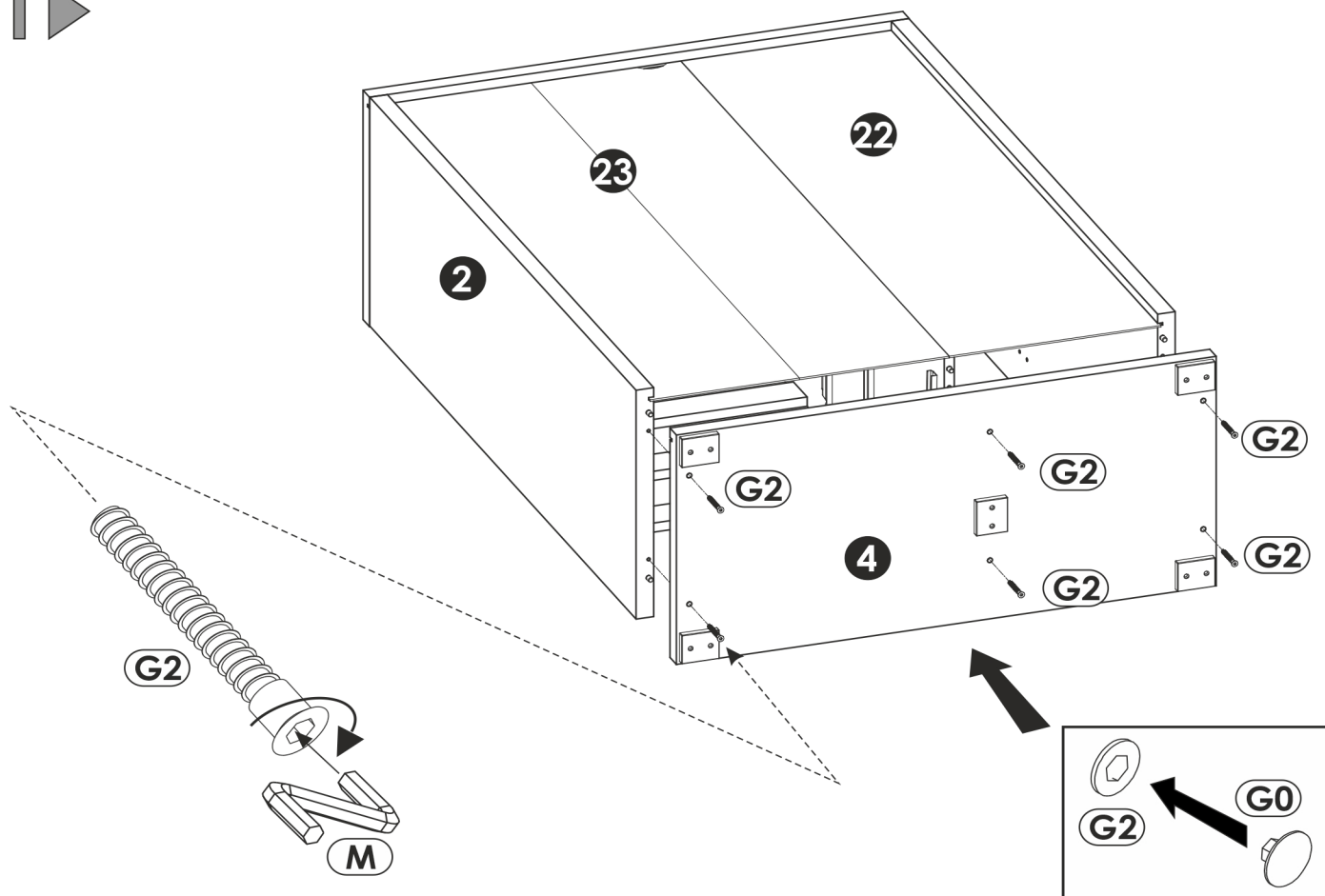
9 ▶



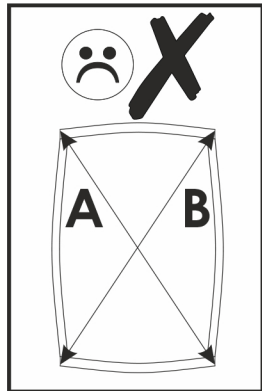
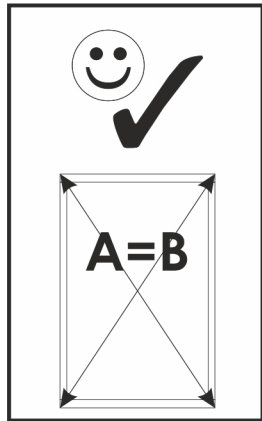
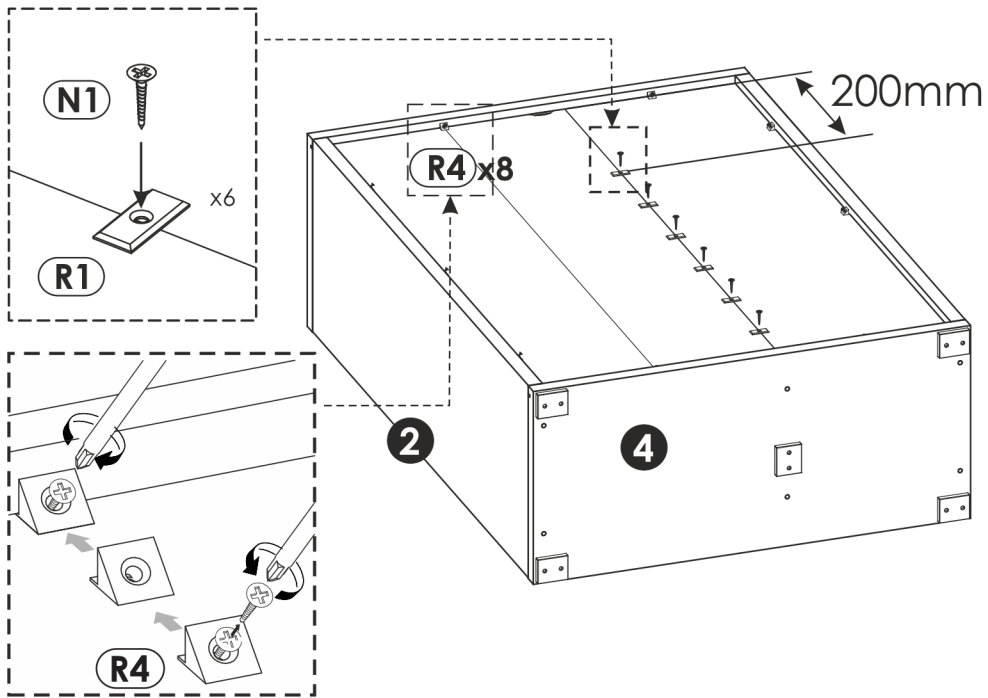
10 ▶



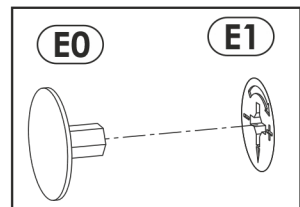
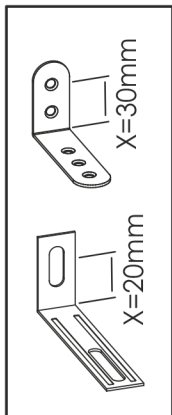
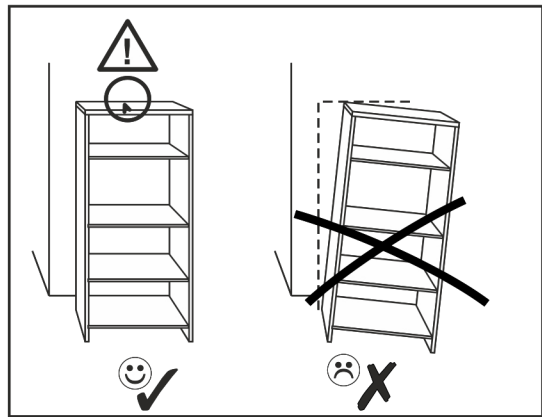
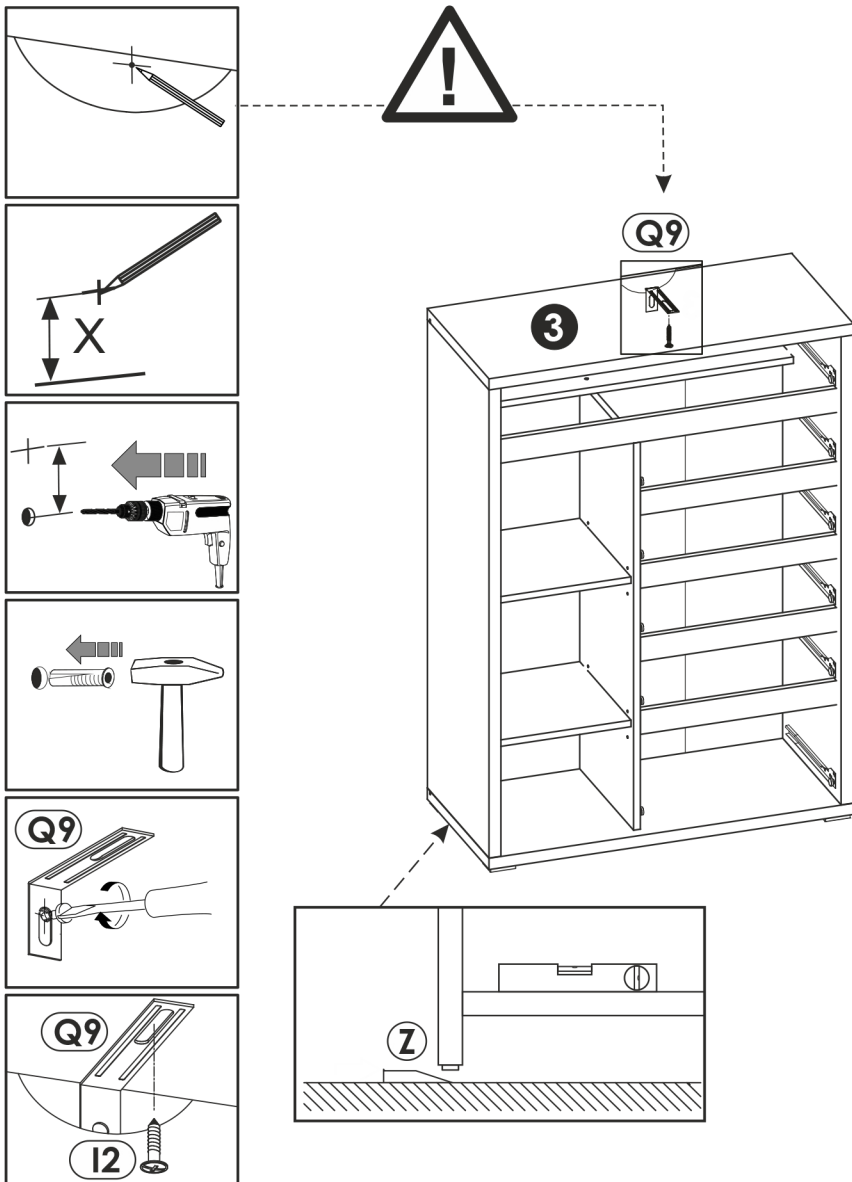
11 ▶



12▶



13▶



14 ▶

