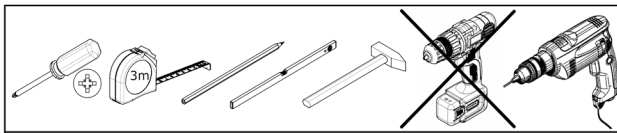
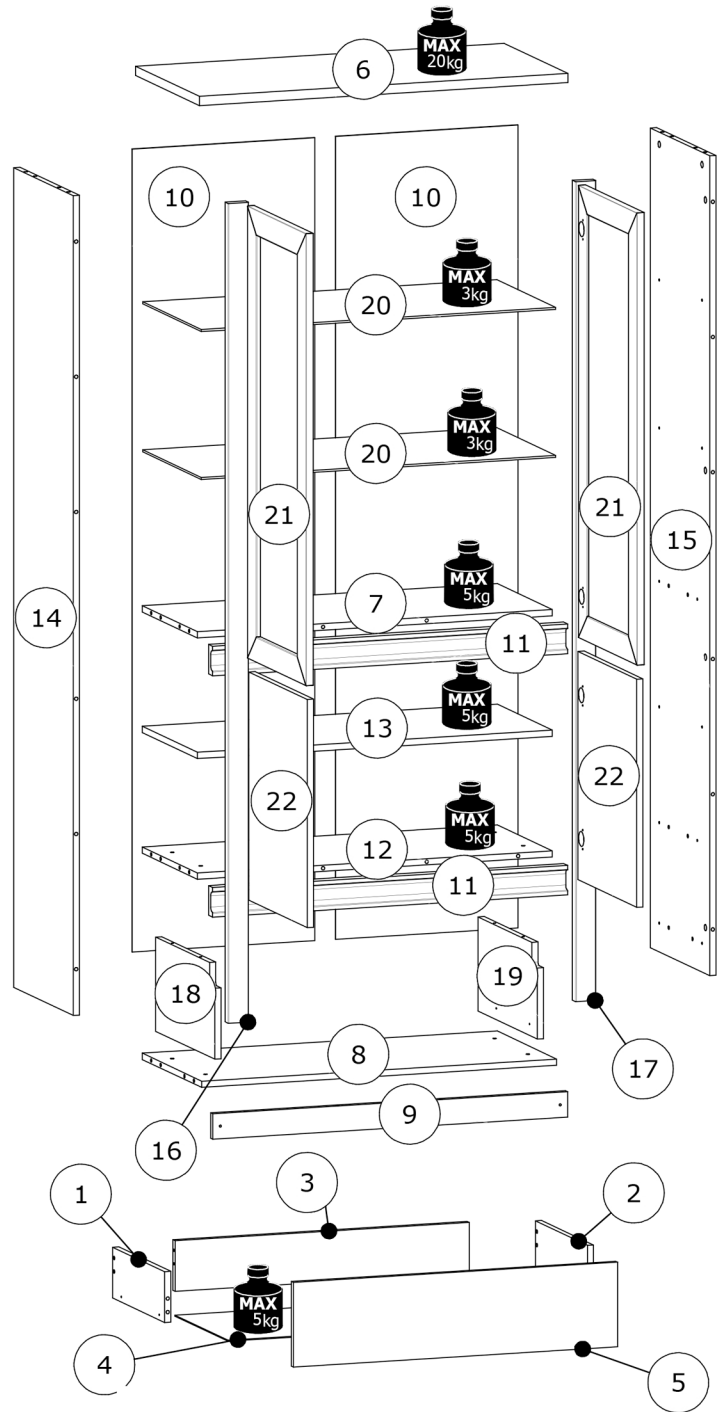
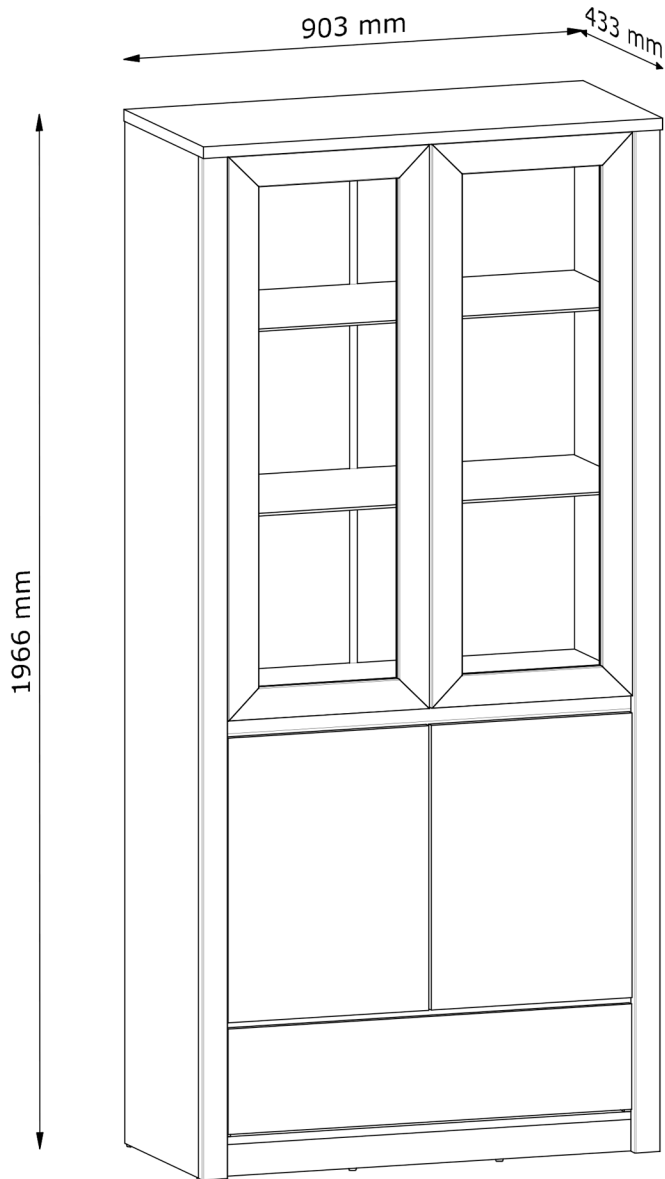
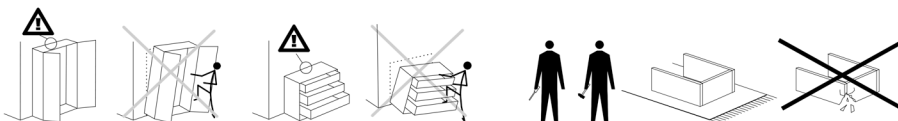


MONTANA

W2D



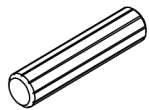
A1 x30 Ø8x35mm	B1 x30 Ø5x38mm	C1 x30 Ø15x12mm	E1 x4 Ø5x16mm	E9 x8
G1 x84 26mm	H5 x1 1899mm	J x16 Ø21mm	K1 x12 Ø6,4x50mm	N1 x1
N2 x1 4mm HEX	P2 x2 350mm	T4 x2 75x28x16 mm	W2 x30 Ø3,5x16mm	W5 x2 Ø4x30mm
Y1 x8 Ø8x1,5mm	Y5 x6 Ø15x20mm	Z6 x8 Ø35mm, 90°		



No.	L[mm]	W[mm]	H[mm]	PCS	BOX
1	350	120	15	1	1/4
2	350	120	15	1	1/4
3	721	120	15	1	2/4
4	746	358	2,5	1	2/4
5	794	200	15	1	2/4
6	903	430	22	1	2/4
7	870	371	15	1	2/4
8	870	400	15	1	2/4
9	869	60	15	1	2/4
10	1900	447	2,5	2	1/4
11	870	70	28	2	2/4
12	870	371	15	1	2/4
13	870	371	15	1	2/4
14	1940	400	15	1	1/4
15	1940	400	15	1	1/4
16	1940	50	22	1	1/4
17	1940	50	22	1	1/4
18	399	223	15	1	1/4
19	399	223	15	1	1/4
20	868	395	5	2	3/4
21	1070	395	18	2	4/4
22	540	395	15	2	1/4

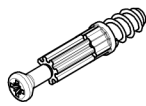
1

A1 x 8

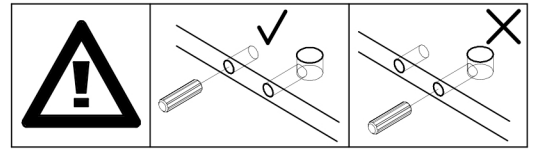
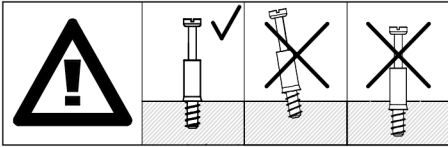
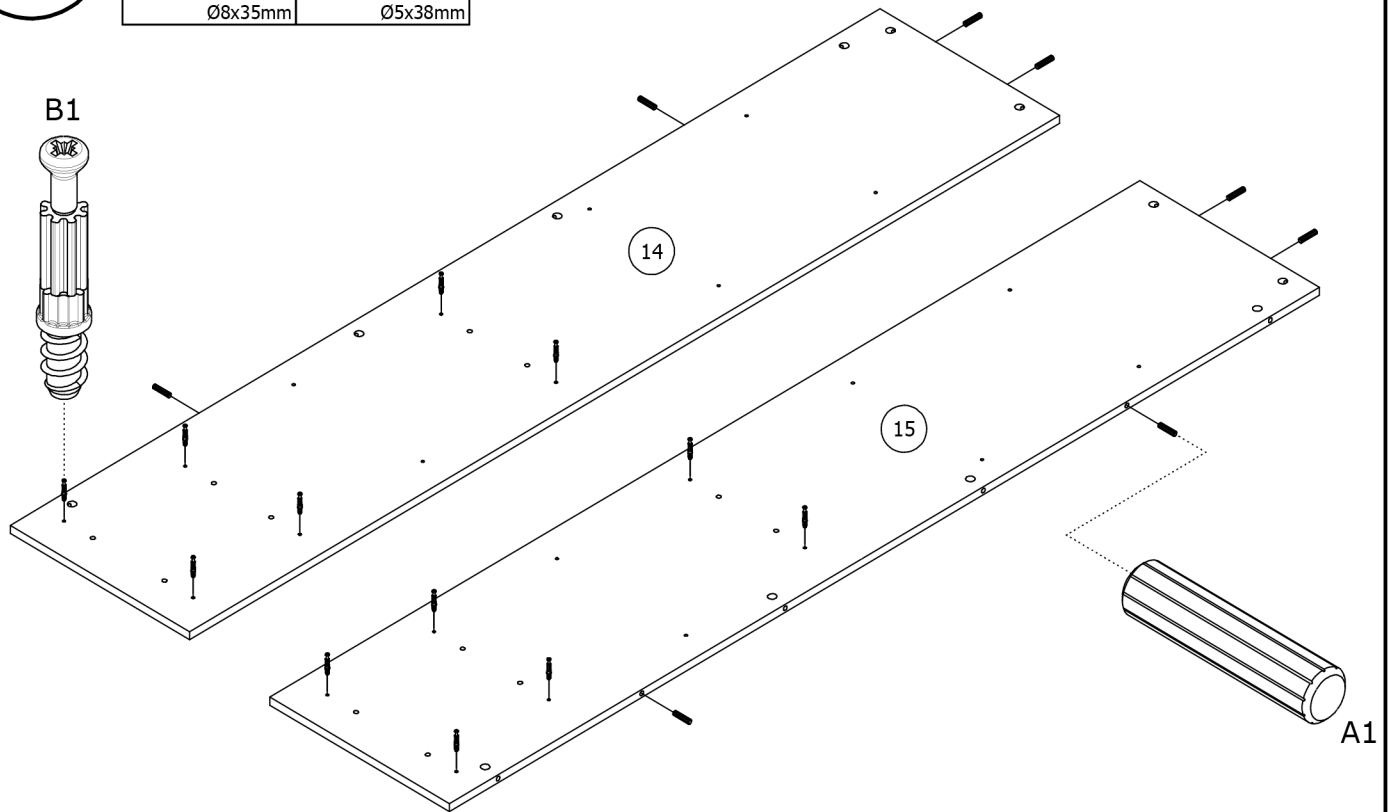


Ø8x35mm

B1 x 12

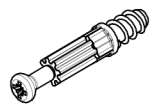


Ø5x38mm



2

B1 x 8

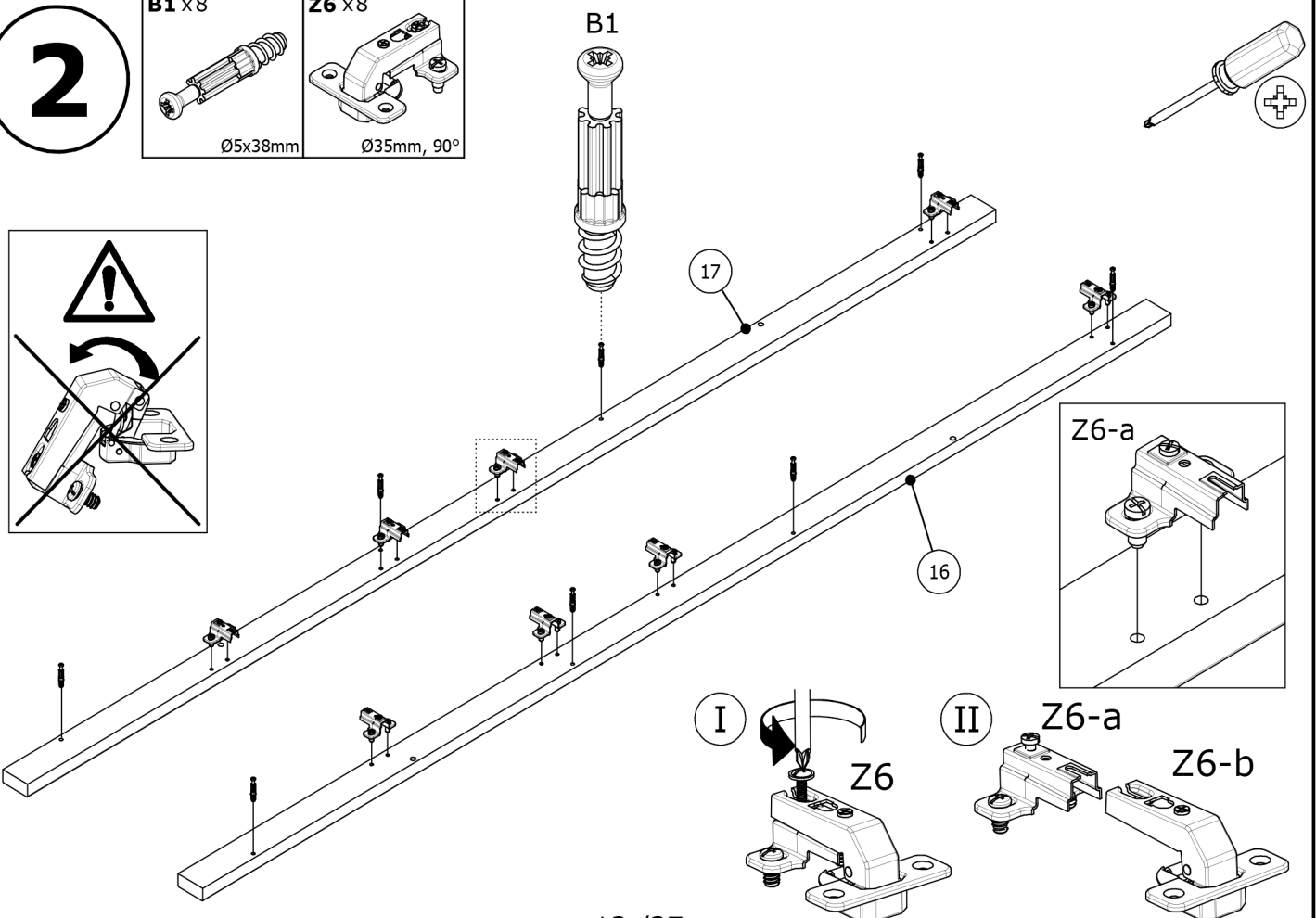


Ø5x38mm

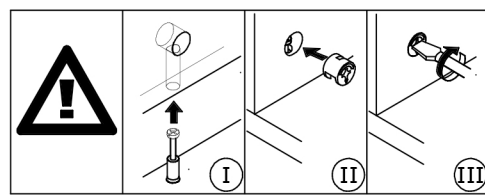
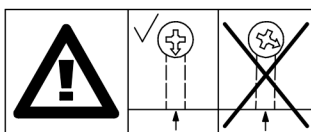
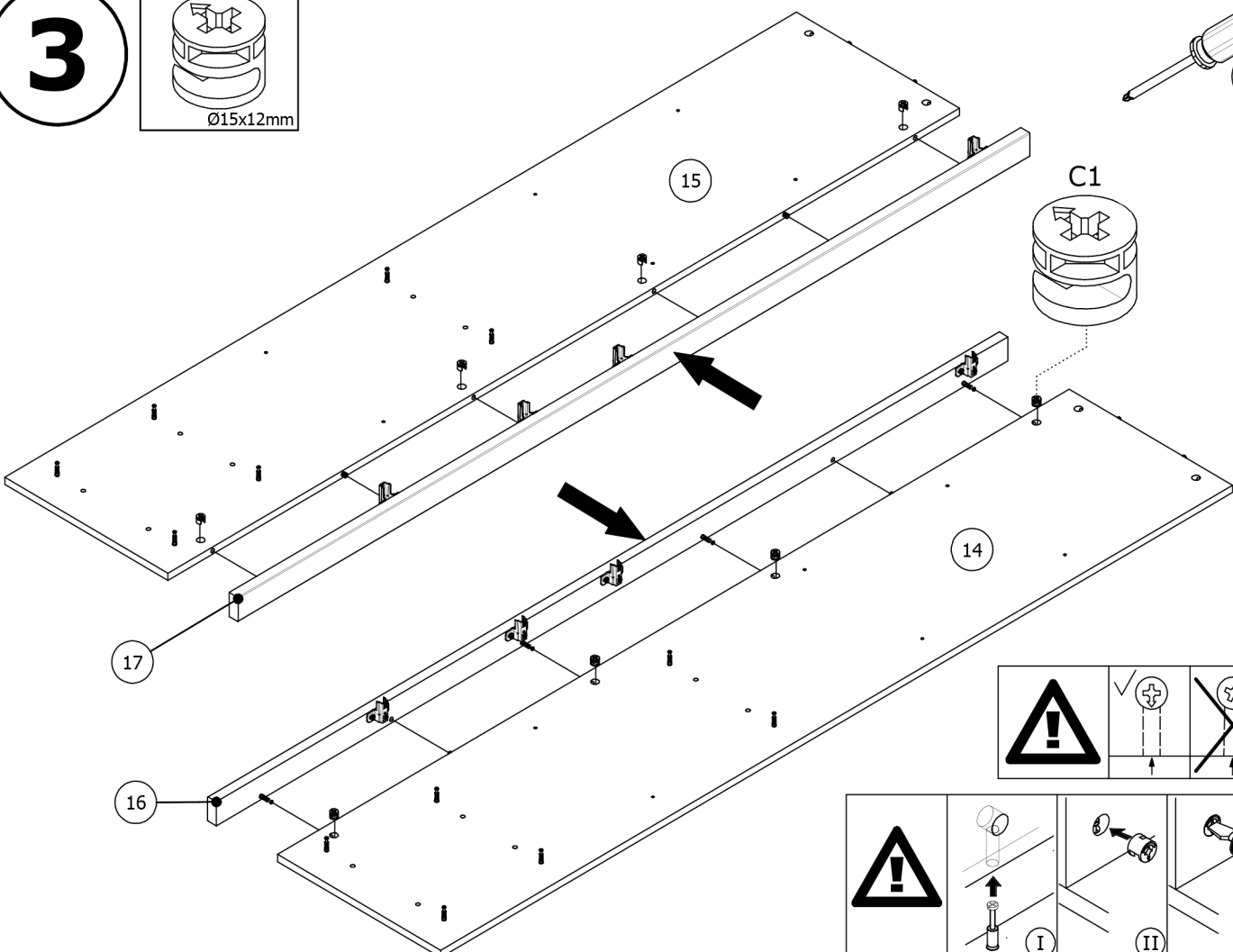
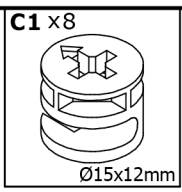
Z6 x 8



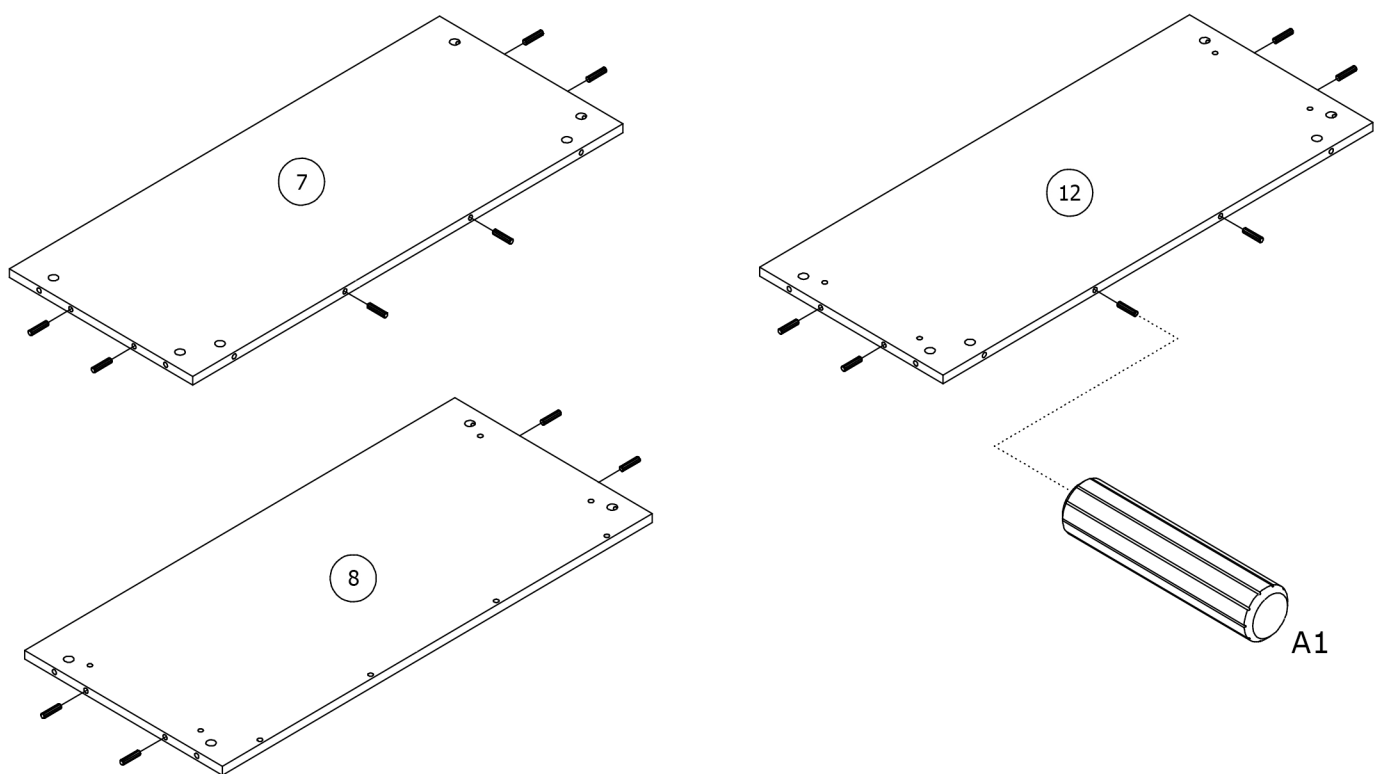
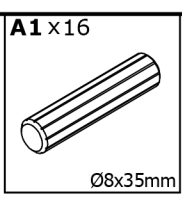
Ø35mm, 90°



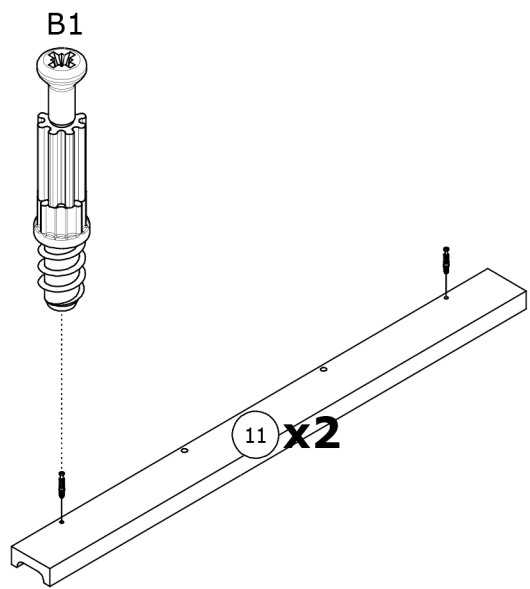
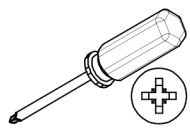
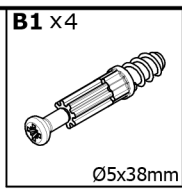
3



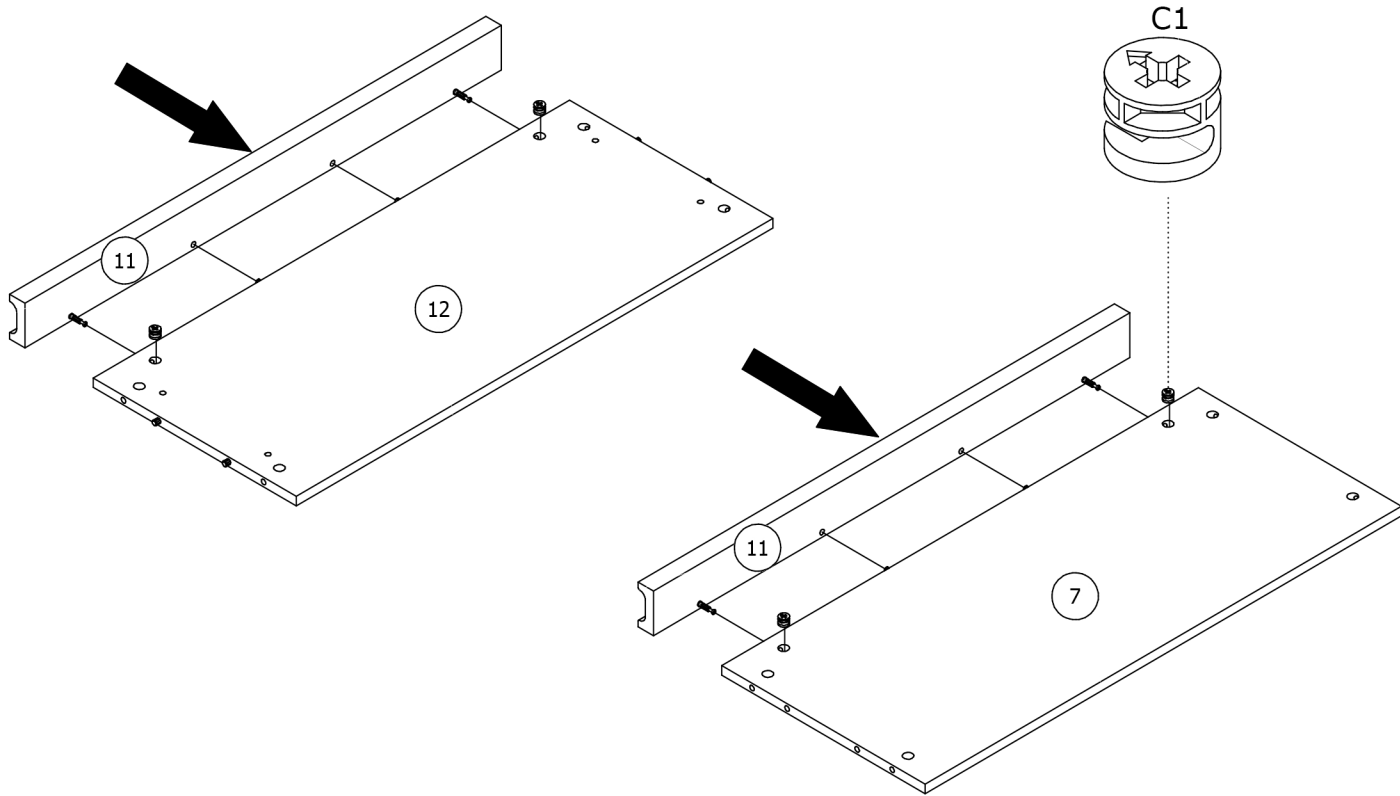
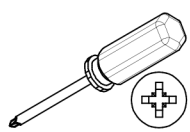
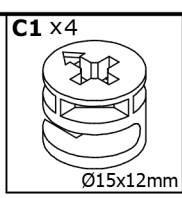
4



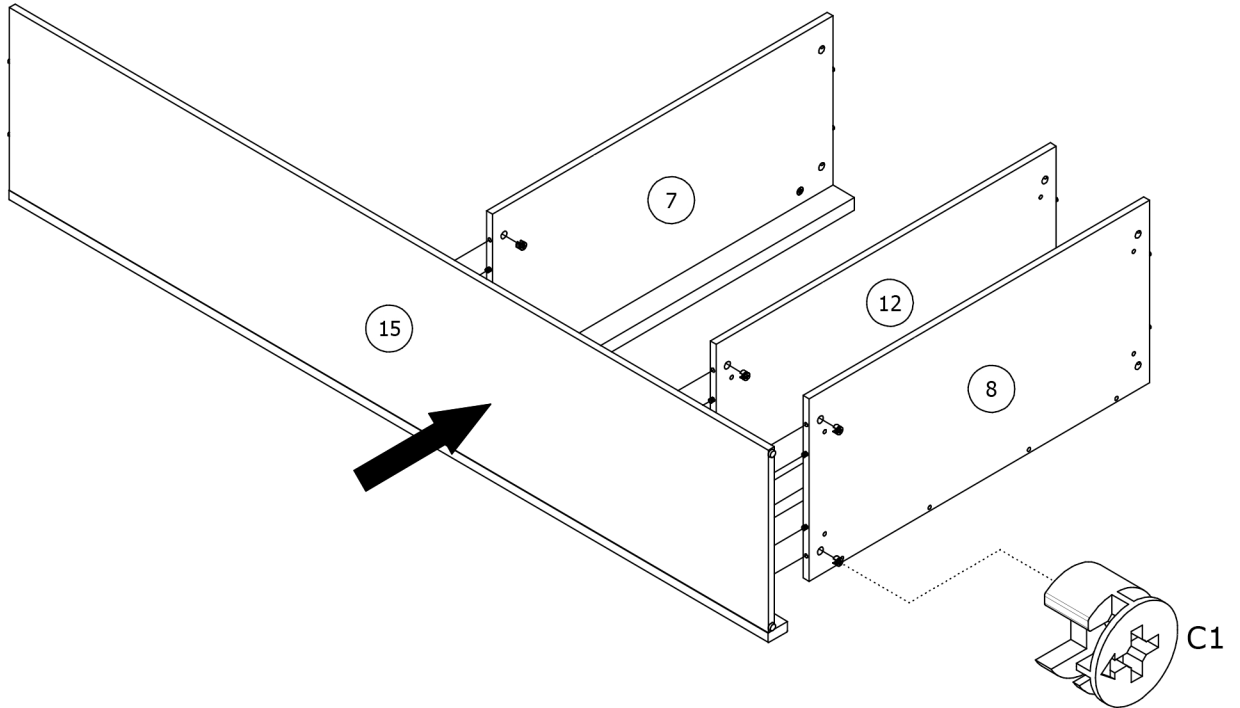
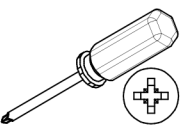
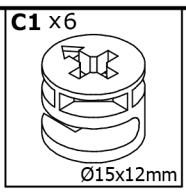
5



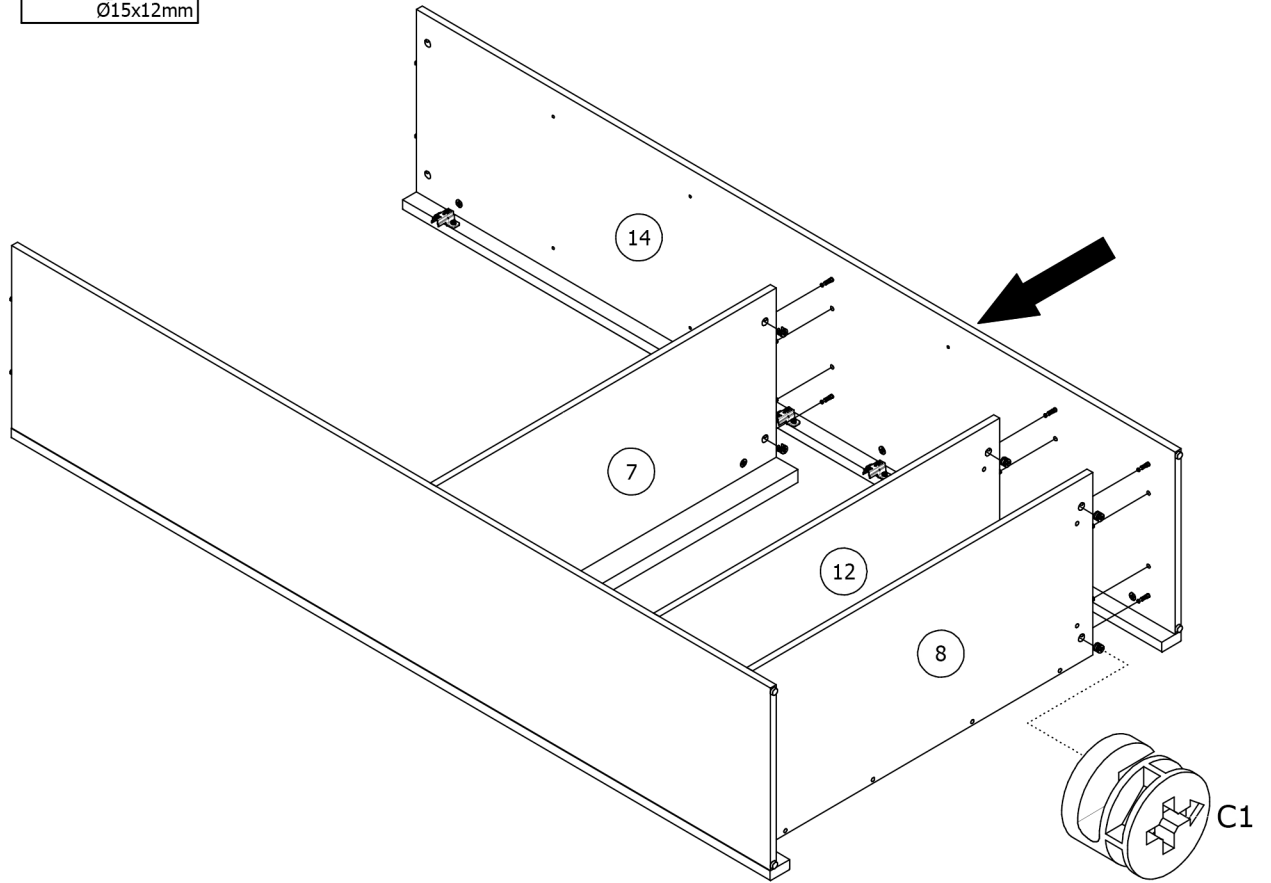
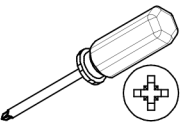
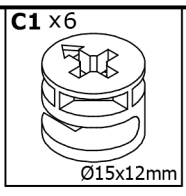
6



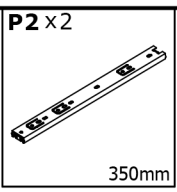
7



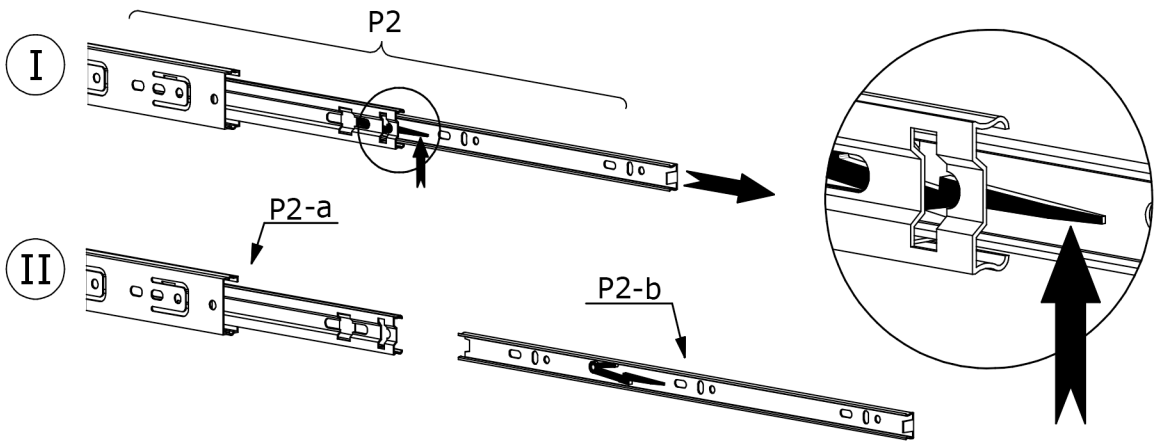
8



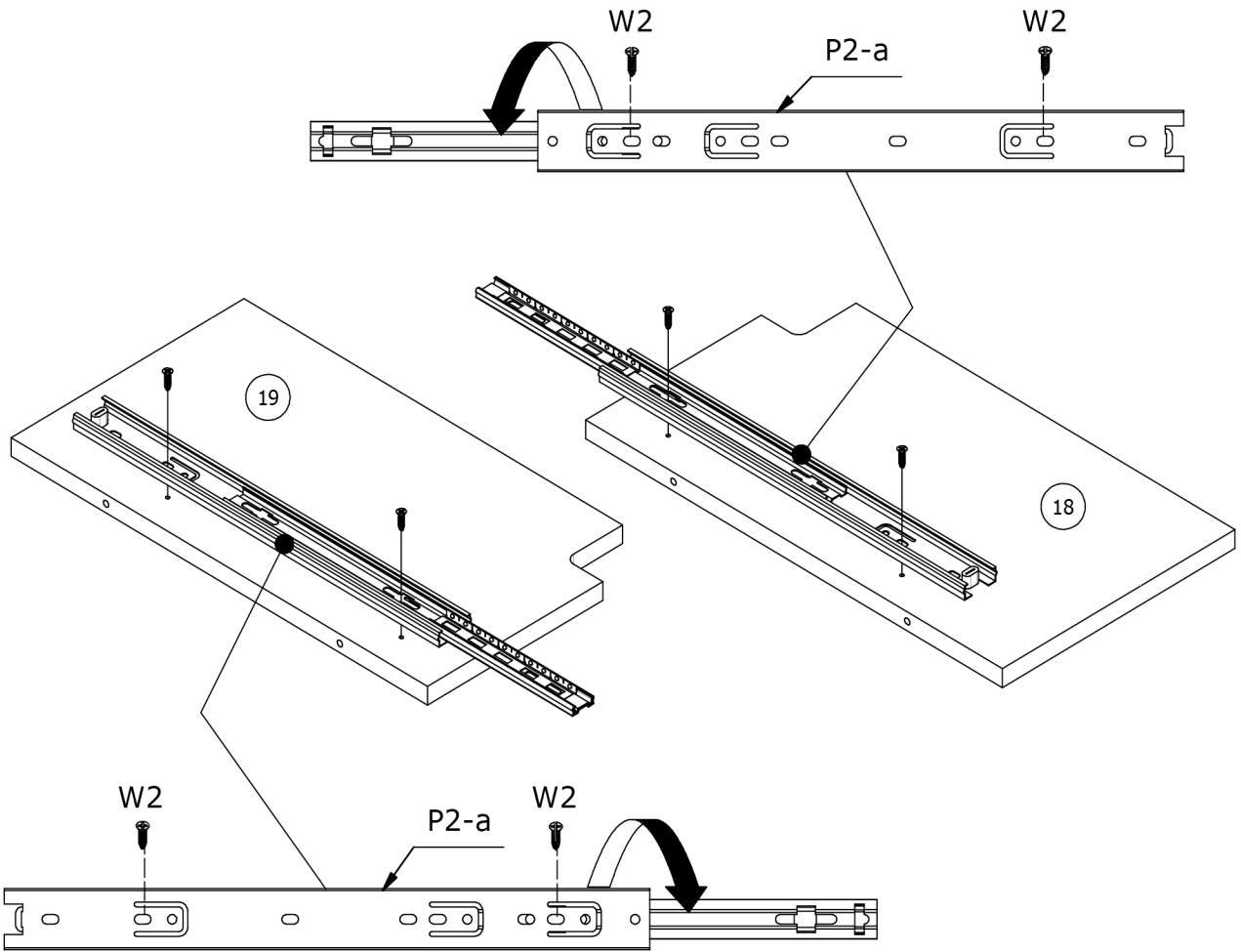
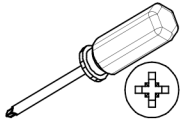
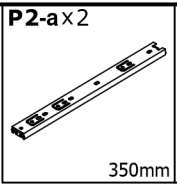
9



P2=P2-a + P2-b

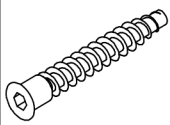


10



11

K1 x8

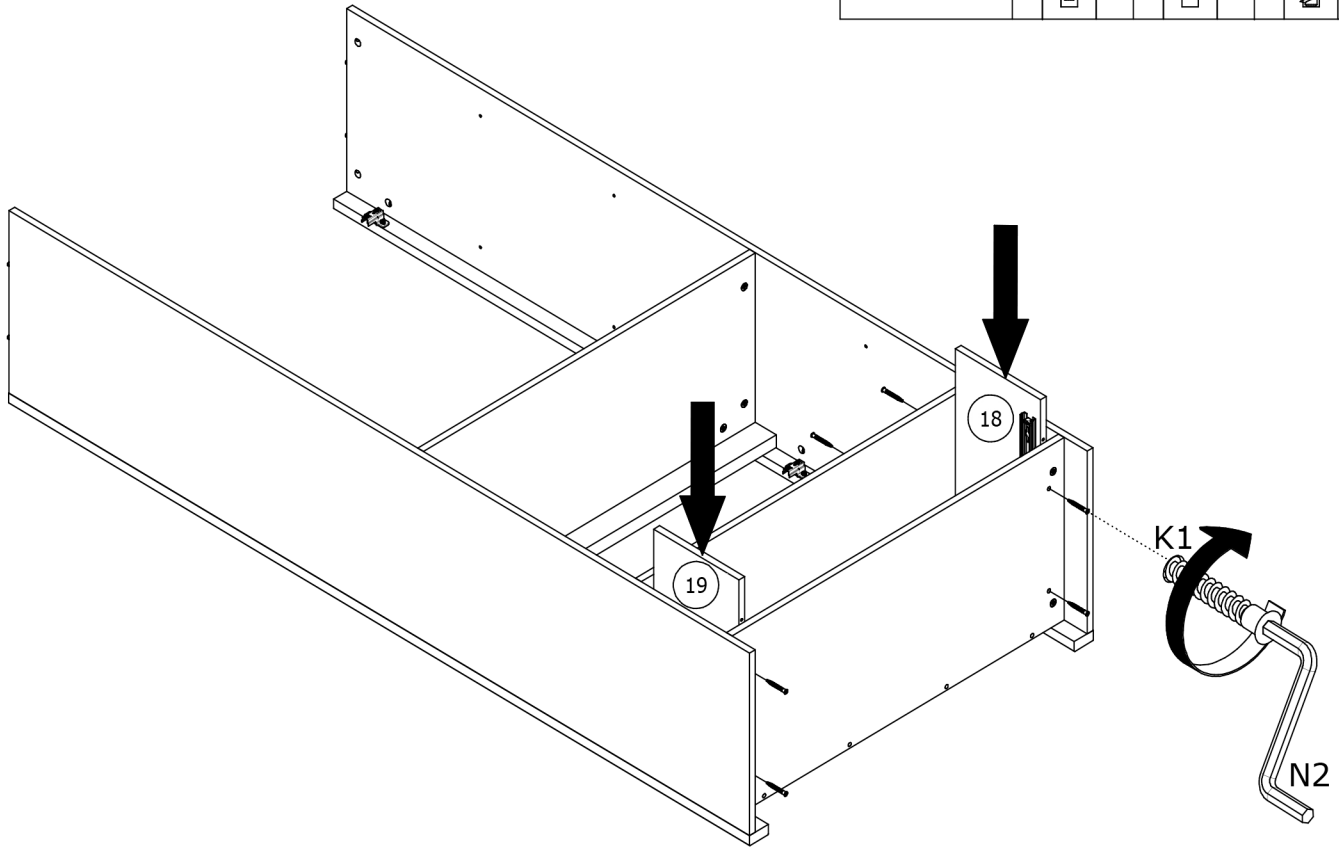
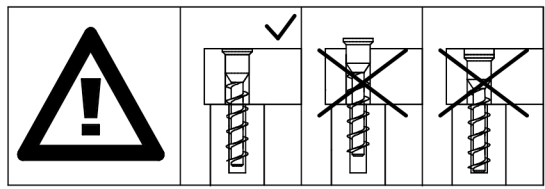


Ø6,4x50mm

N2 x1

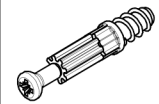


4mm HEX

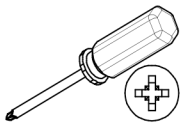
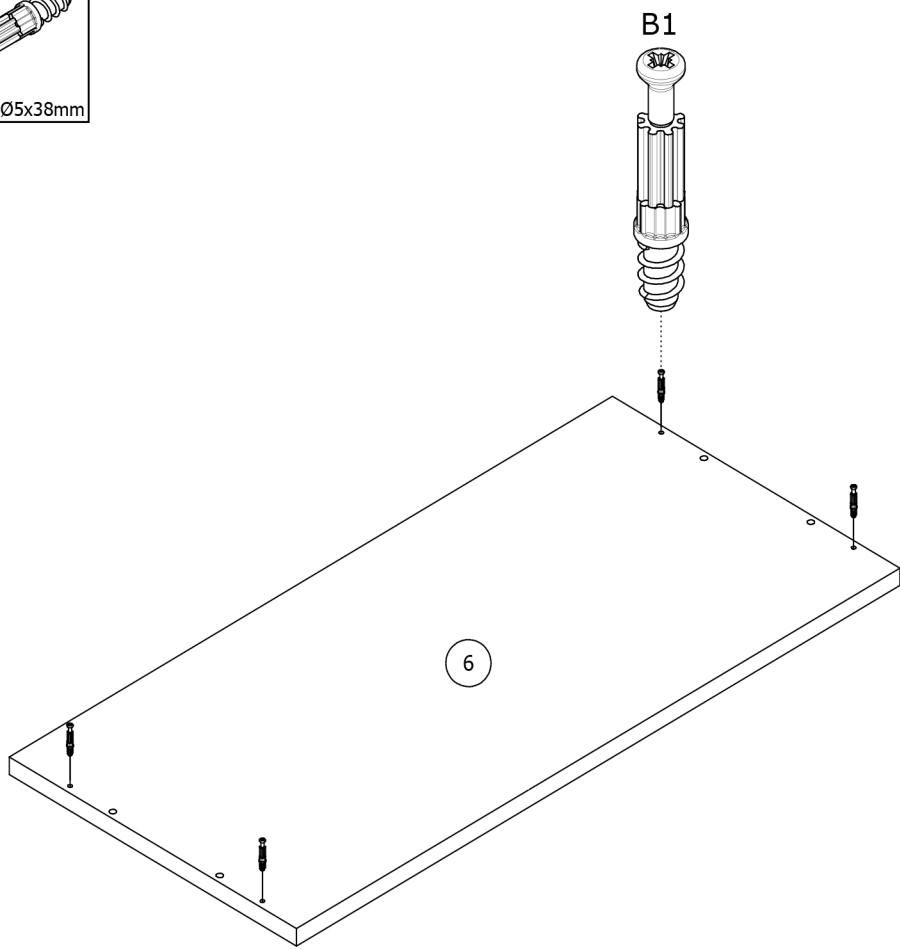


12

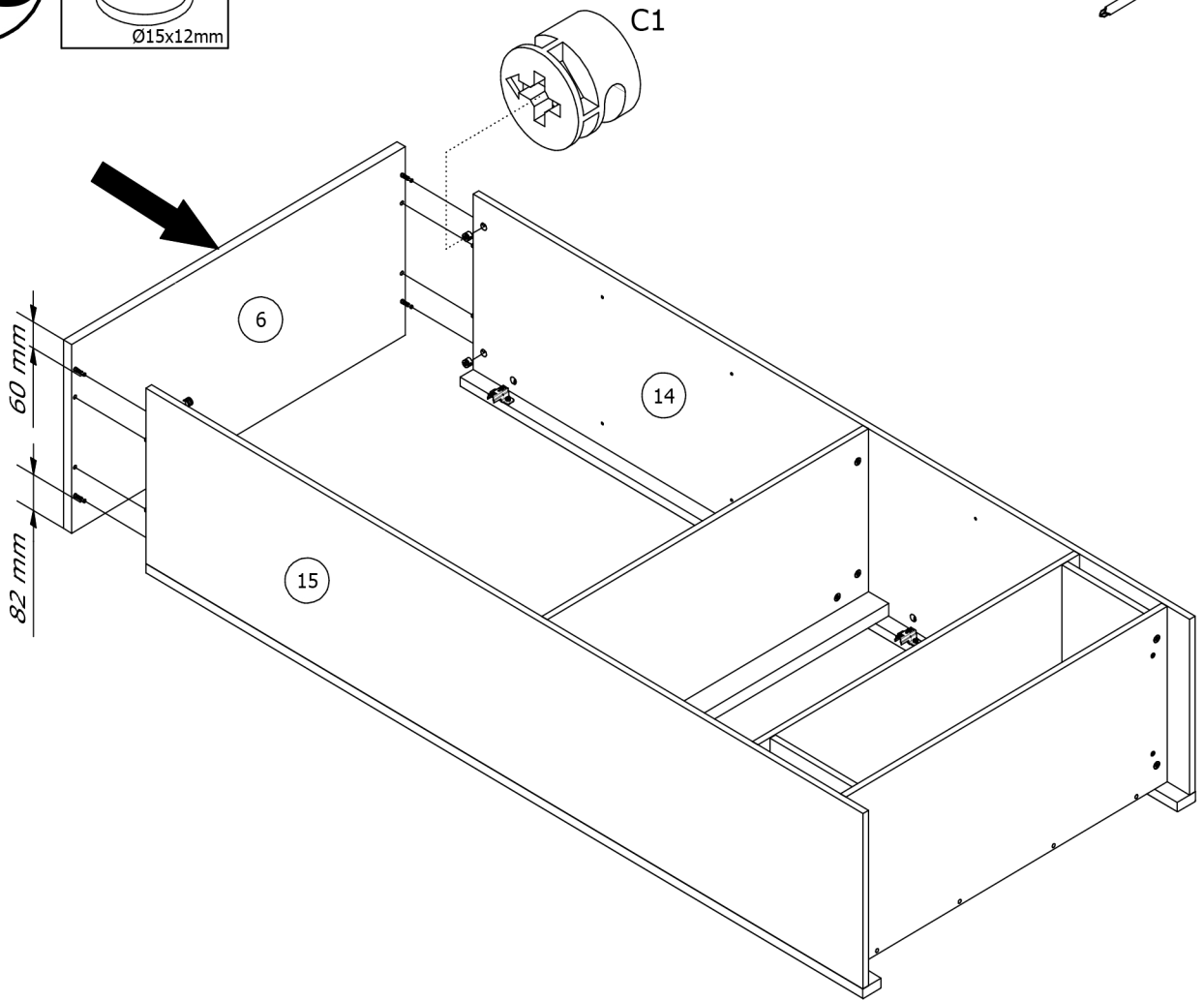
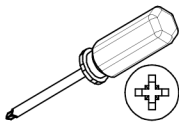
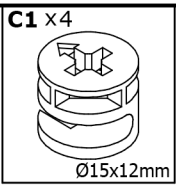
B1 x4



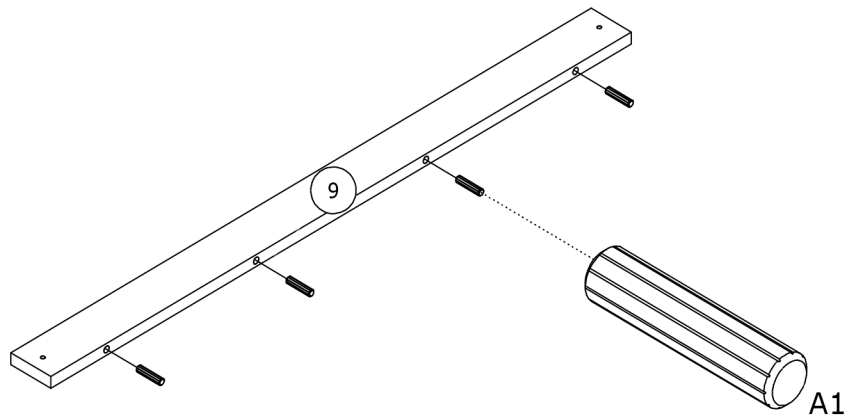
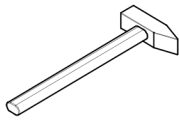
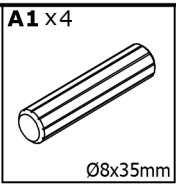
Ø5x38mm



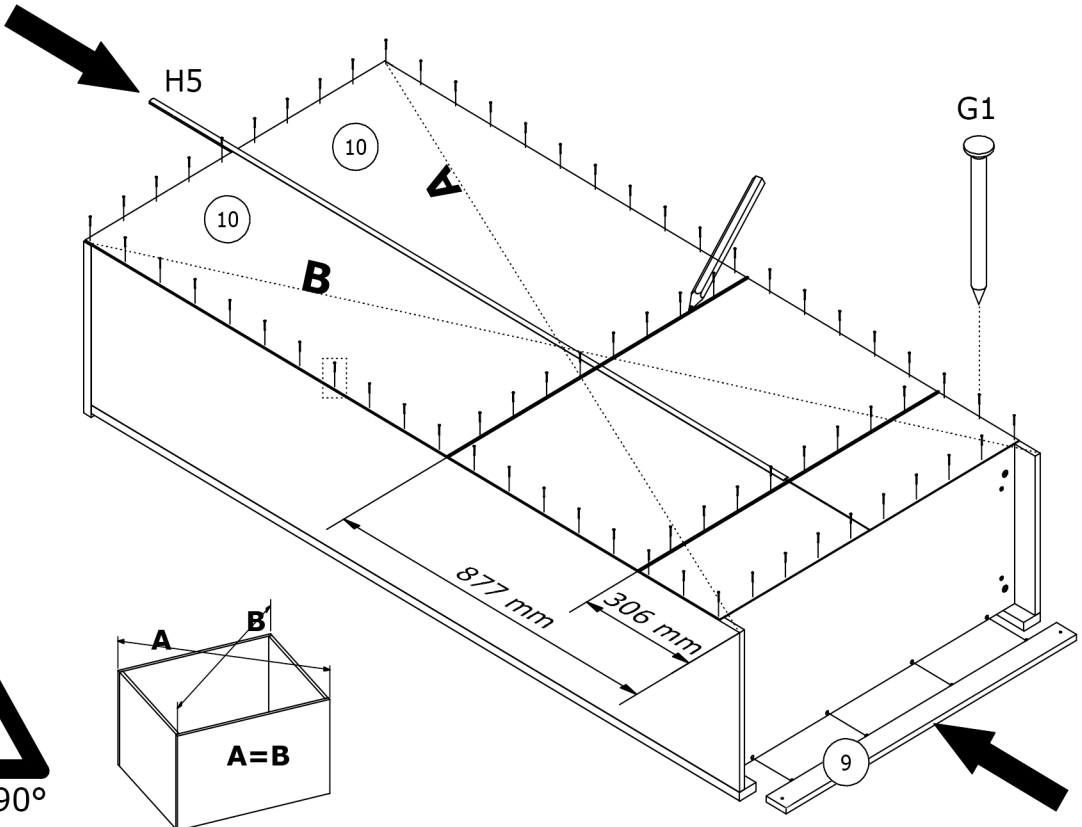
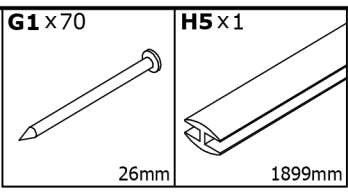
13



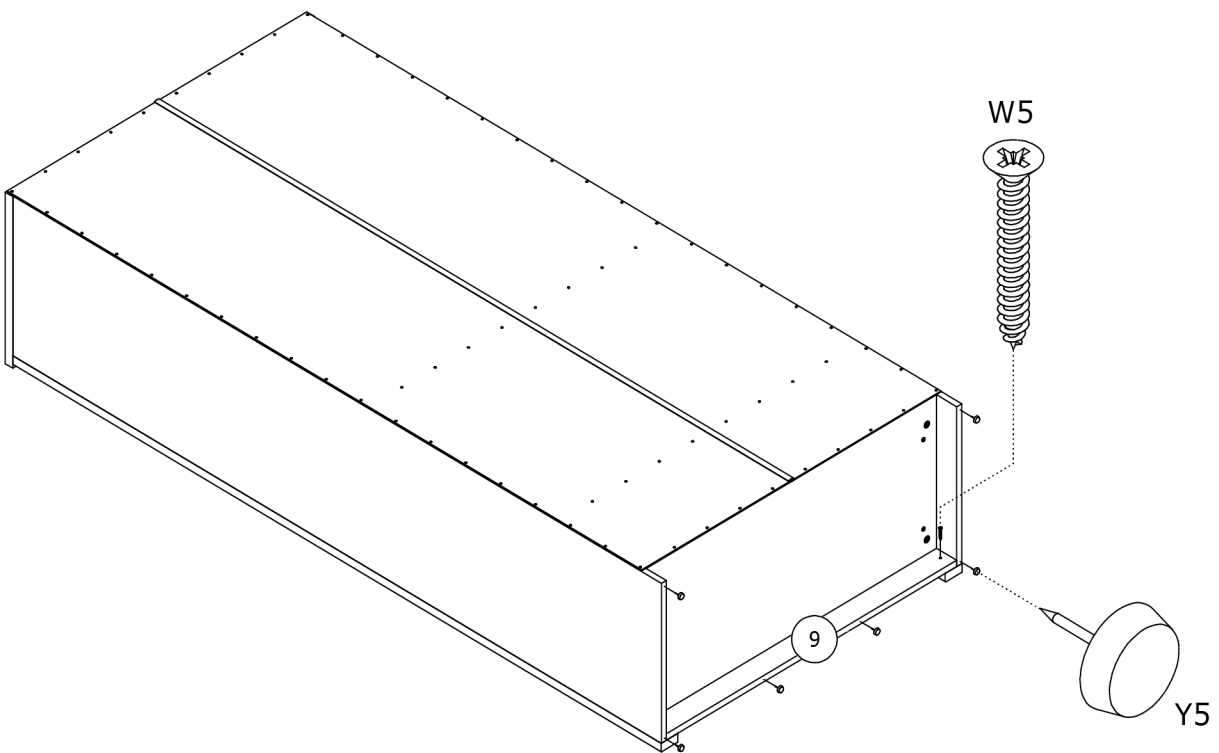
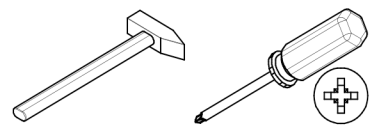
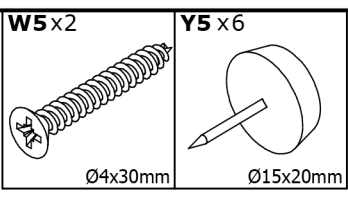
14



15

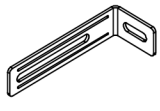


16



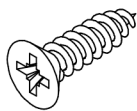
17

T4 x2

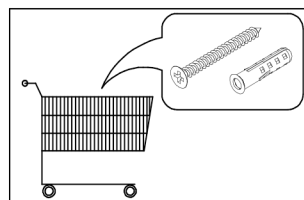
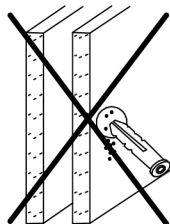
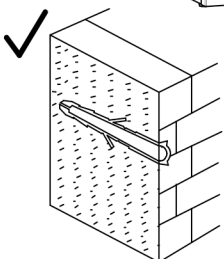
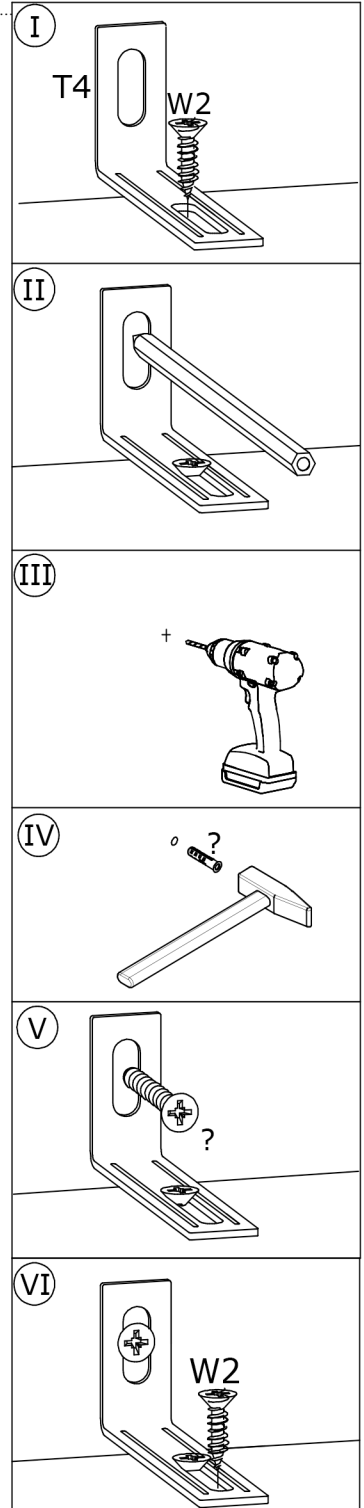
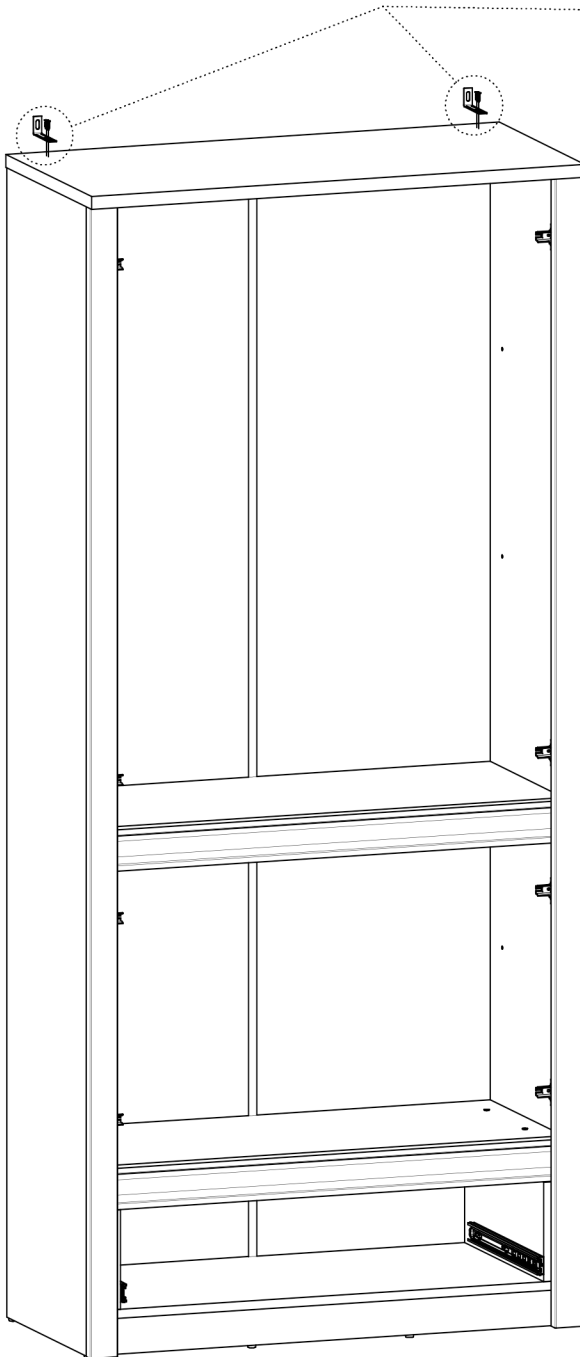
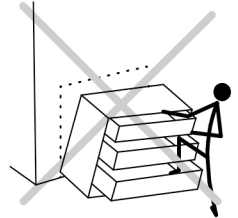
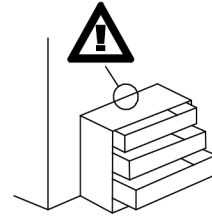
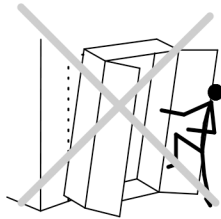
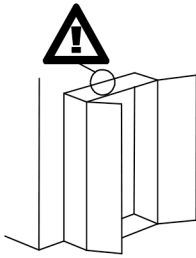
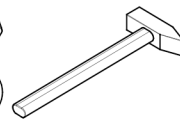
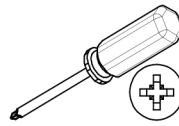


75x28x16 mm

W2 x4

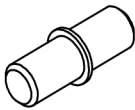


Ø3,5x16mm



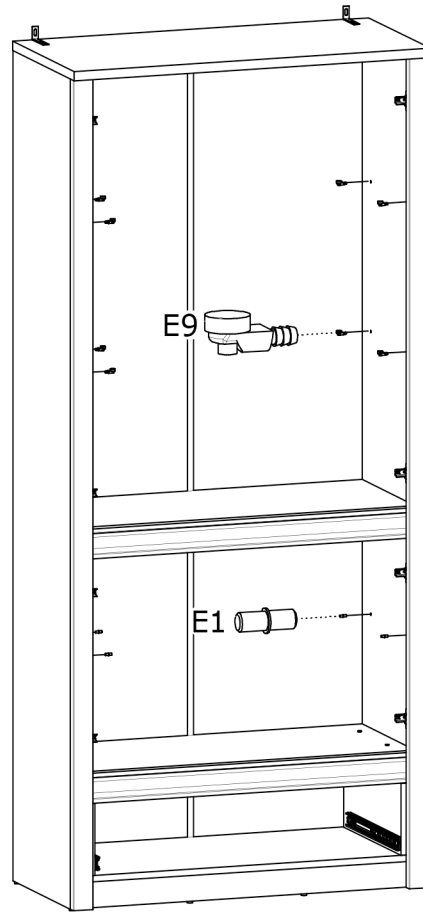
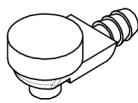
18

E1 x4

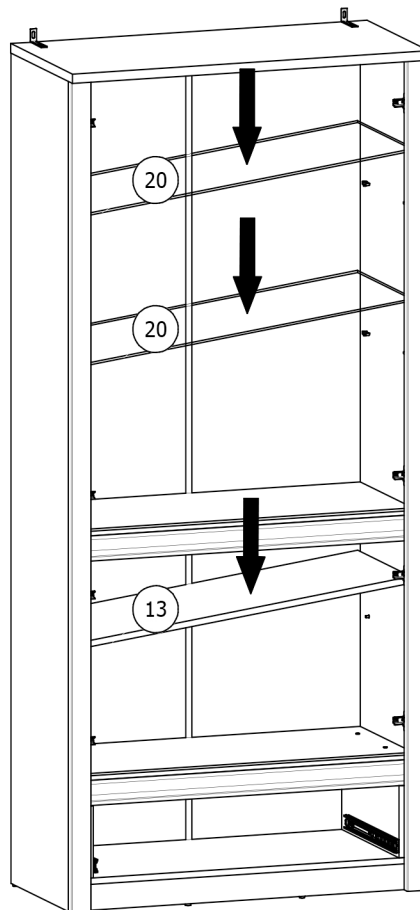


Ø5x16mm

E9 x8

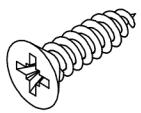


19



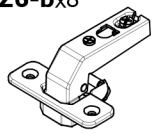
20

W2x16

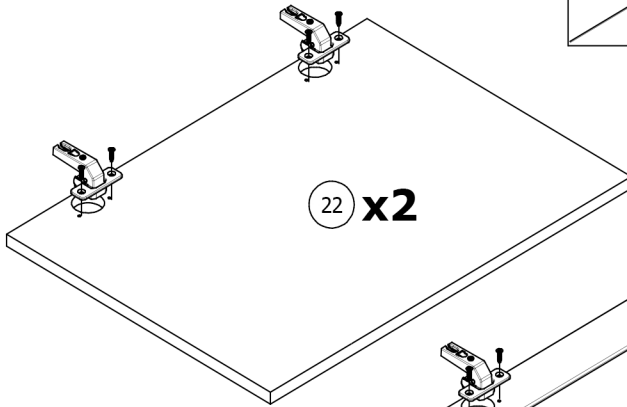
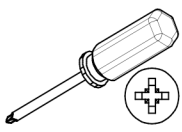
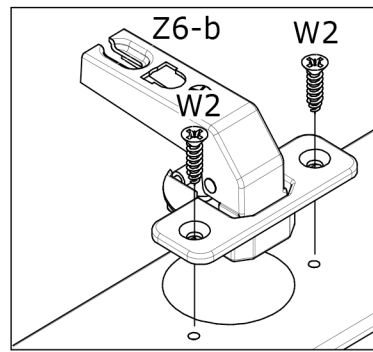


Ø3,5x16mm

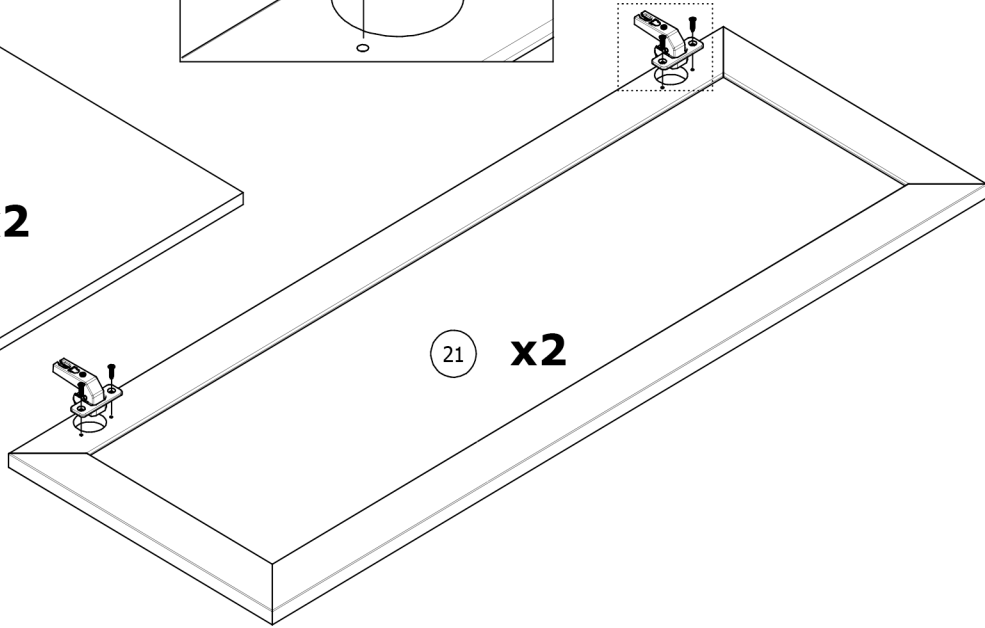
Z6-bx8



Ø35 mm, 90°

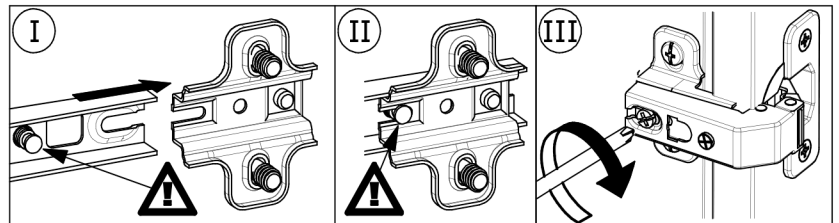
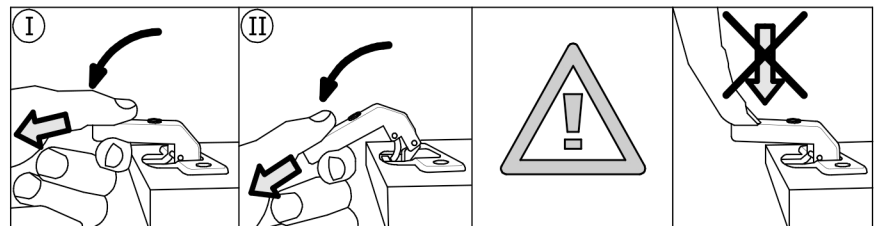
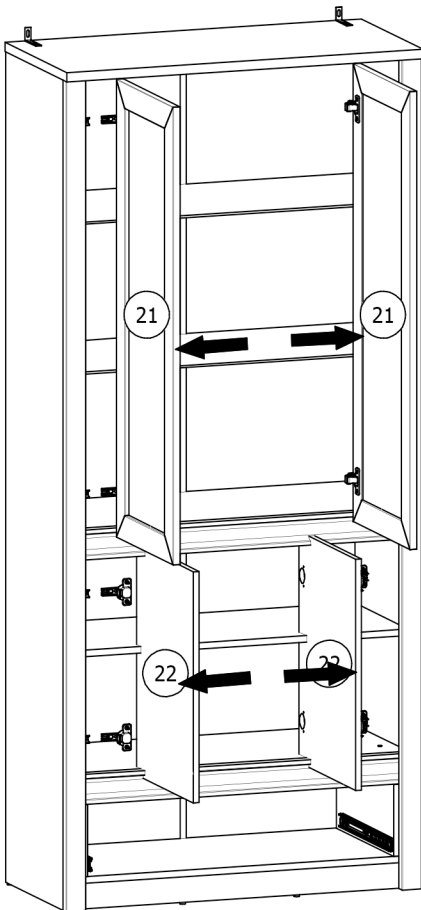
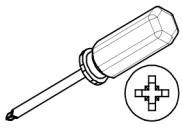


22 x2



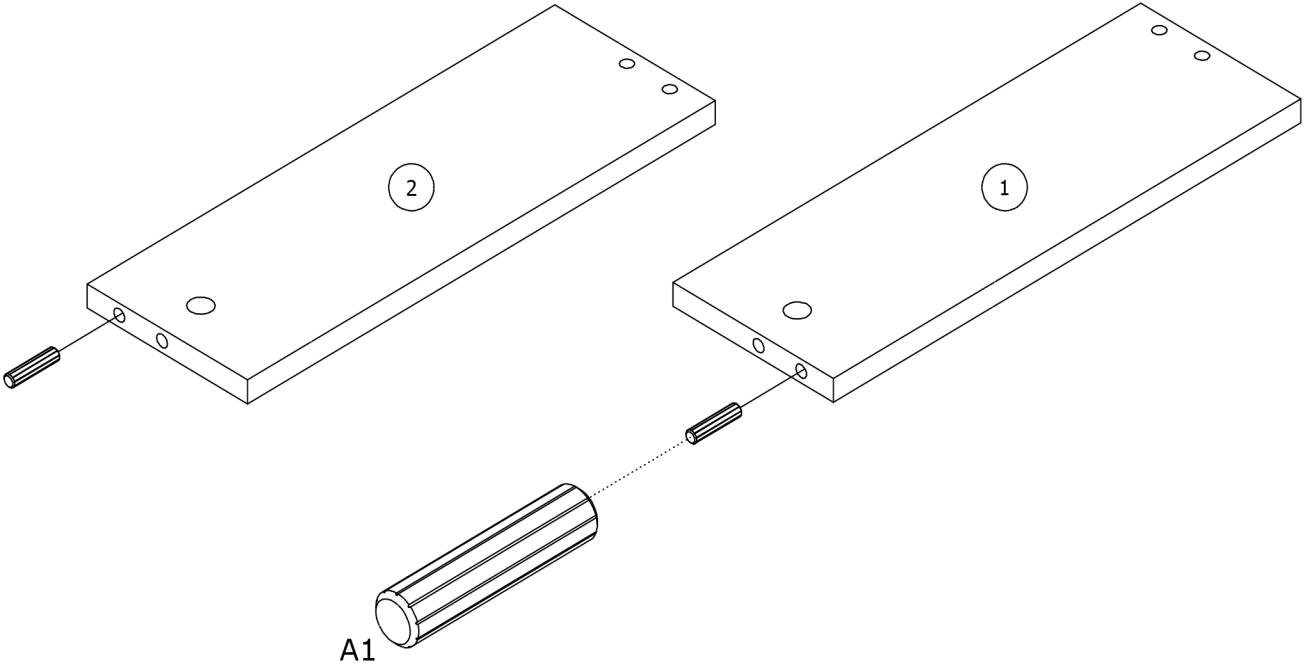
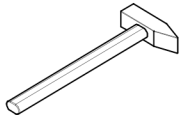
21 x2

21



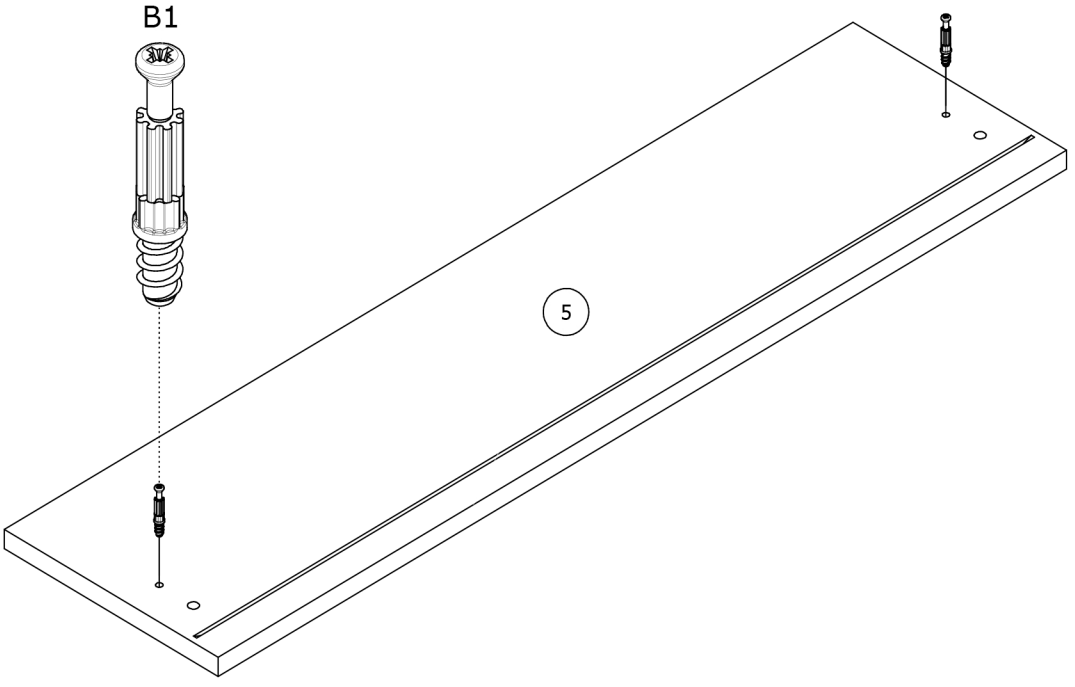
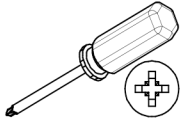
22

A1 x 2
Ø8x35mm

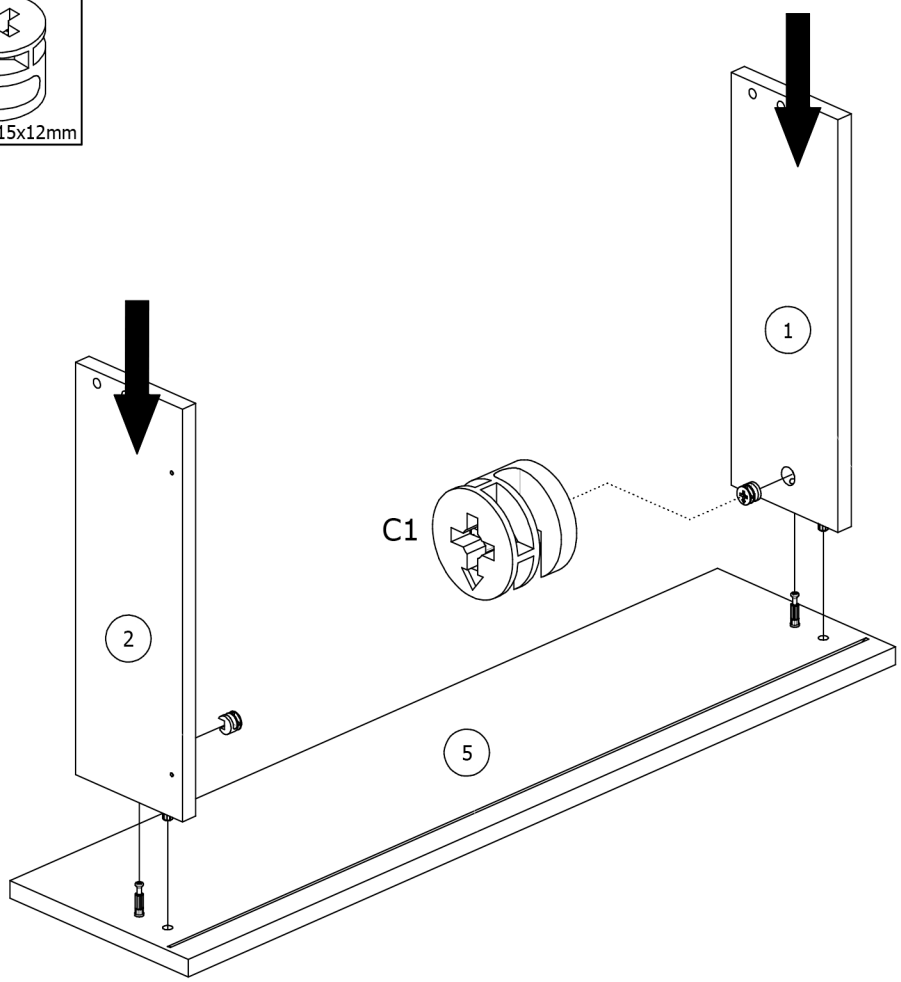
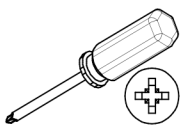
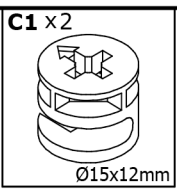


23

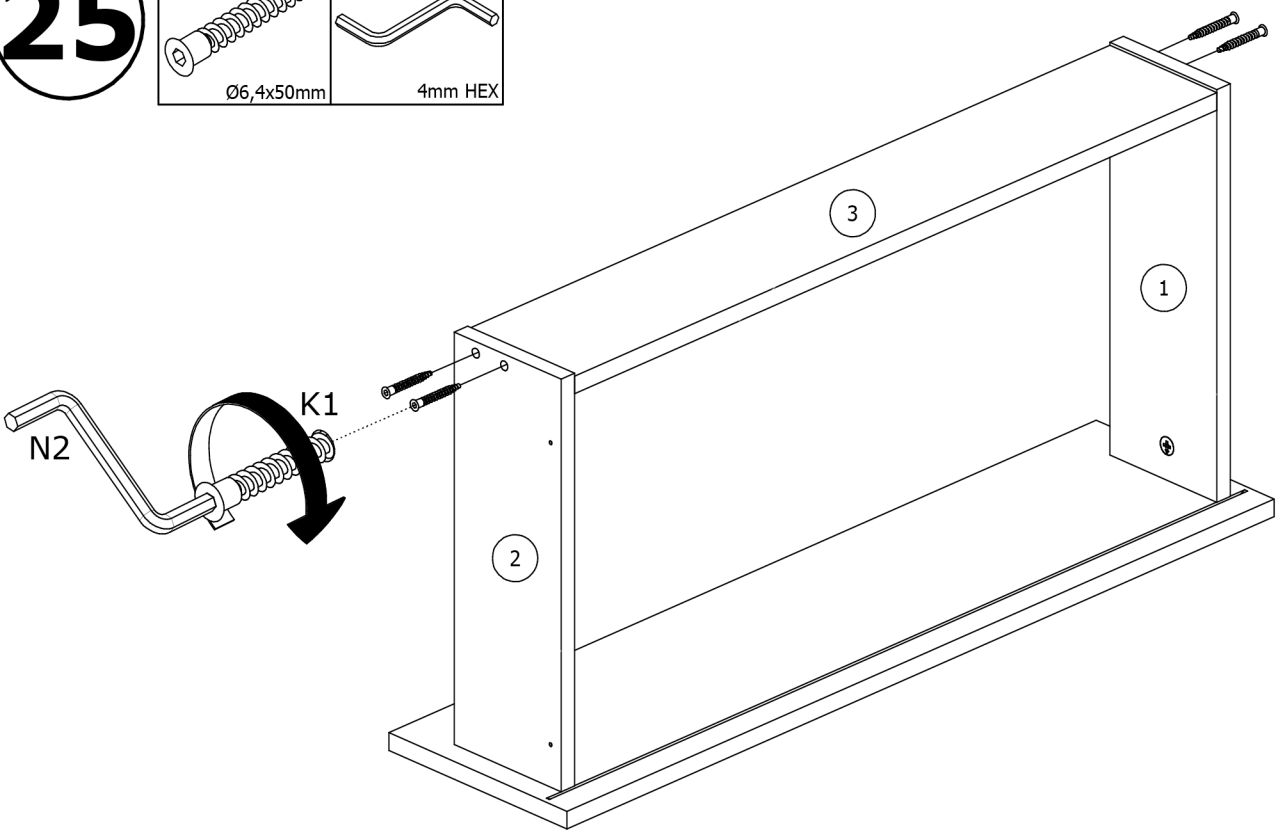
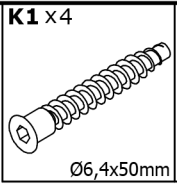
B1 x 2
Ø5x38mm



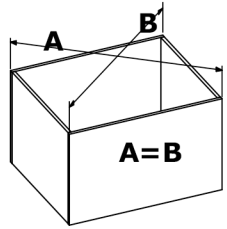
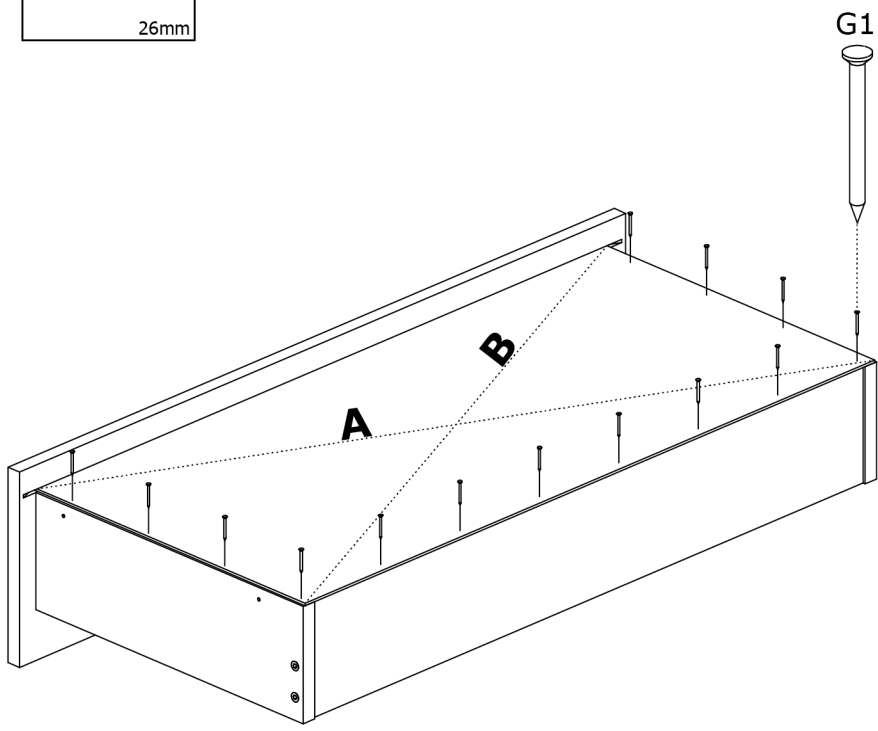
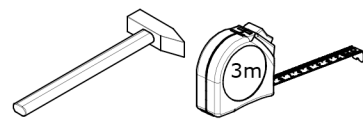
24



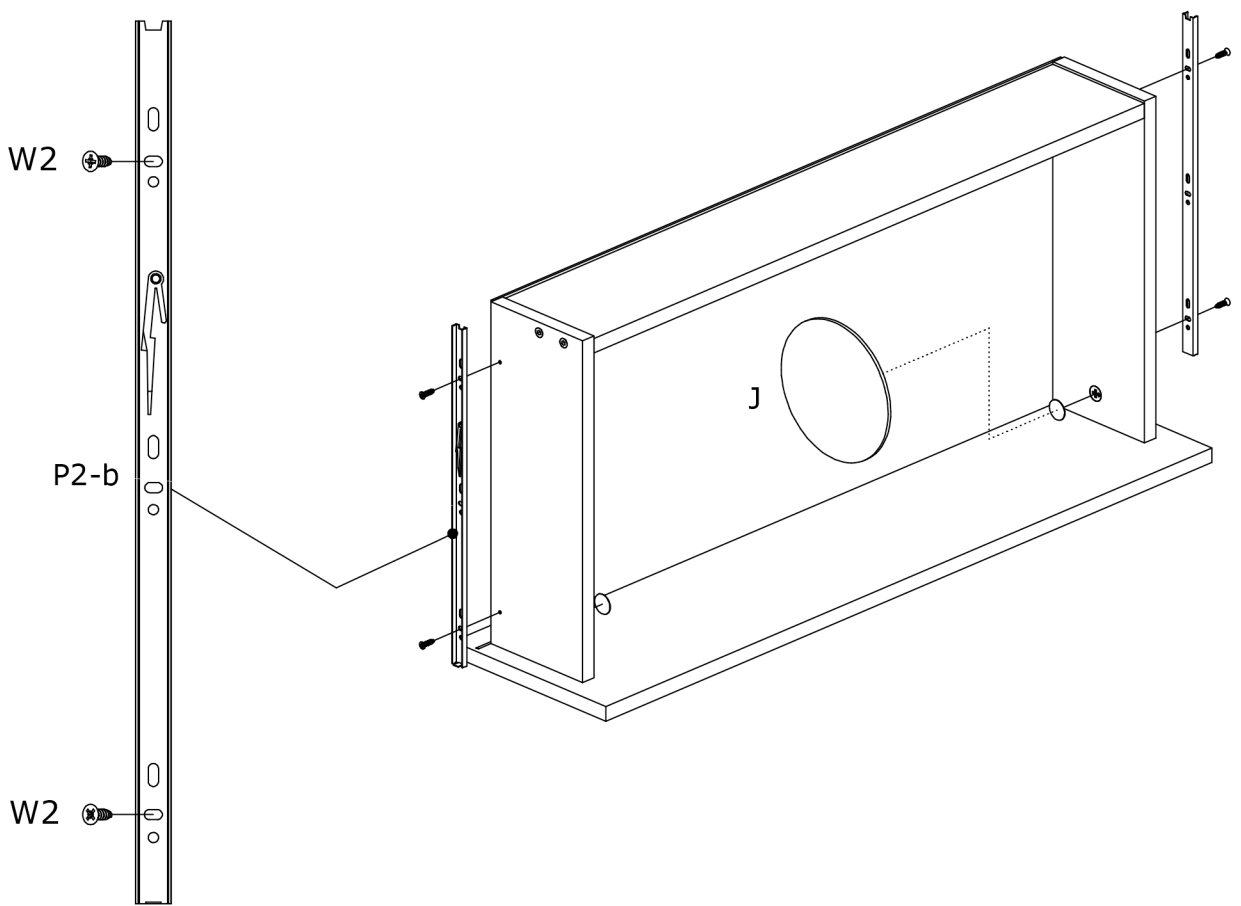
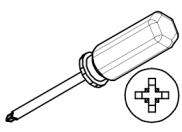
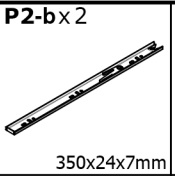
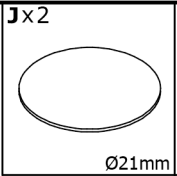
25



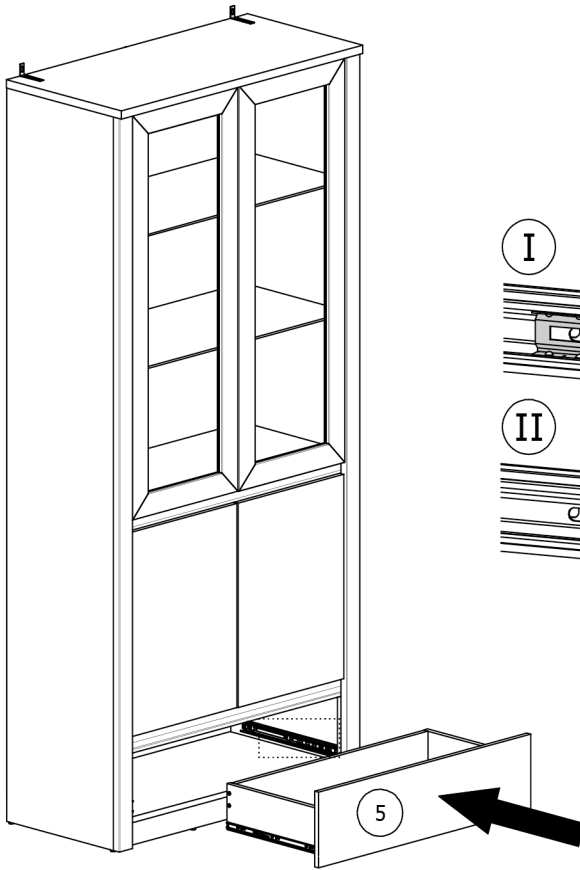
26



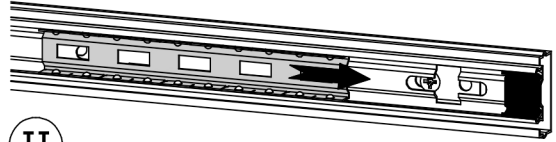
27



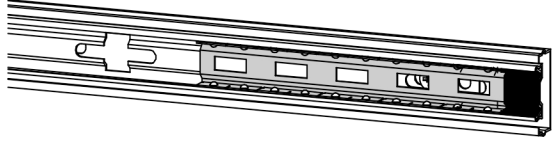
28



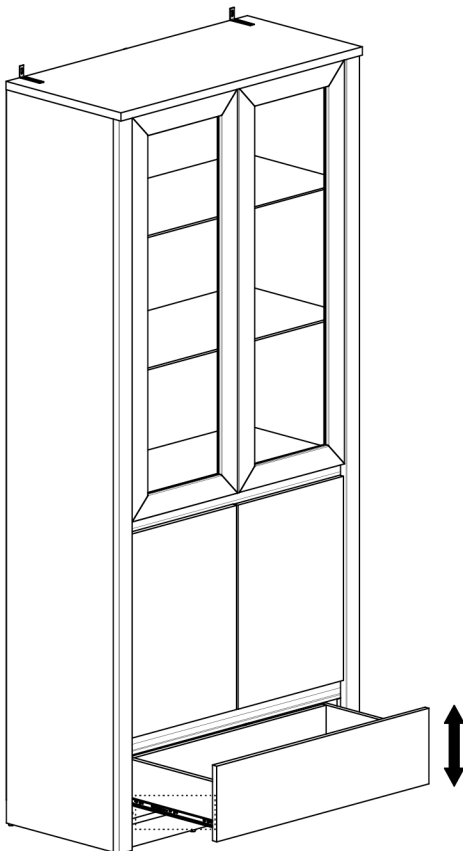
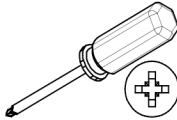
I



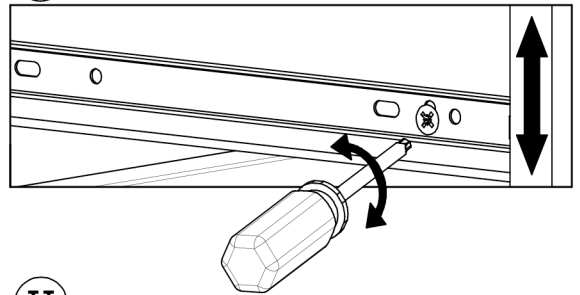
II



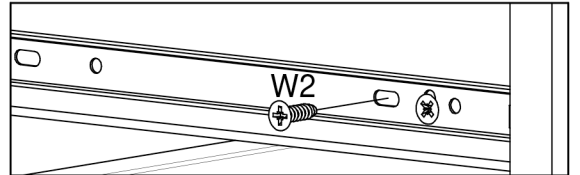
29



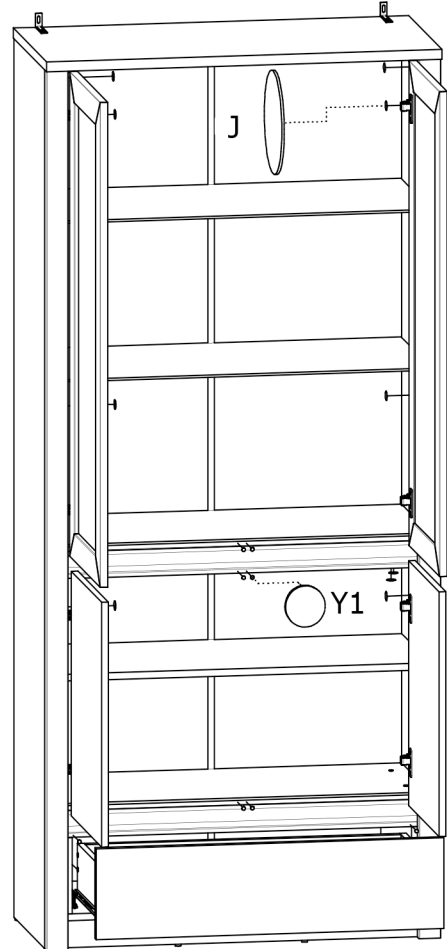
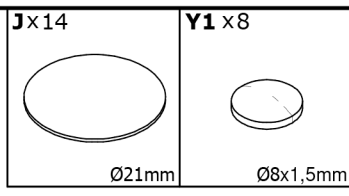
I



II



30



31

