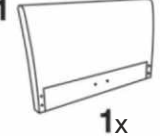
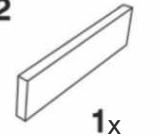
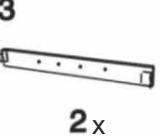
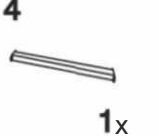
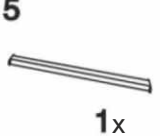
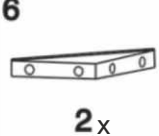
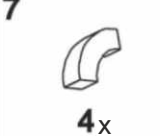
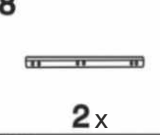
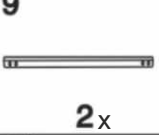
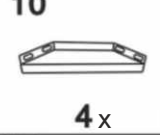


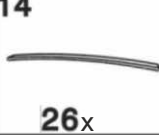
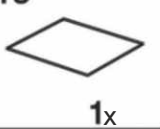
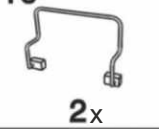
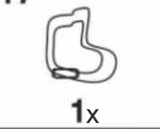
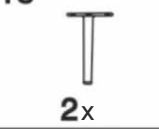
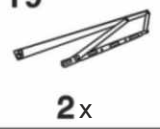











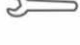






# KERALA 160x200

1  1x	2  1x	3  2x	4  1x	5  1x	6  2x	7  4x
8  2x	9  2x	10  4x	12  13x	13  26x	14  26x	
15  1x	16  2x	17  1x	18  2x	19  2x		

A M8*35mm  16x	B M8*25mm  8x	C M8*50mm  12x	D M8*45mm  6x	E M6*45mm  16x	F M8  50x
G  8x	H M8  1x	I NUT8  14x	J NUT6  16x	K M6  16x	L M8  1x
M  2x	N M6  1x	O M6  1x	P  8x		

