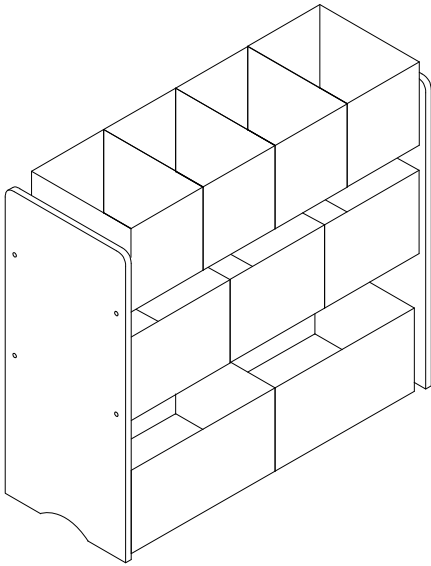
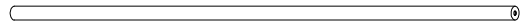


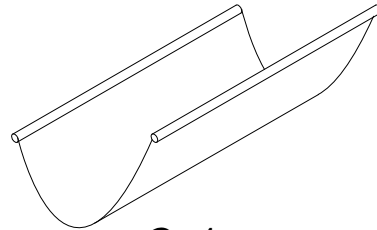
# NORDEN



Ax8

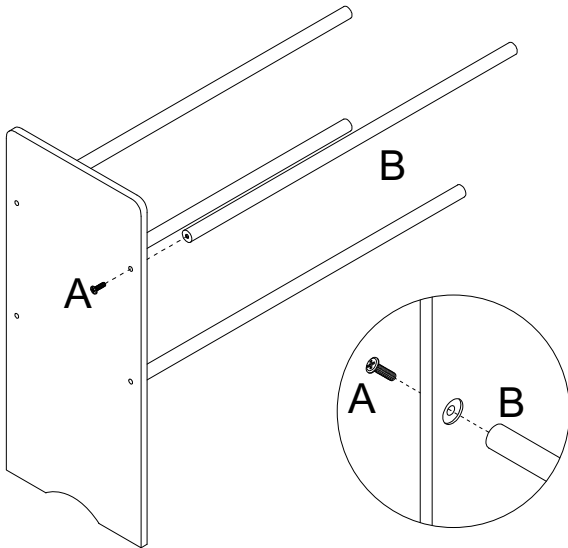


Bx4

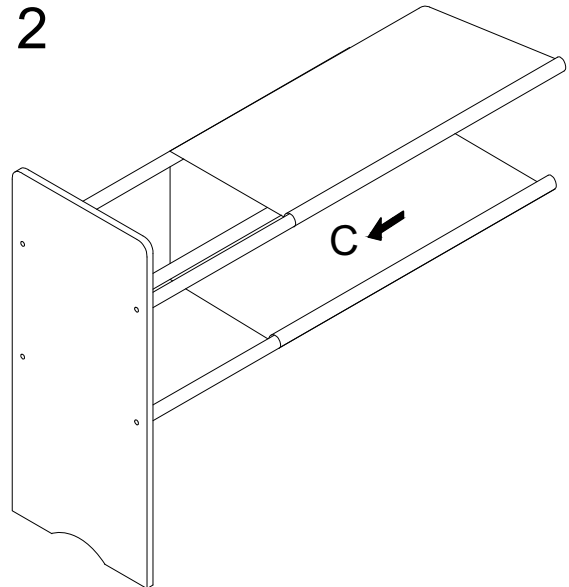


Cx1

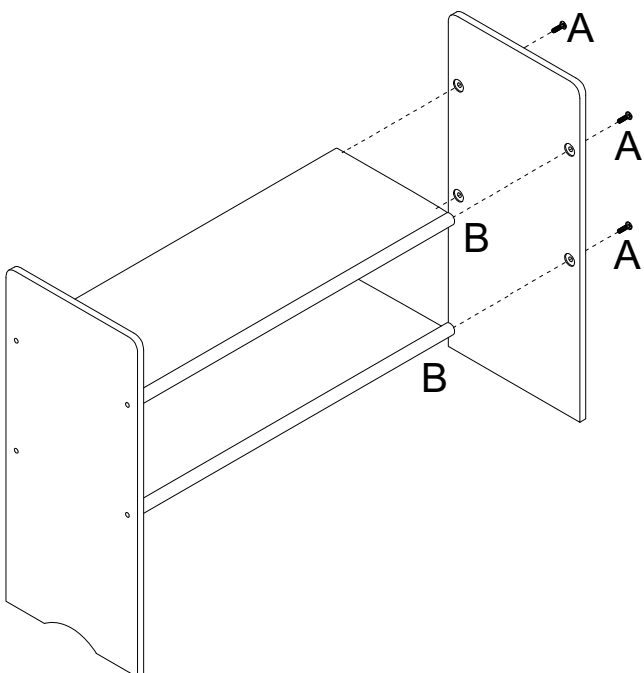
1



2



3



4

