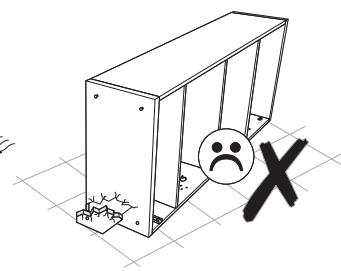
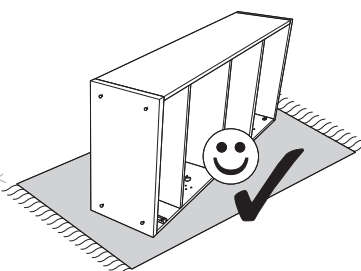
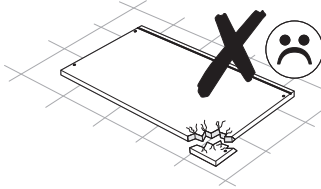
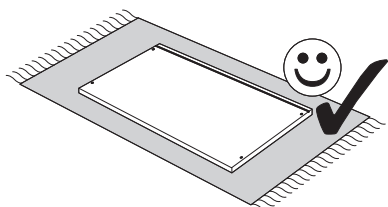
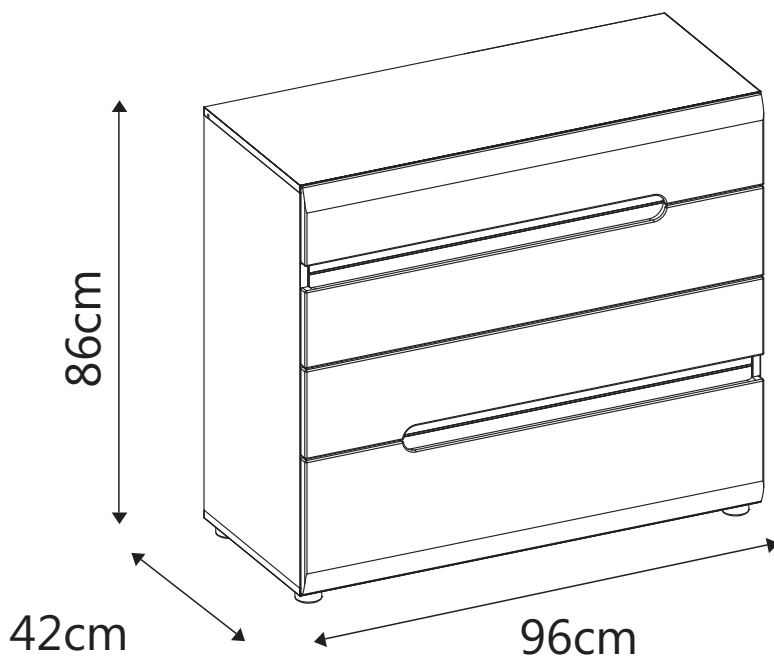
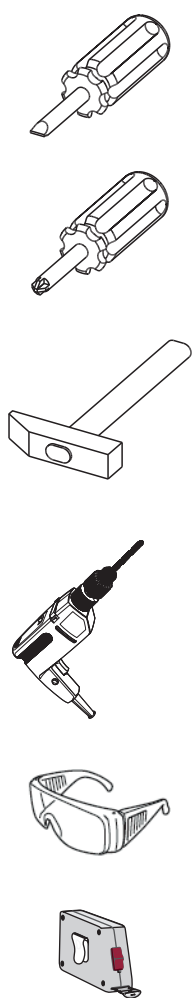
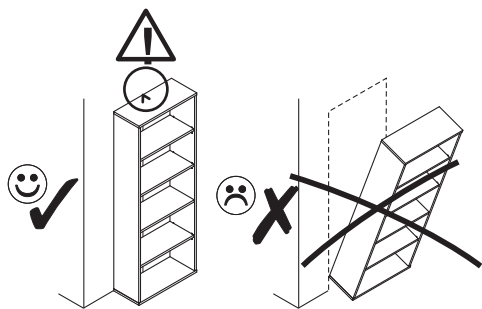
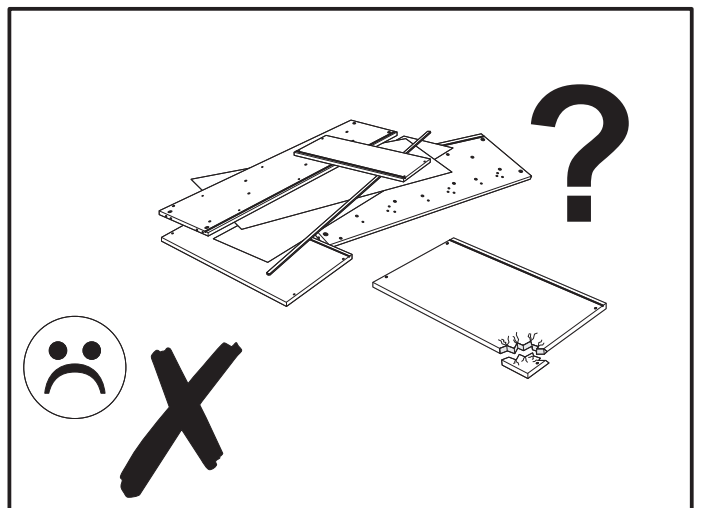
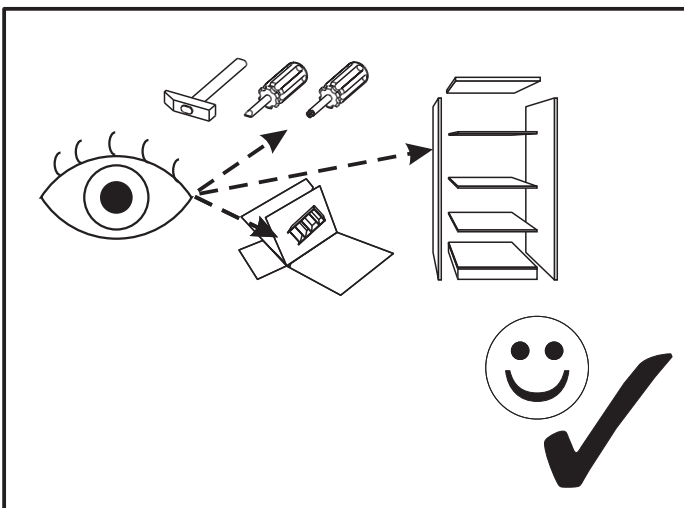
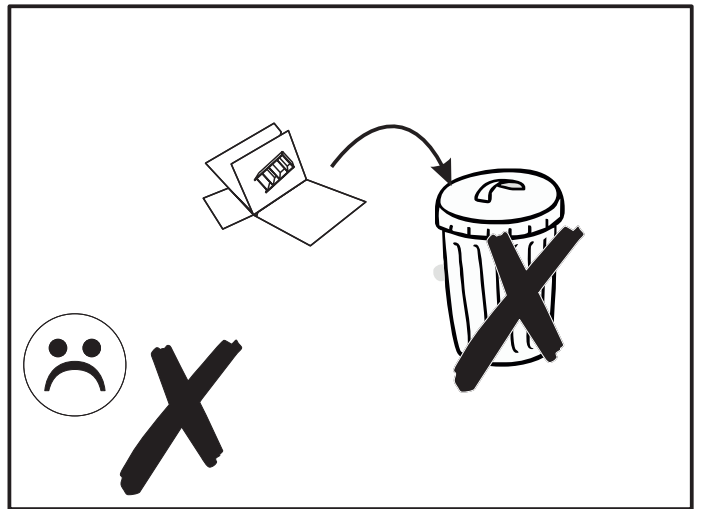
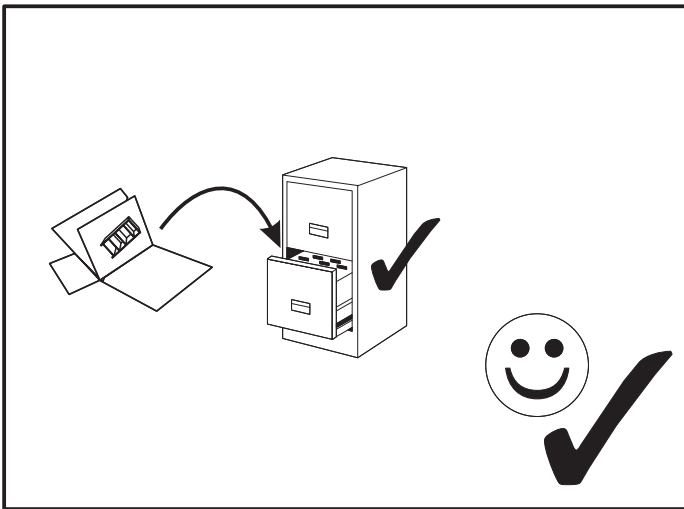
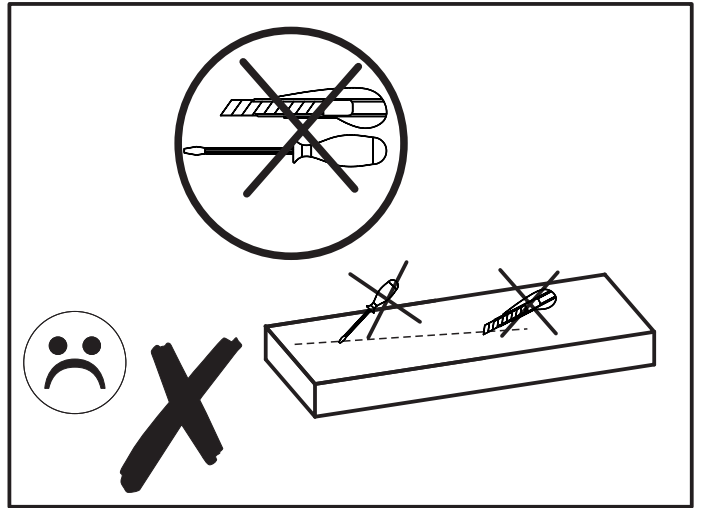
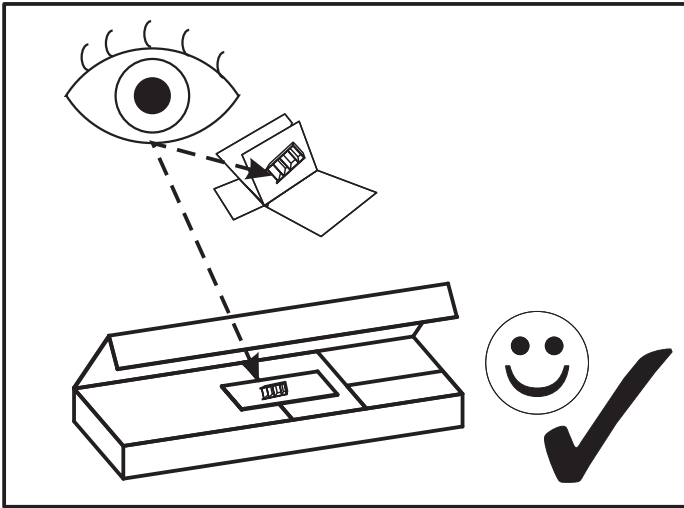
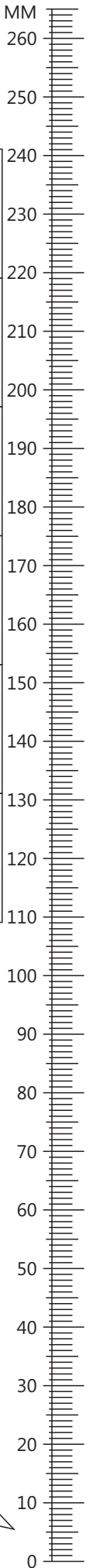


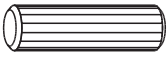







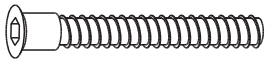



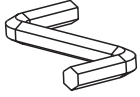

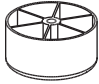
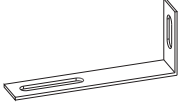

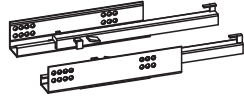
# LYNATET 44

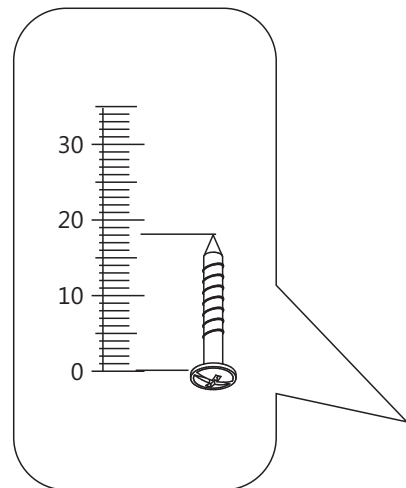


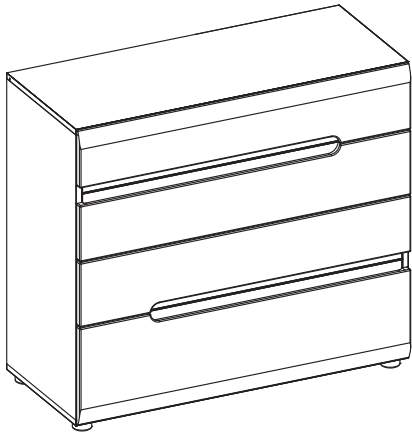


# LYNATET 44

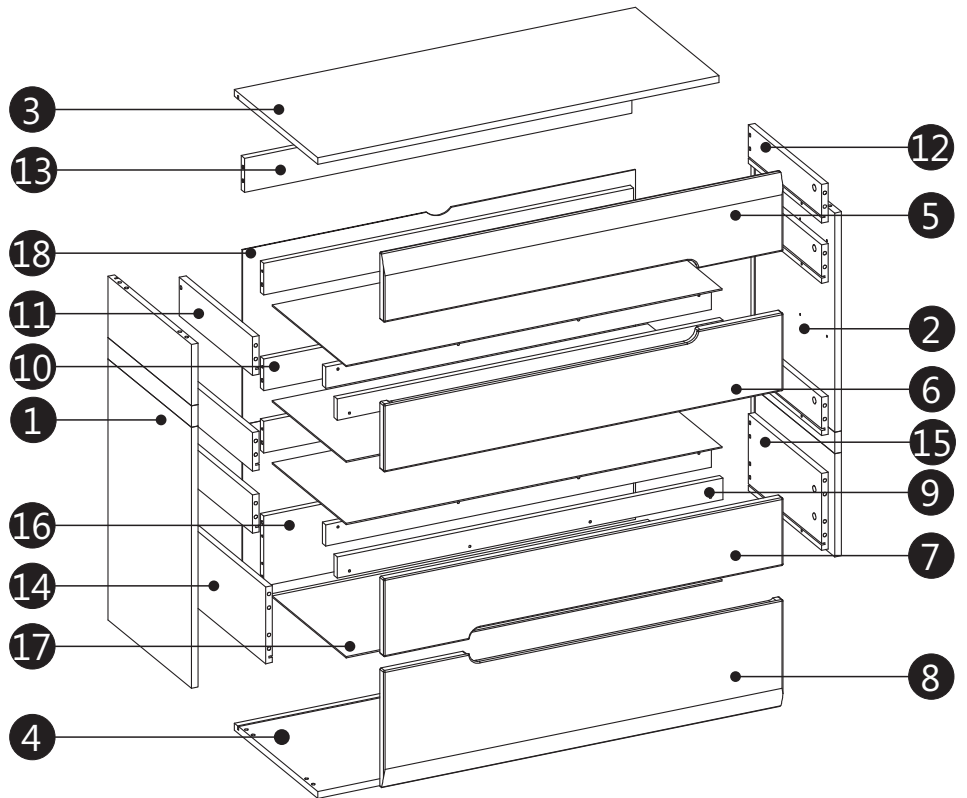


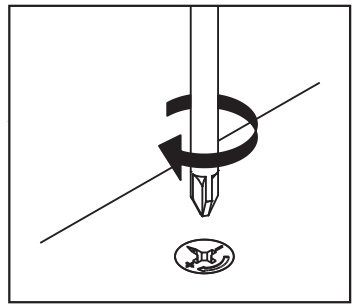
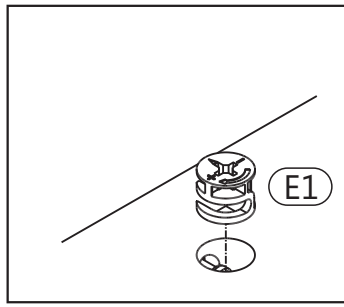
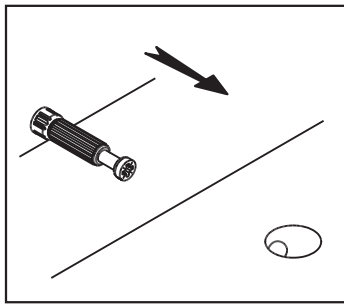
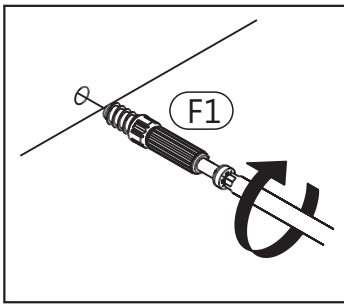
<p><b>A1</b> x30 <math>\varnothing 8 \times 35\text{mm}</math></p> 	<p><b>C2</b> x16 <math>5 \times 13\text{mm}</math></p> 	<p><b>E0a</b> x4</p> 
<p><b>E0b</b> x12</p> 	<p><b>E1</b> x16 <math>\varnothing 15 \times 12\text{mm}</math></p> 	<p><b>F1</b> x16 <math>\varnothing 6 \times 34\text{mm}</math></p> 
<p><b>G0a</b> x4</p> 	<p><b>G0b</b> x10</p> 	<p><b>G1</b> x14 <math>\varnothing 7 \times 50\text{mm}</math></p> 
<p><b>I2</b> x1 <math>4 \times 16\text{mm}</math></p> 	<p><b>I5</b> x16 <math>4 \times 30\text{mm}</math></p> 	<p><b>I10</b> x4 <math>3,5 \times 22\text{mm}</math></p> 
<p><b>M</b> x1</p> 	<p><b>N1</b> x40 <math>3 \times 16\text{mm}</math></p> 	<p><b>O15</b> x4</p> 
<p><b>Q9</b> x1</p> 	<p><b>R4</b> x8</p> 	<p><b>T11</b> x4</p> 



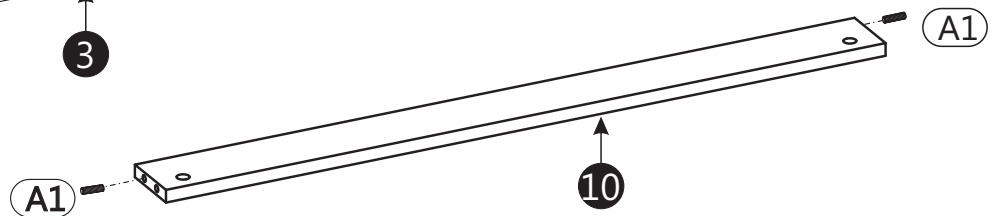
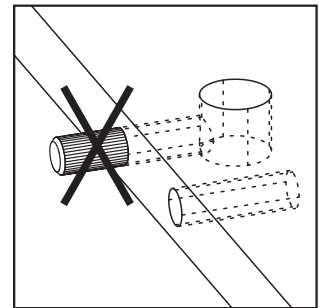
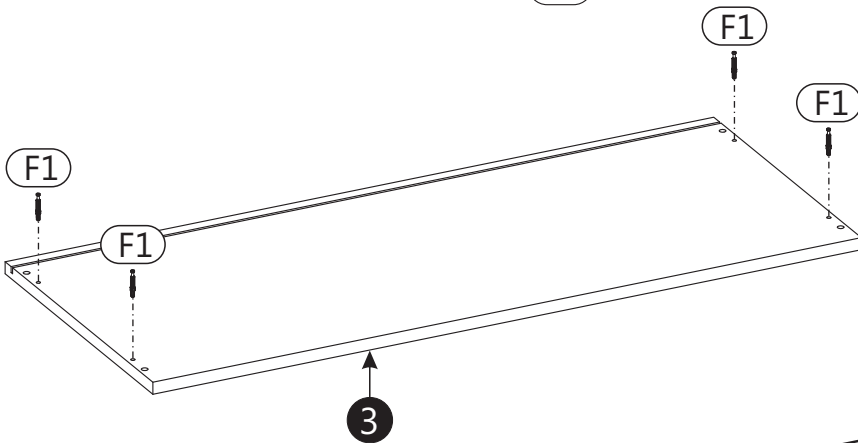
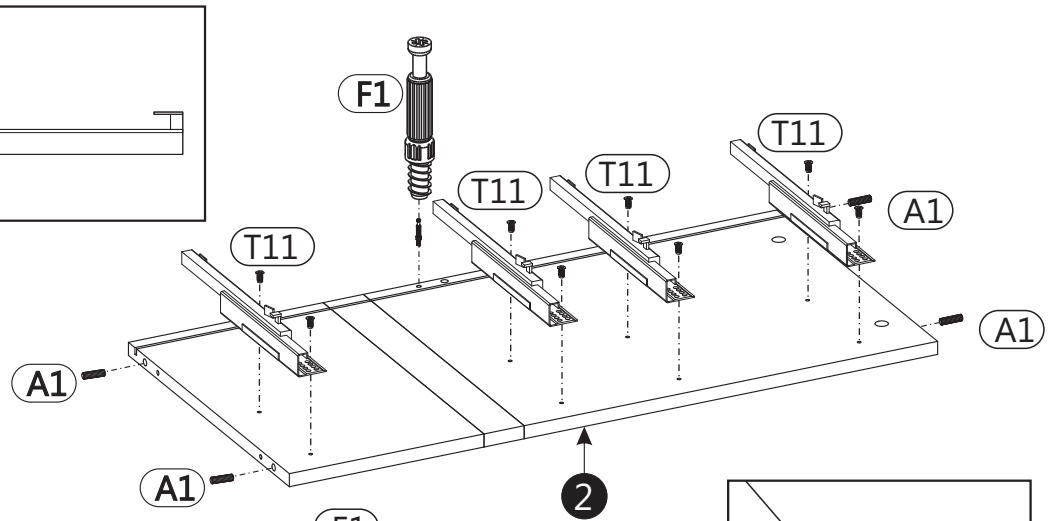
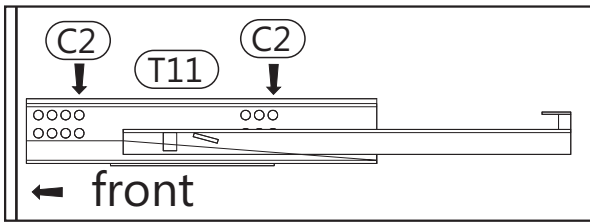
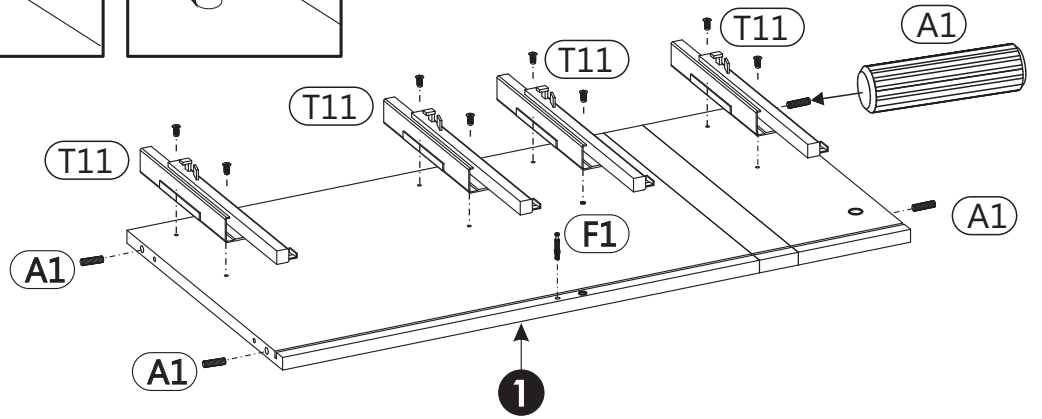
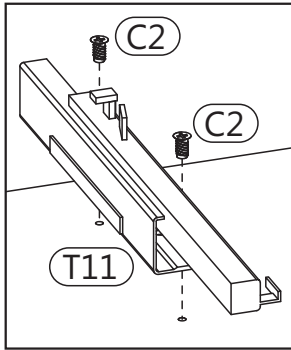
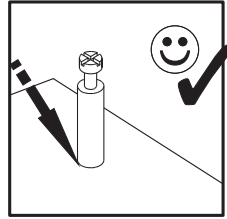
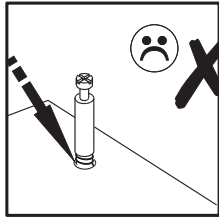


1	806	400	16	x1	1/2
2	806	400	16	x1	1/2
3	960	400	16	x1	1/2
4	960	400	16	x1	1/2
5	956	185	19	x1	1/2
6	956	185	19	x1	1/2
7	956	185	19	x1	1/2
8	956	279	19	x1	1/2
9	923	50	16	x4	1/2
10	927	80	16	x1	1/2
11	350	90	16	x3	2/2
12	350	90	16	x3	2/2
13	885	74	16	x3	2/2
14	350	180	16	x1	2/2
15	350	180	16	x1	2/2
16	885	164	16	x1	2/2
17	899	355	3	x4	2/2
18	940	820	3	x1	1/2

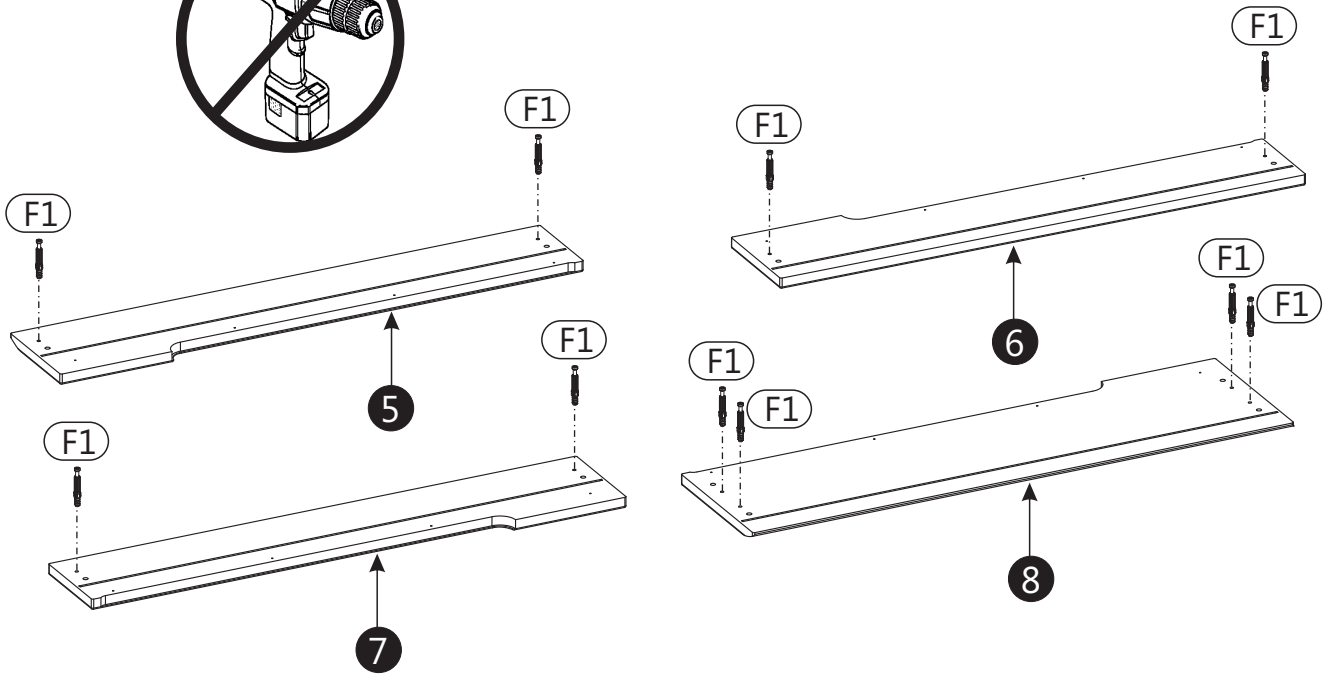
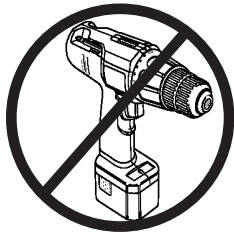




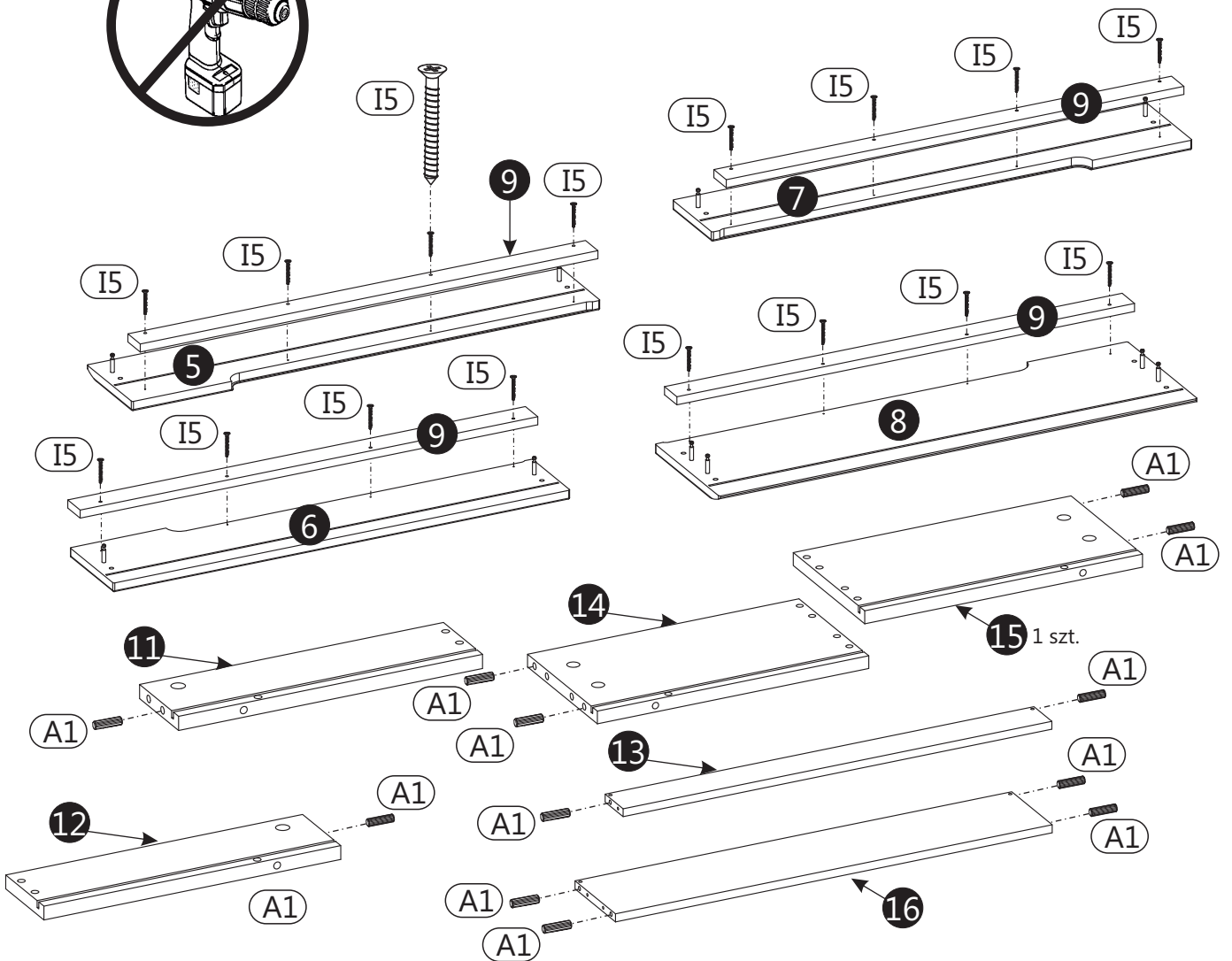
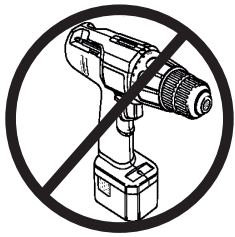
1 ▶



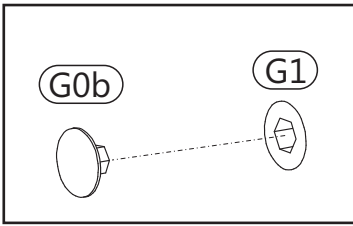
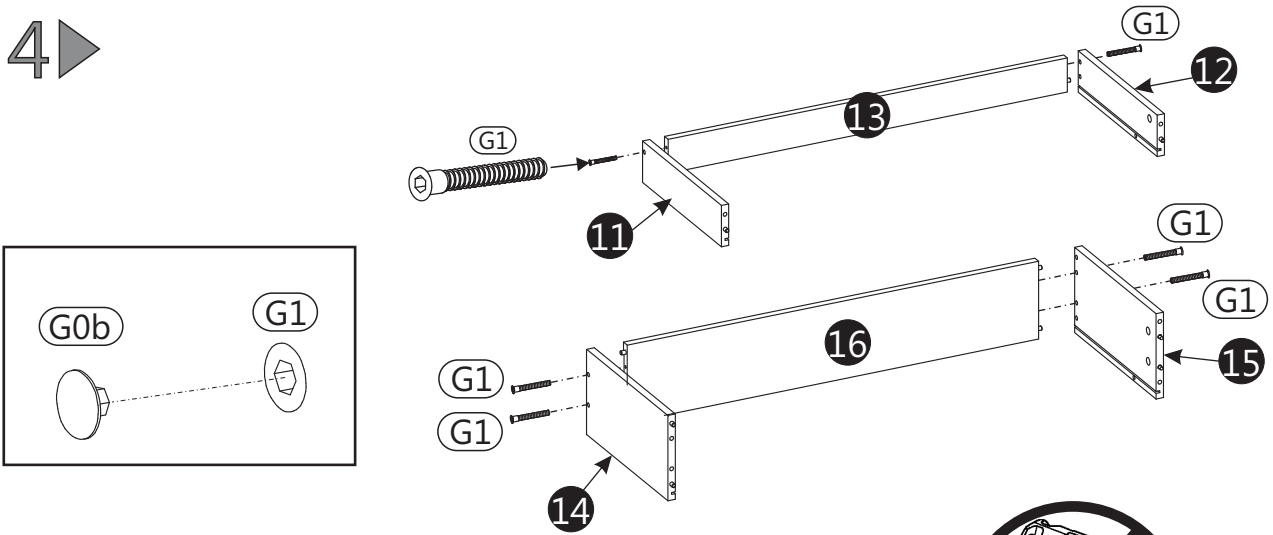
2 ▶



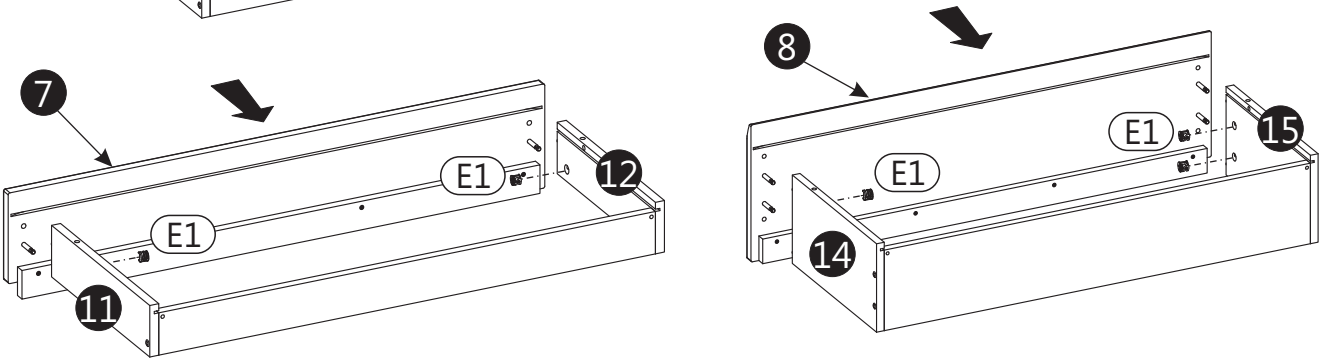
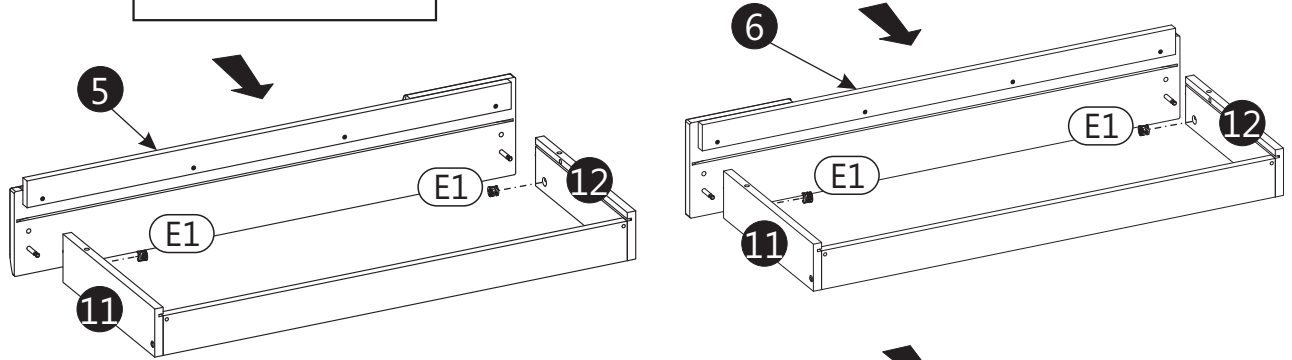
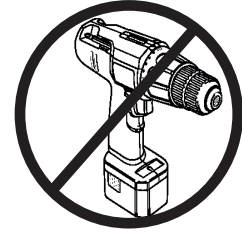
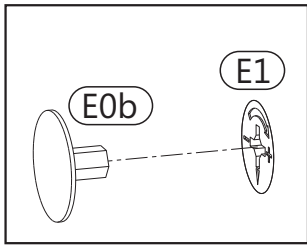
3 ▶



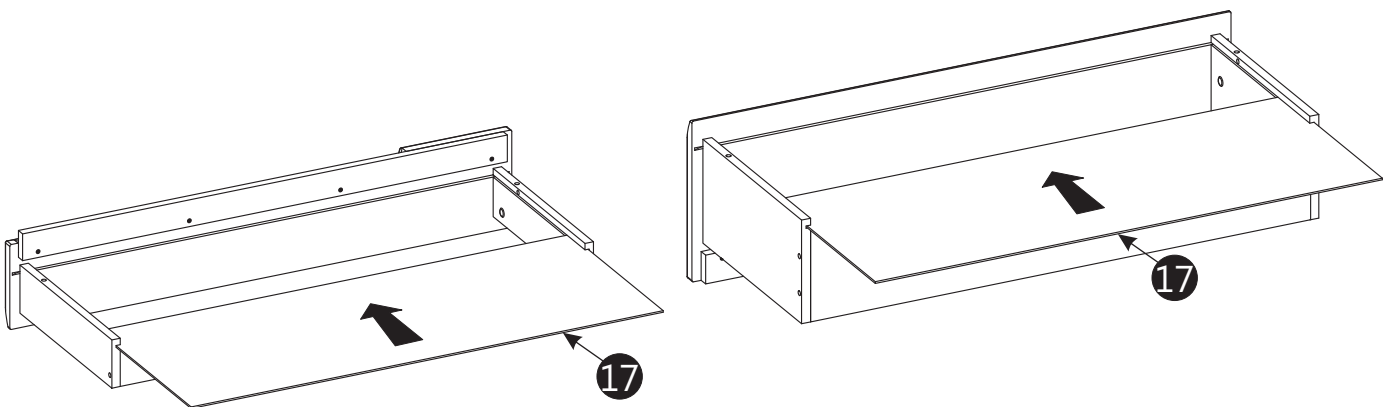
4 ▶



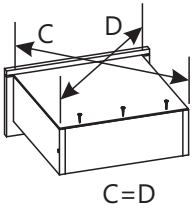
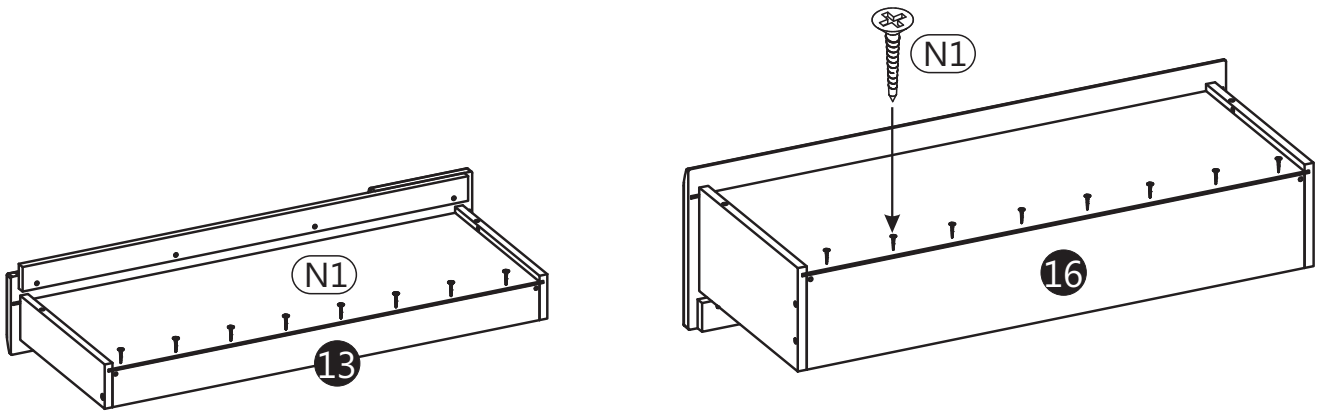
5 ▶



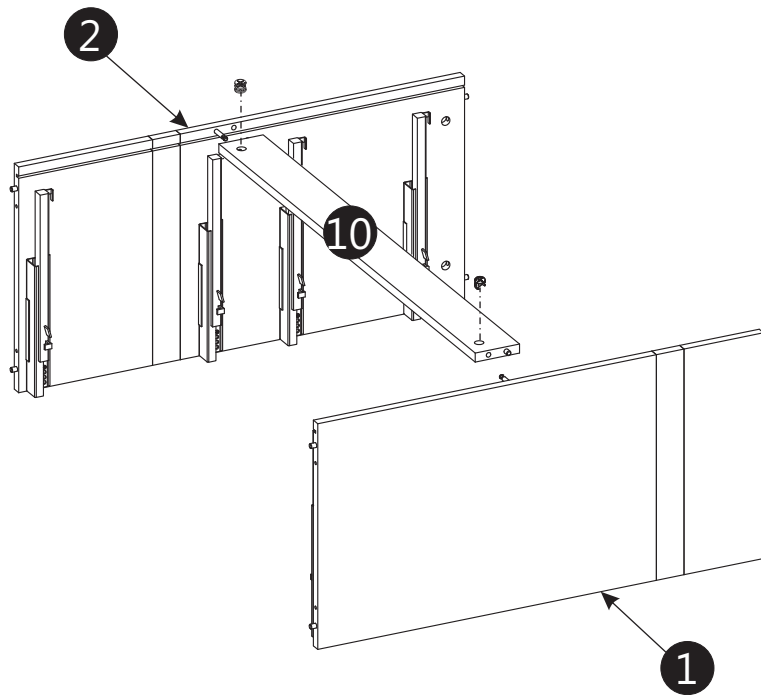
6 ▶



7 ▶

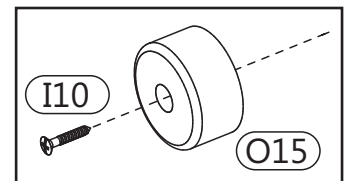
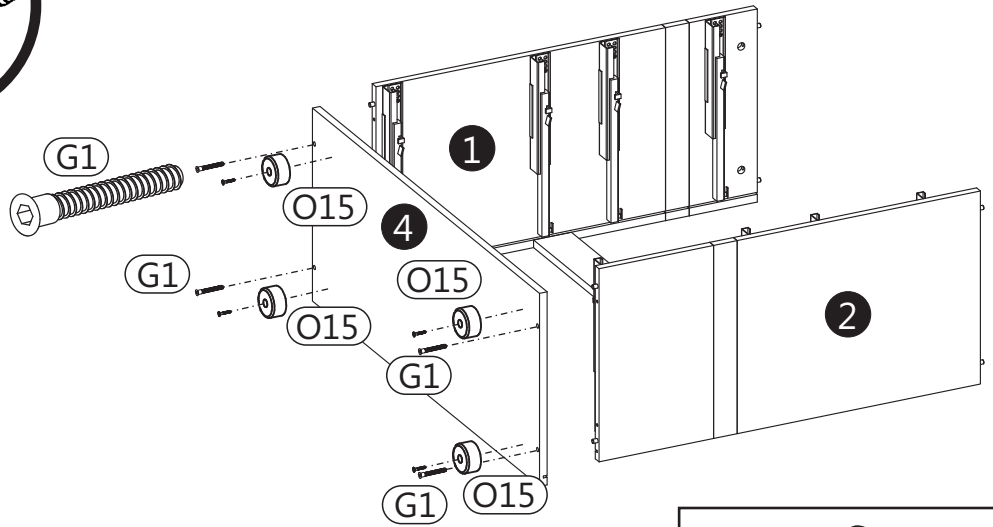
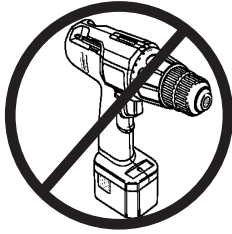


8 ▶

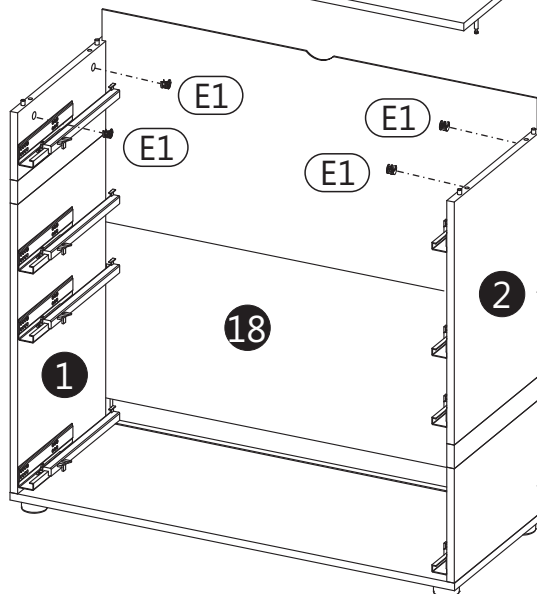
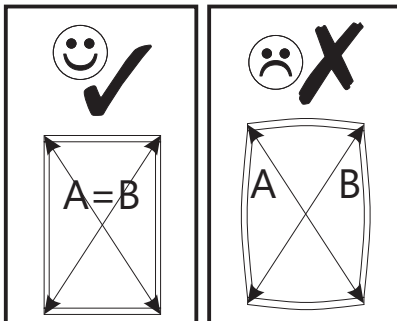
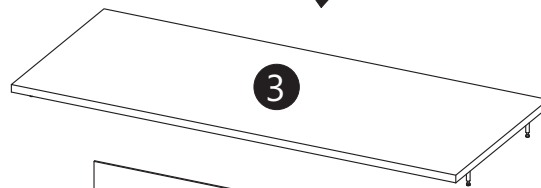
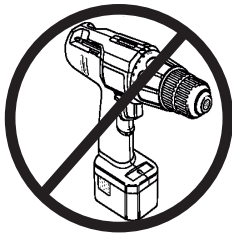




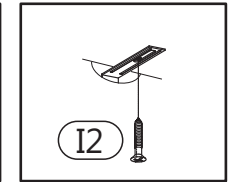
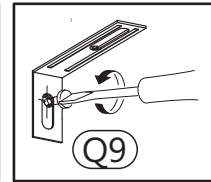
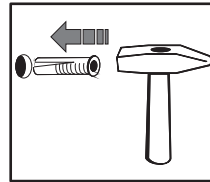
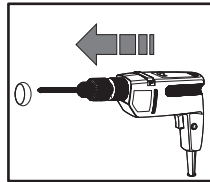
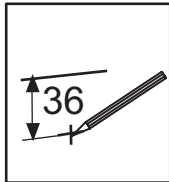
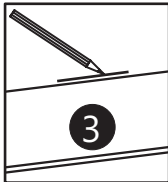
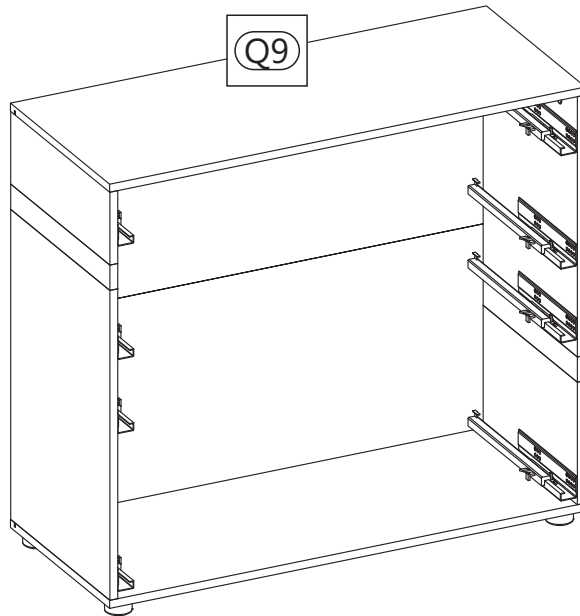
9 ▶



10 ▶



# 11 ▶

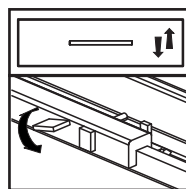
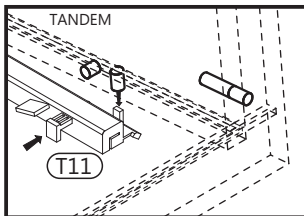
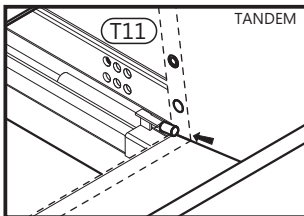
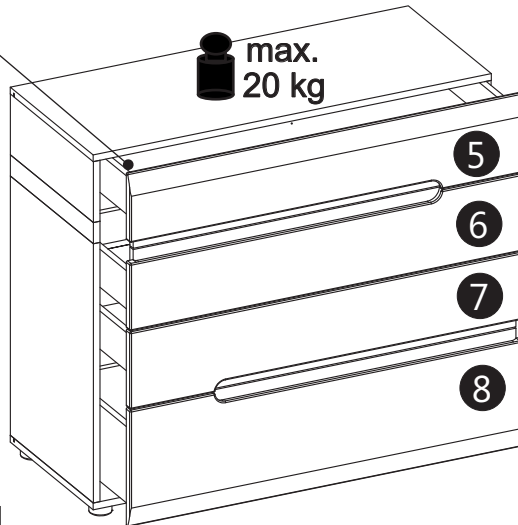


# 12 ▶

max. 3 kg 



max. 20 kg 



# 13 ▶

