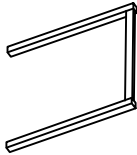

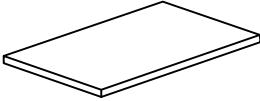

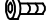

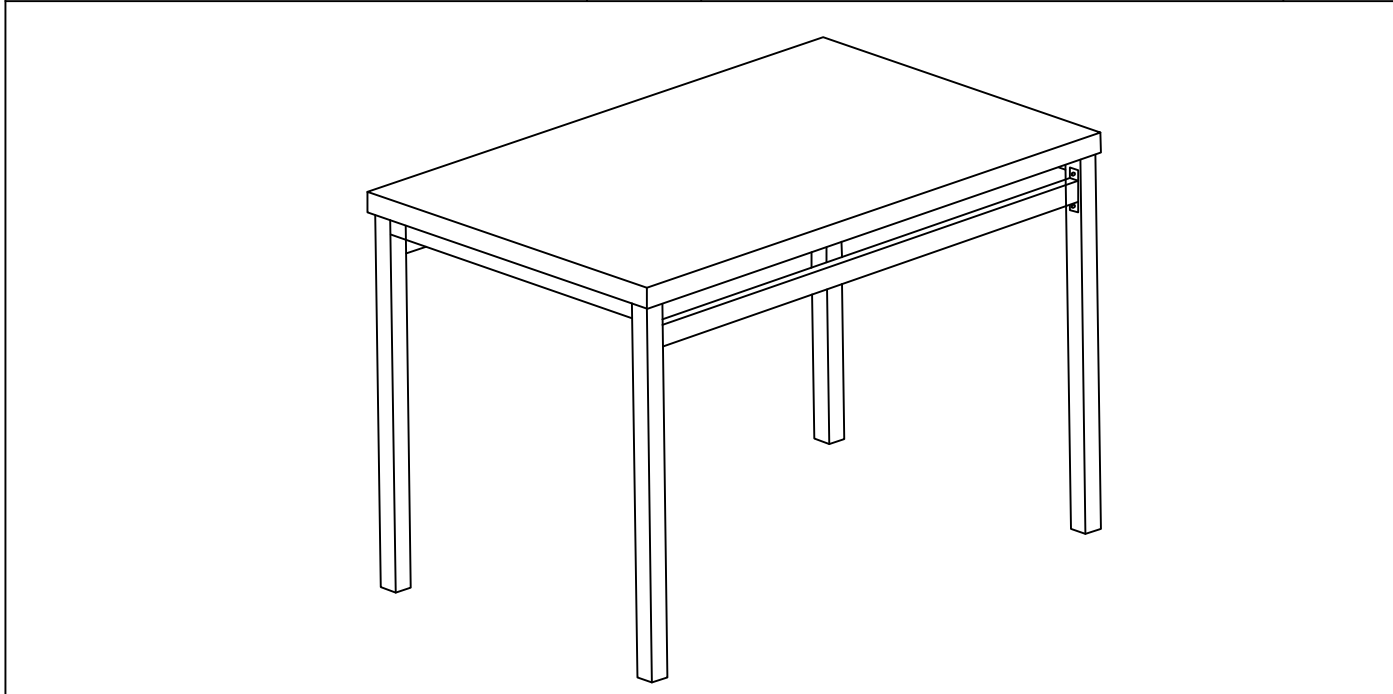
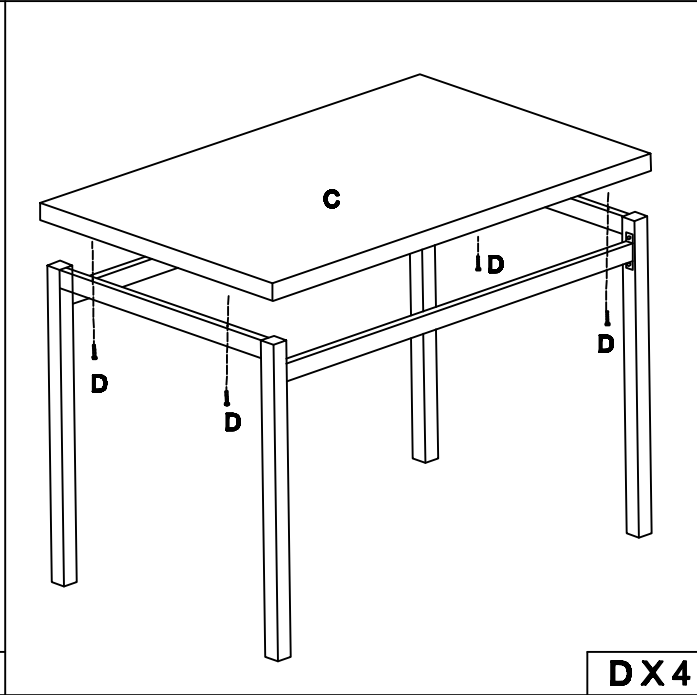
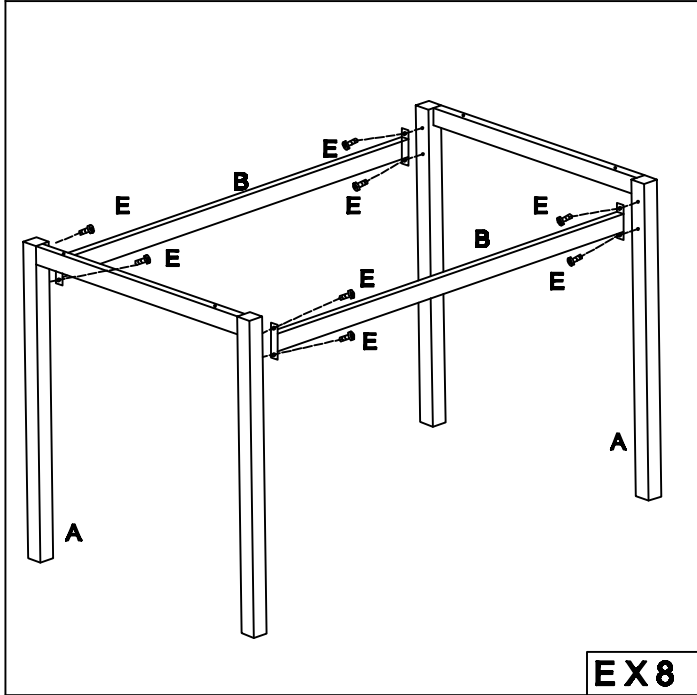




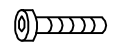
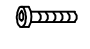



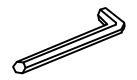
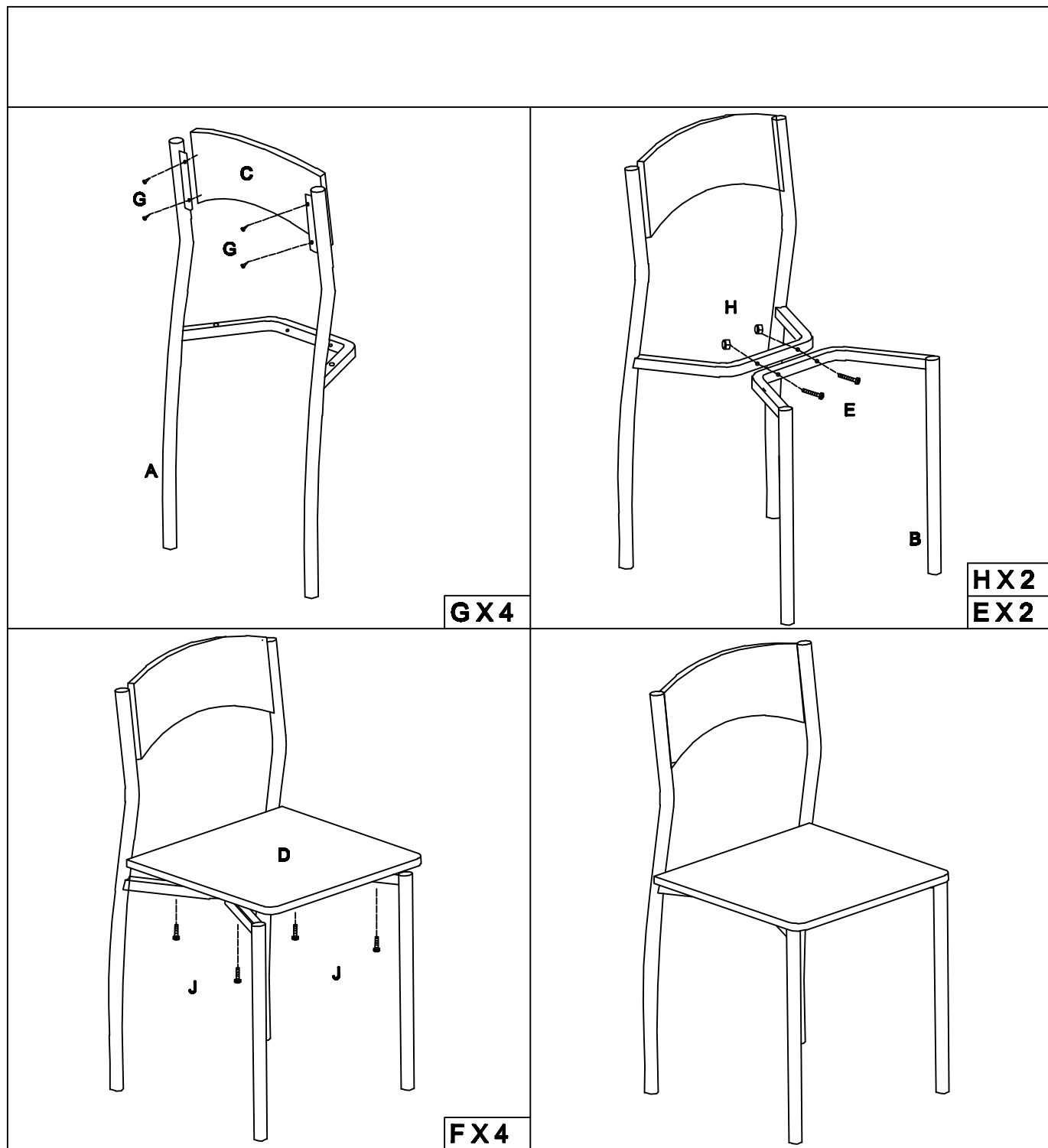


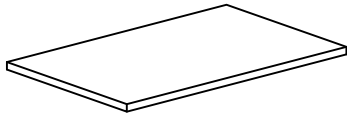
A		2x
B		2x
C		1x
D	 6X50	4x
E	 6X12	8x
F		1x

AMANDA

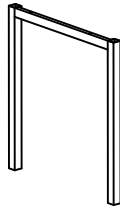


A		4x
B		4x
C		4x
D		4x
E	 6X45	8x
F	 6X30	16x
G		16x
H		8x
I		1x
J		1x





A × 1



B × 2



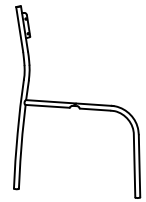
C × 2



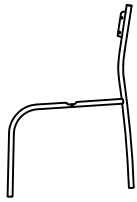
D × 4



E × 4



F × 4

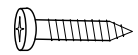


G × 4



M6

H × 4



M4 × 12mm

I × 16



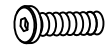
M6 × 12mm

J × 8



M6 × 32mm

K × 4



M6 × 35mm

L × 24



M6 × 50mm

M × 4

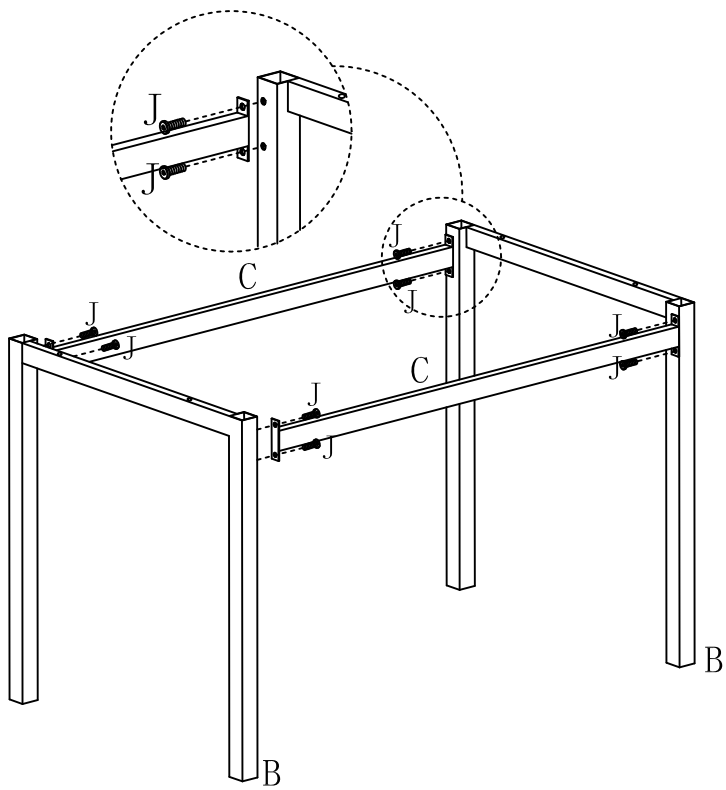


N × 1

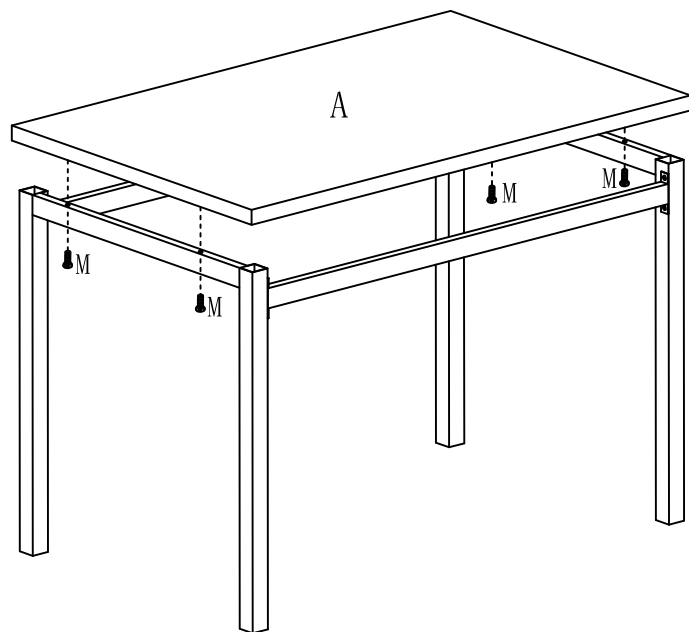


O × 1

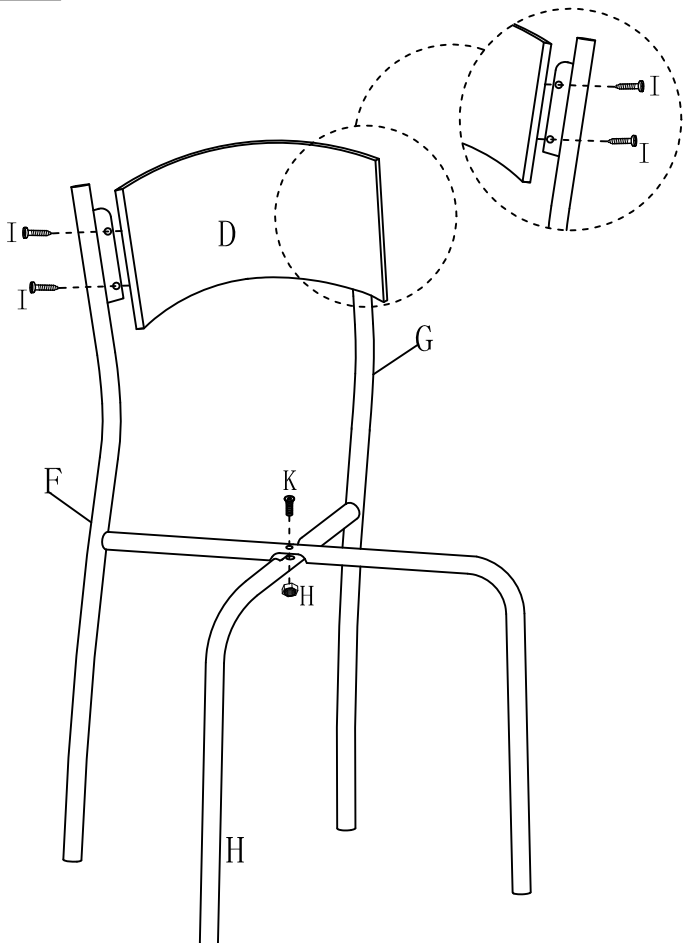
1



2



3



4

