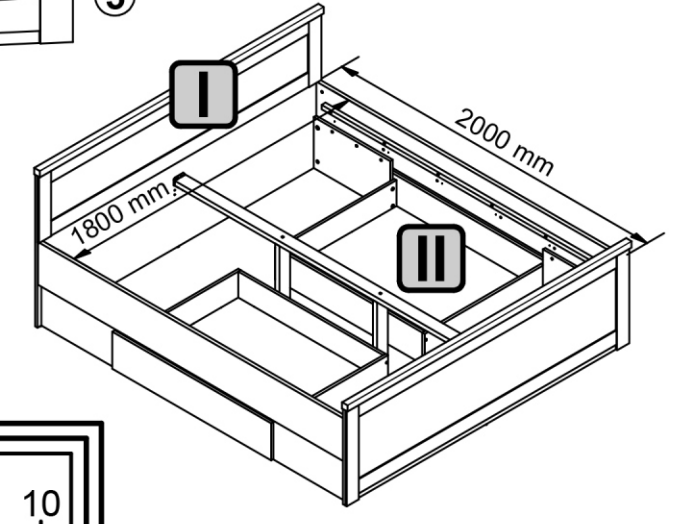


| A | B | C (mm) | | D |
|----|---------|--------|-----|-----|
| 1 | L30-006 | 1850 | 864 | 1/4 |
| 2 | L30-007 | 1850 | 544 | 2/4 |
| 3 | L30-105 | 2000 | 242 | 3/4 |
| 4 | L30-106 | 2000 | 242 | 3/4 |
| 5 | L30-402 | 500 | 290 | 3/4 |
| 6 | L30-403 | 500 | 290 | 3/4 |
| 7 | L30-575 | 1860 | 36 | 3/4 |
| 8 | ZZ1-425 | 370 | 70 | 3/4 |
| 9 | ZZ1-426 | 306 | 70 | 3/4 |
| 10 | ZZ1-719 | 1983 | 70 | 3/4 |
| 11 | ZZ1-747 | 1880 | 25 | 3/4 |

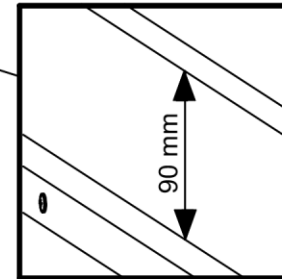
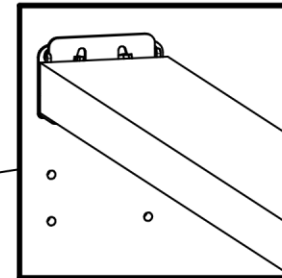
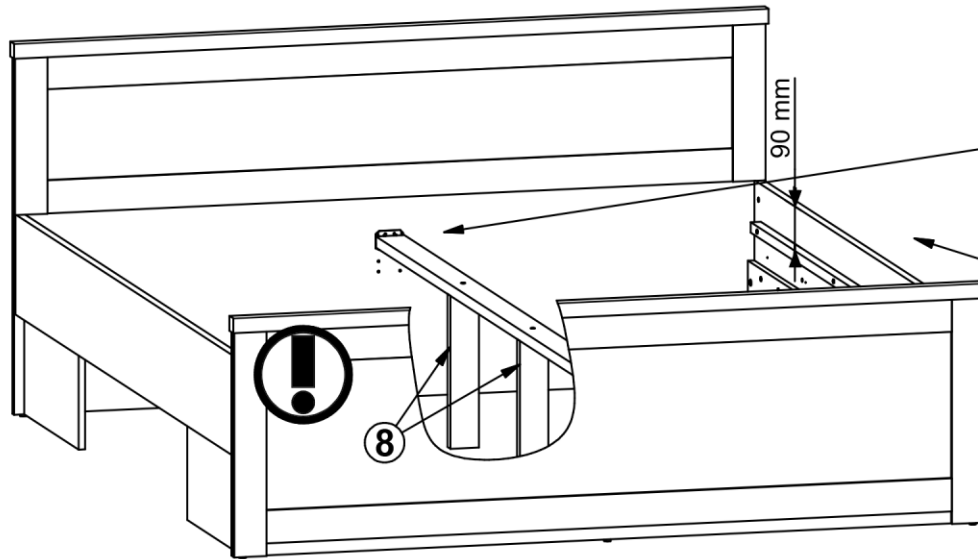
| A | B | C (mm) | | D |
|----|---------|--------|-----|-----|
| 12 | L30-008 | 1040 | 210 | 4/4 |
| 13 | L30-404 | 763 | 100 | 4/4 |
| 14 | L30-504 | 780 | 180 | 4/4 |
| 15 | L30-505 | 780 | 180 | 4/4 |
| 16 | L30-506 | 948 | 180 | 4/4 |
| 17 | L30-904 | 959 | 777 | 1/4 |



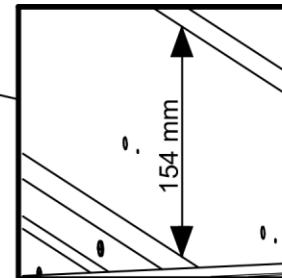
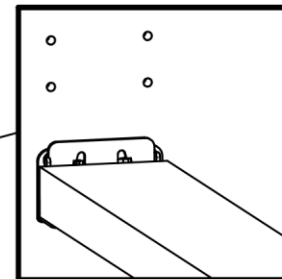
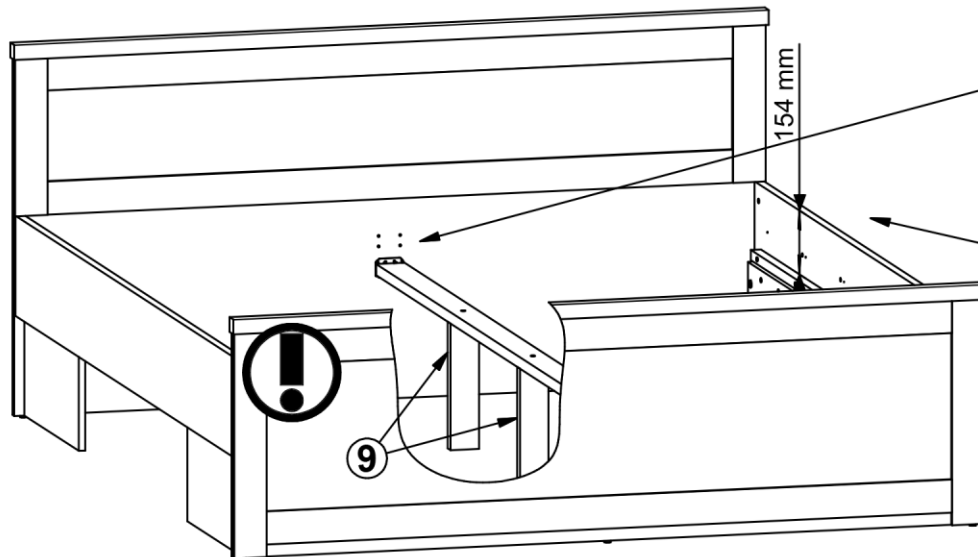
cm 0 1 2 3 4 5 6 7 8 9 10

| | | | | | | | | | | | |
|-------------------------|-------------------------|----------------------------|------------------------|---------------------------|-----------------------------|----------------------|-------------------------|----------------------|----------------------------|-----------------|----------|
| 16x Ø6,3x13 mm e2 | 8x Ø6x13 mm e3 | 2x Ø7x60 mm e8 | 12x Ø7x28 mm e22 | cm 0 1 2 3 4 5 6 7 8 9 10 | | 8x Ø7x50 mm e1 | 16x Ø6,3x13 mm e2 | 8x Ø8x30 mm f1 | 8x k44 | 32x l2 | |
| 26x Ø8x30 mm f1 | 4x M6x65 mm j132 | 6x k1 | 2x n34/1 | 2x n34/2 | 2x 130x34x34/2 mm n63 | 6x Ø4x35 mm p6 | I | | | | |
| 12x Ø4x40 mm p10 | 6x Ø3,5x25 mm p16 | 16x Ø15x12 mm #16 r1 | 16x r42 | 4x Ø10x13 mm r5/1 | 4x Ø16 s2 | 1x z1 | II | | 16x Ø15x12 mm #16 r1 | 16x r42 | |
| | | | | | | | | 8x Ø8x30 mm f1 | 8x s1 | 8x Ø16 s2 | 1x z1 |

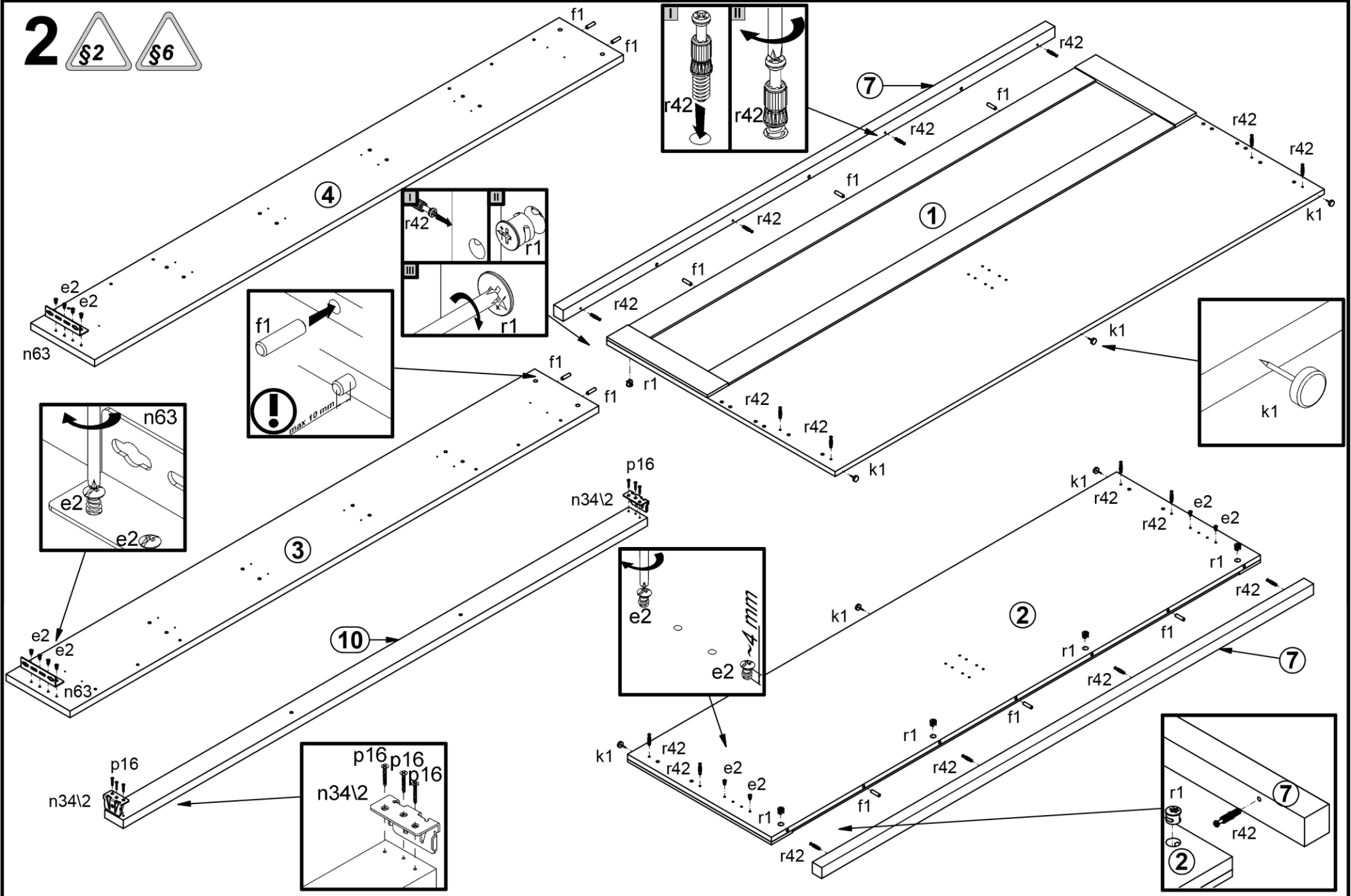
1A

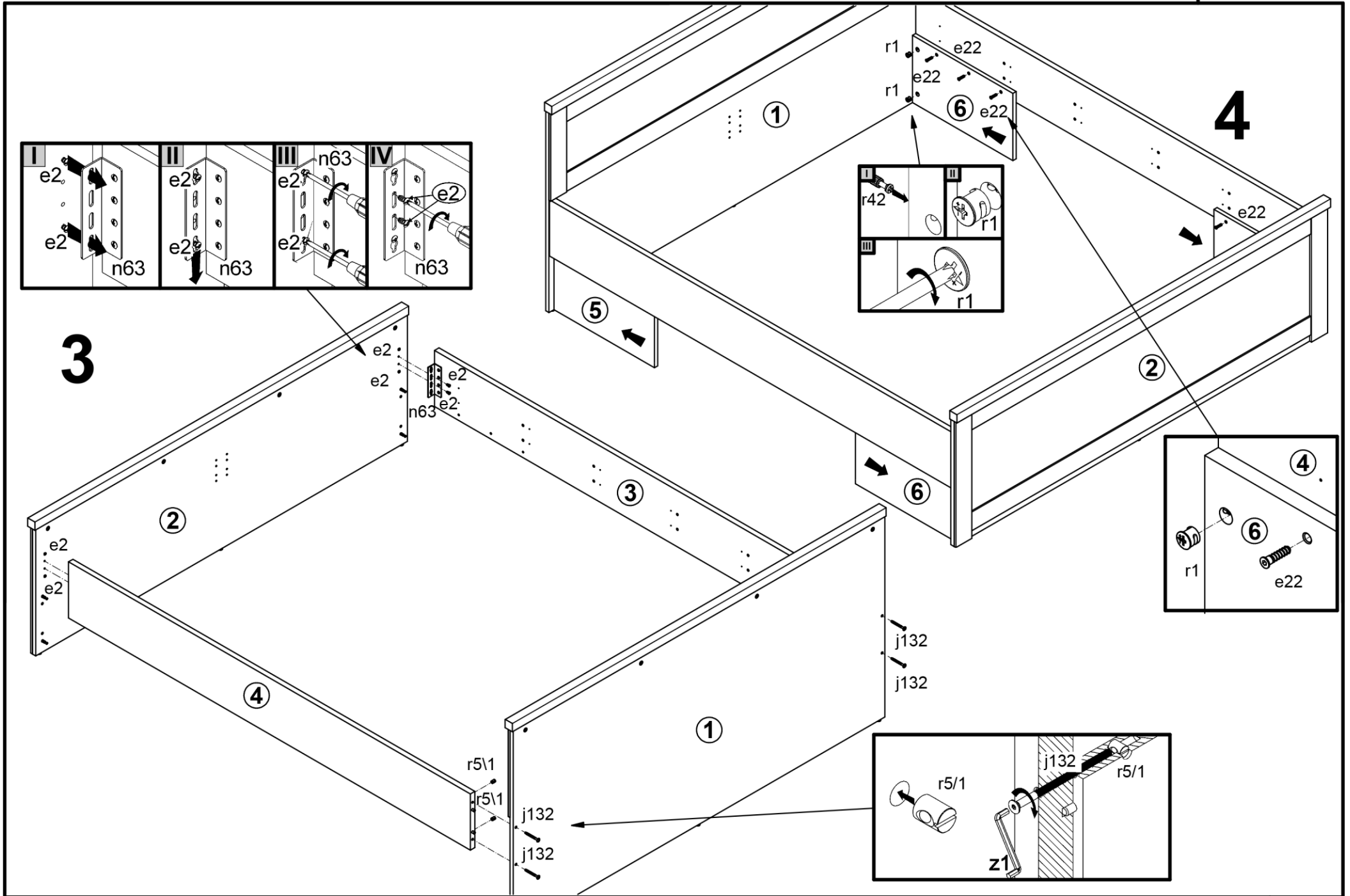


B

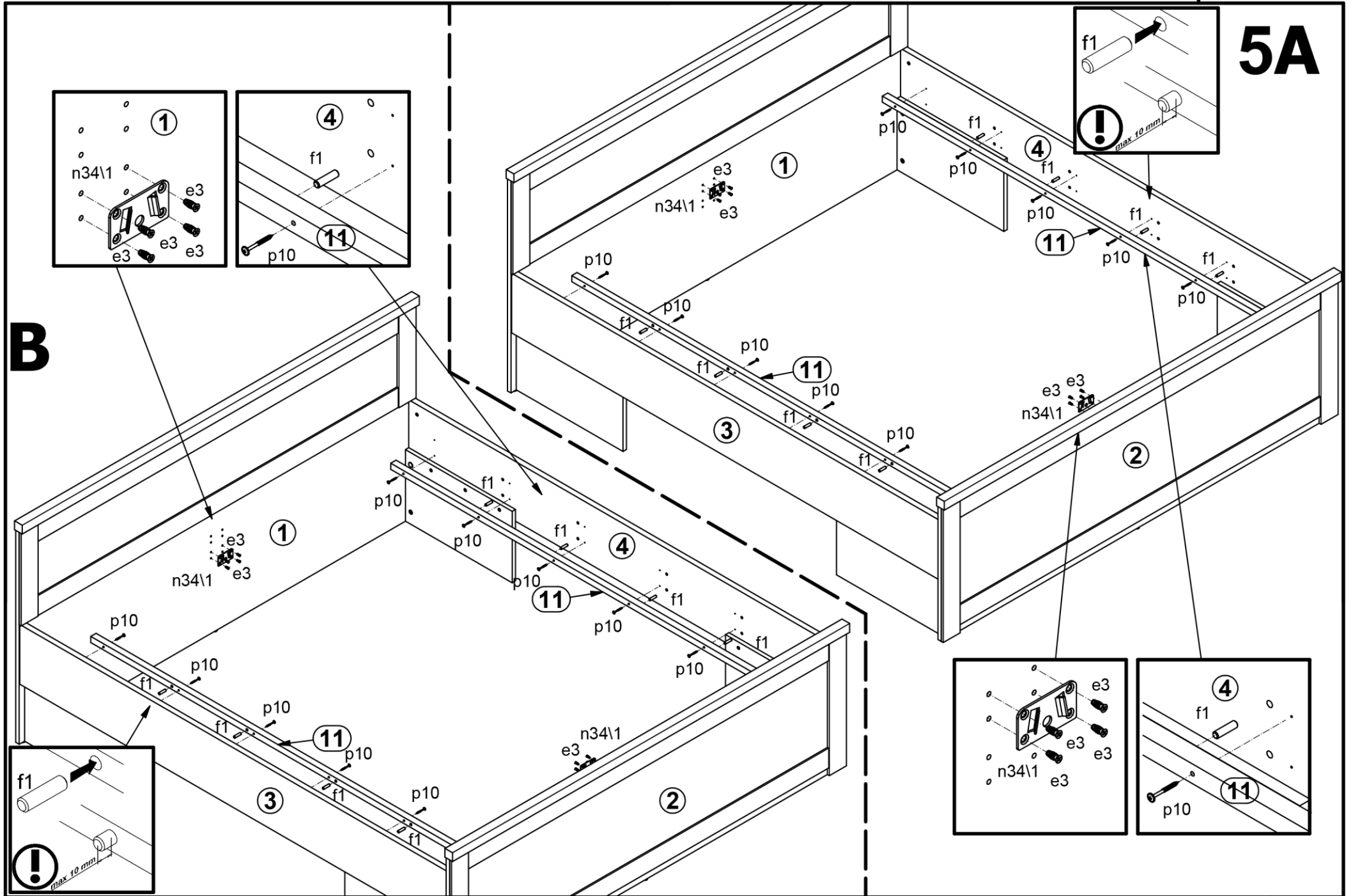


2  



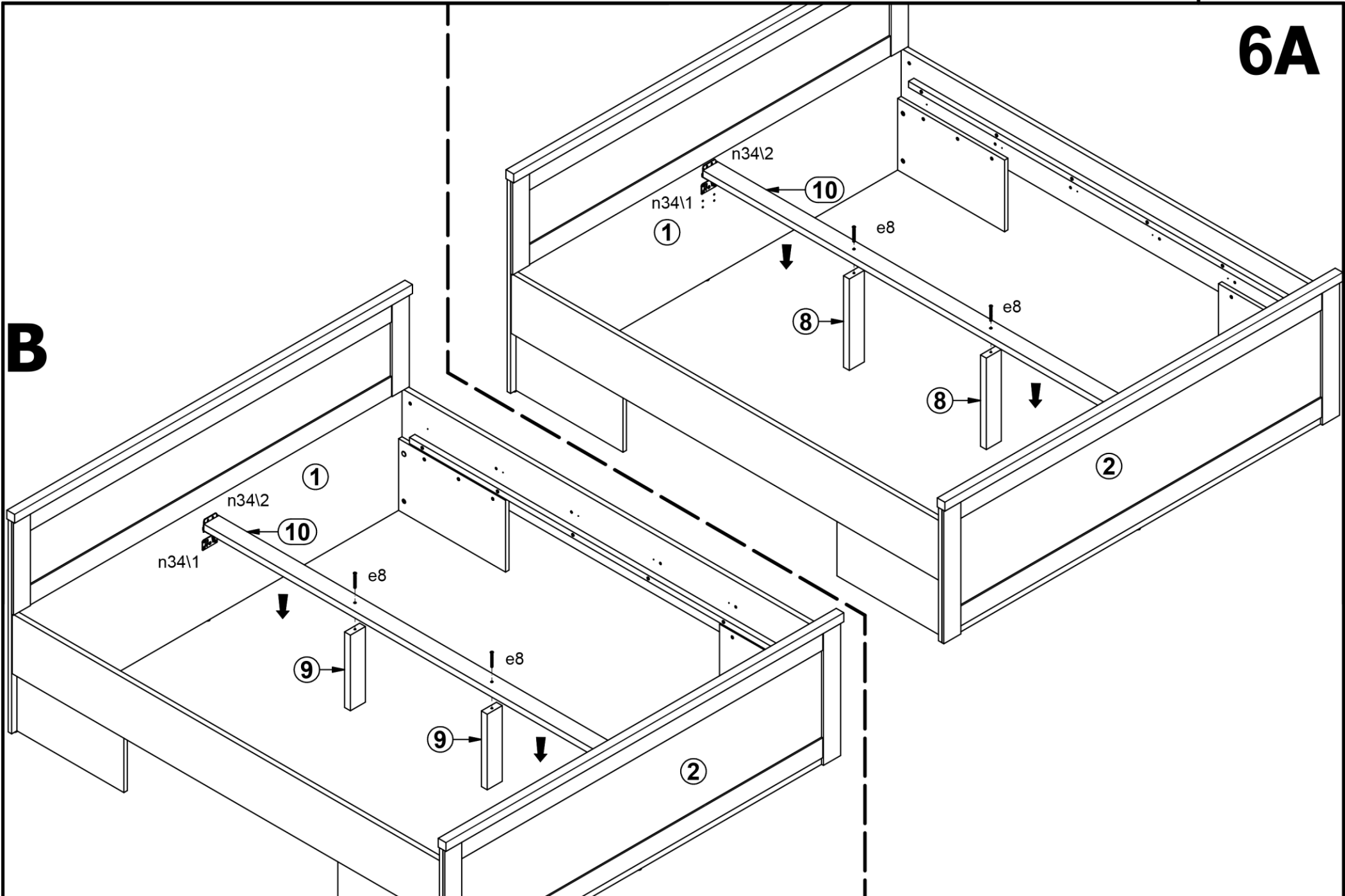


5A

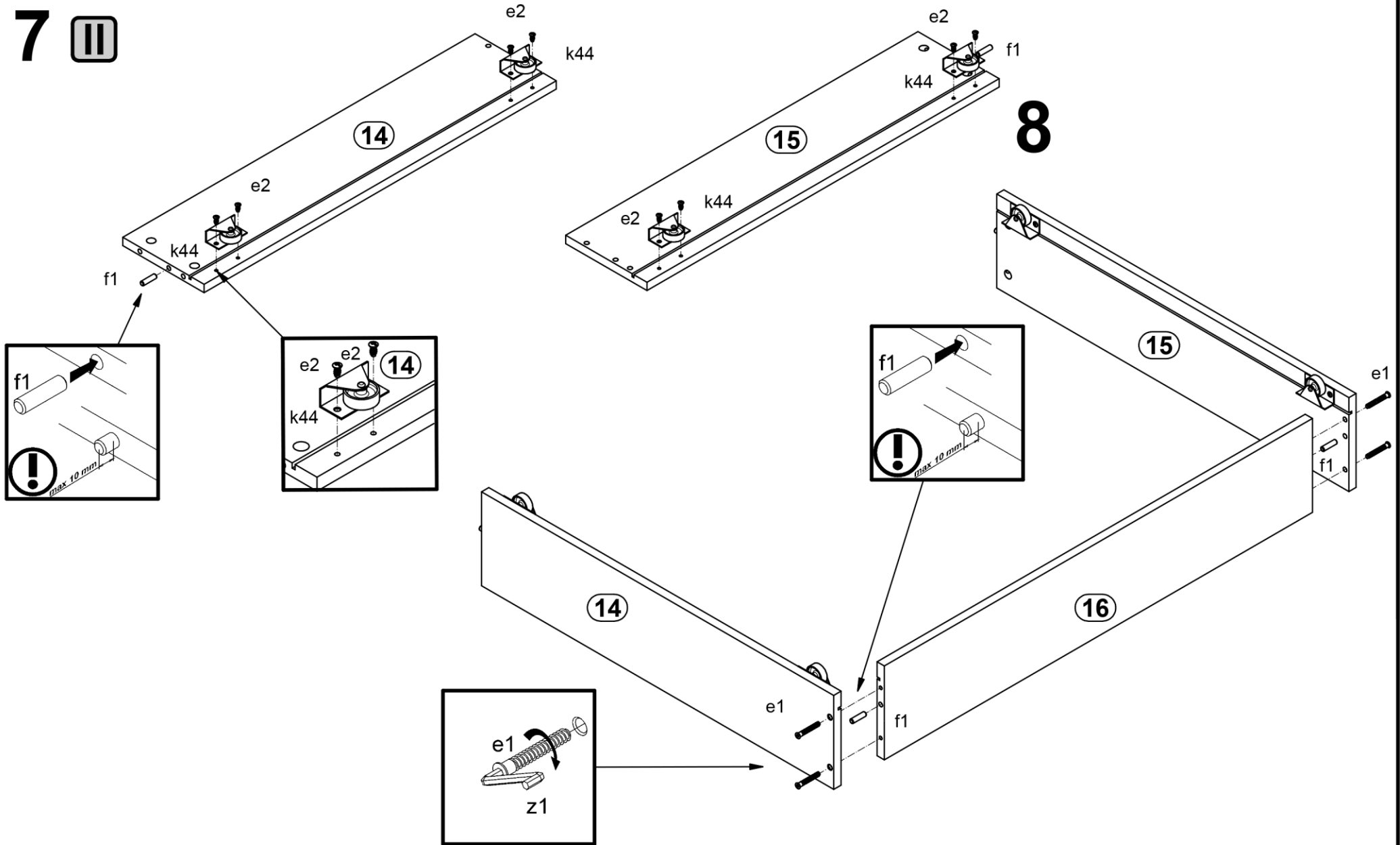


B

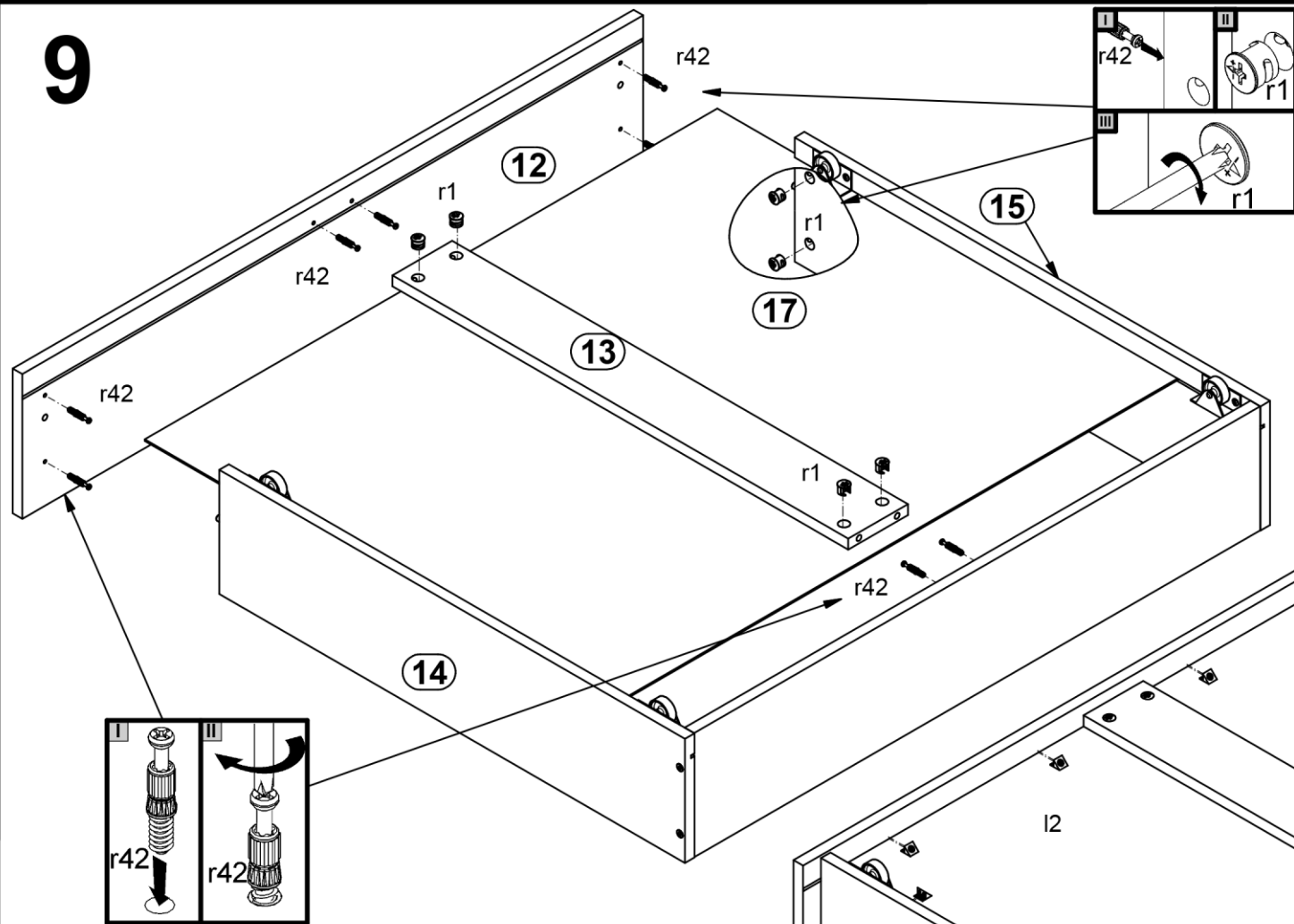
6A



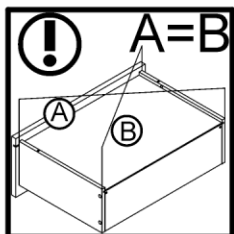
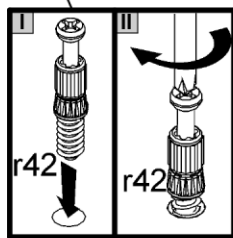
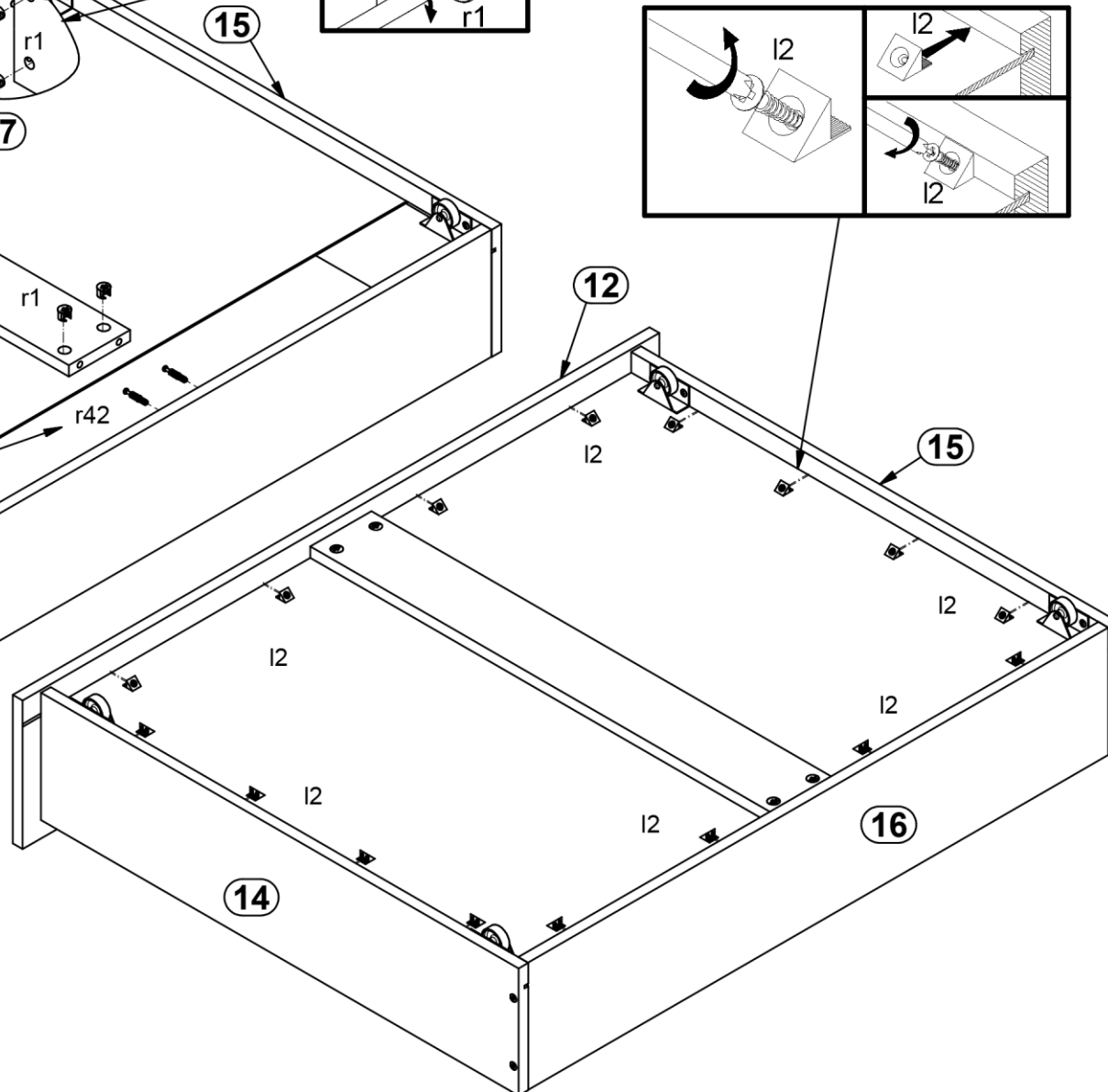
7



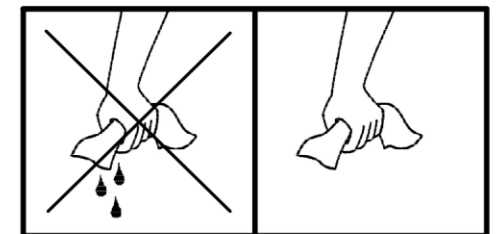
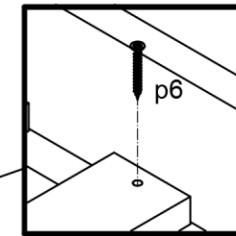
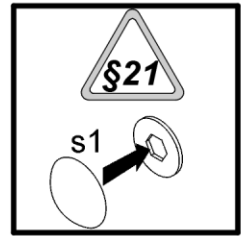
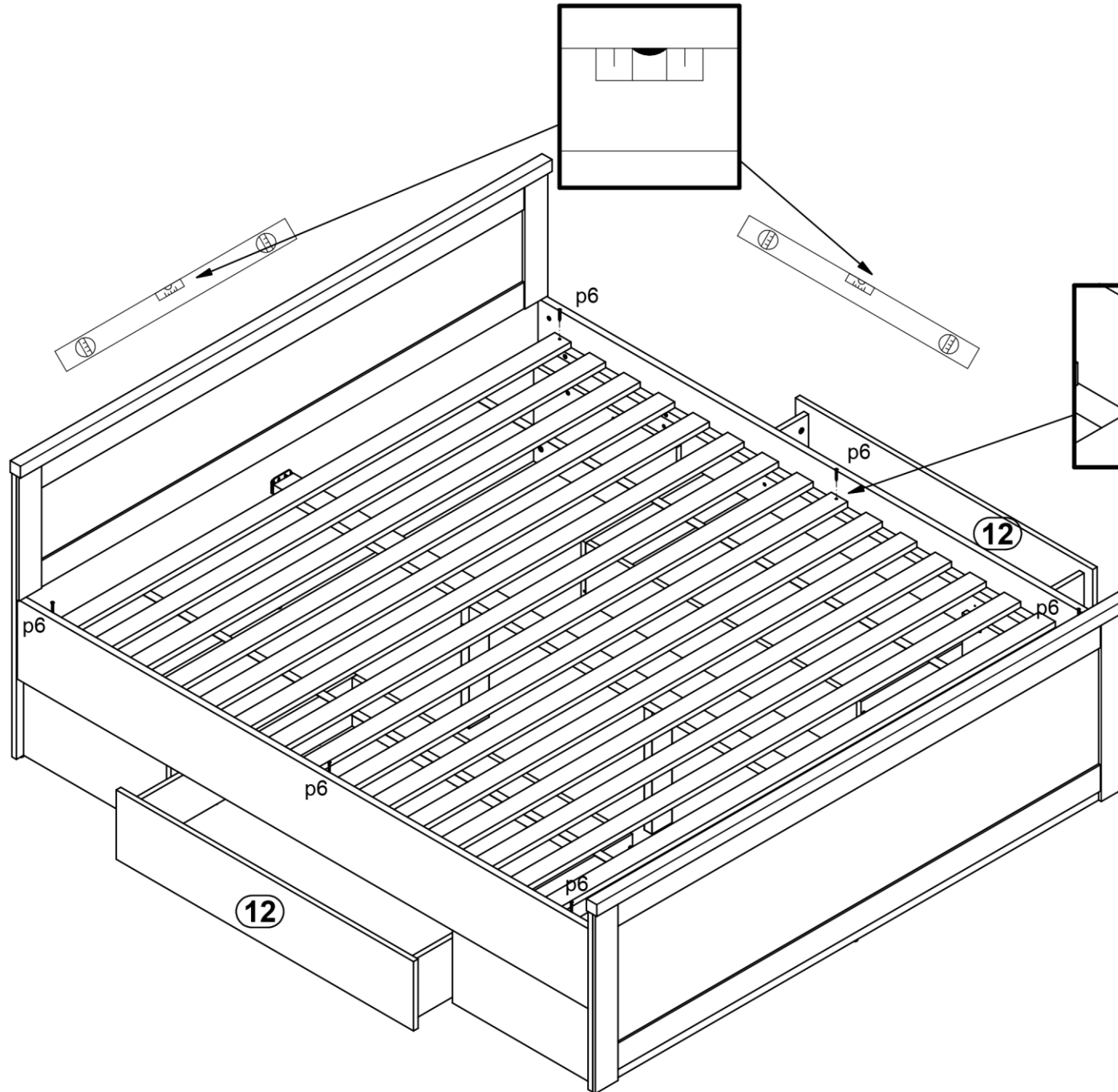
9

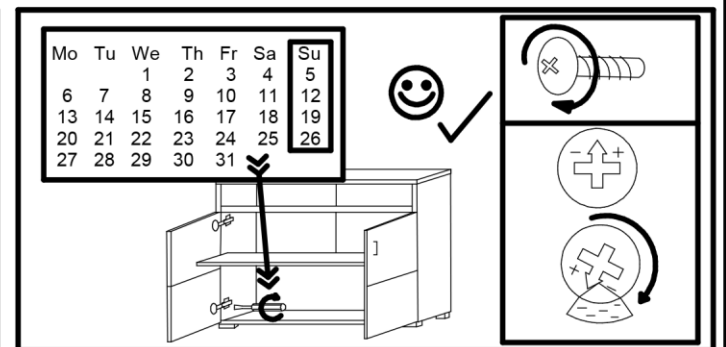
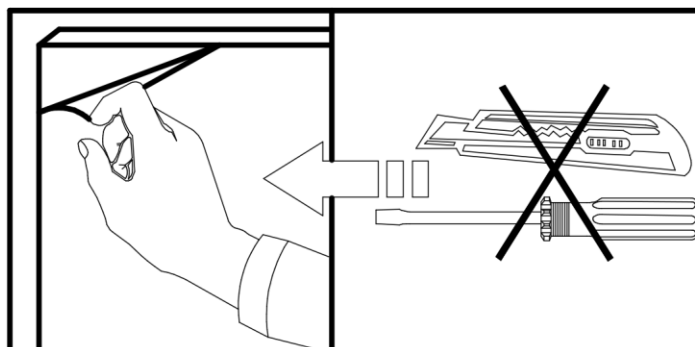
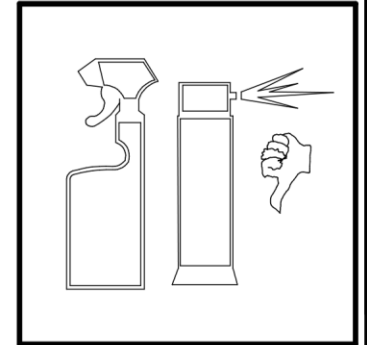
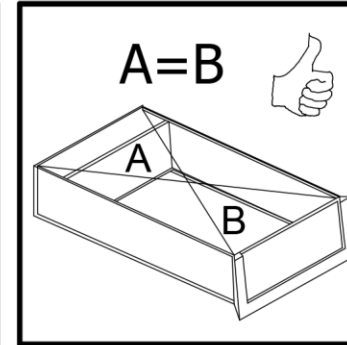
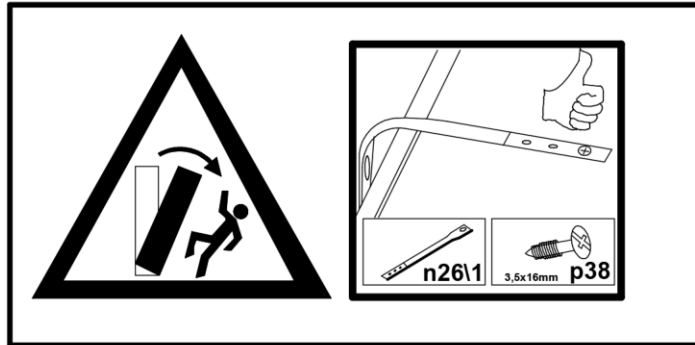
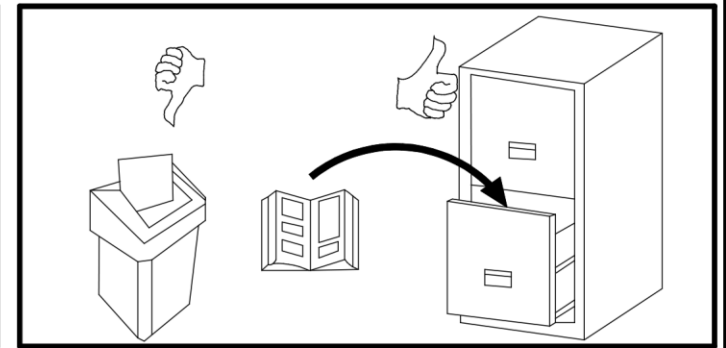
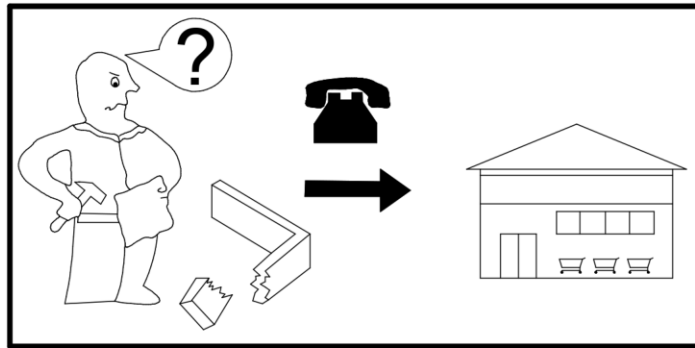
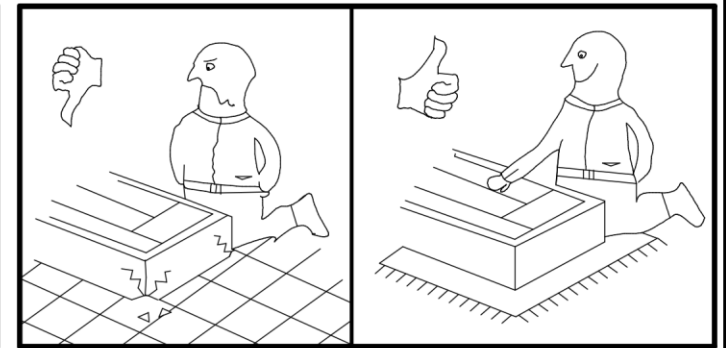
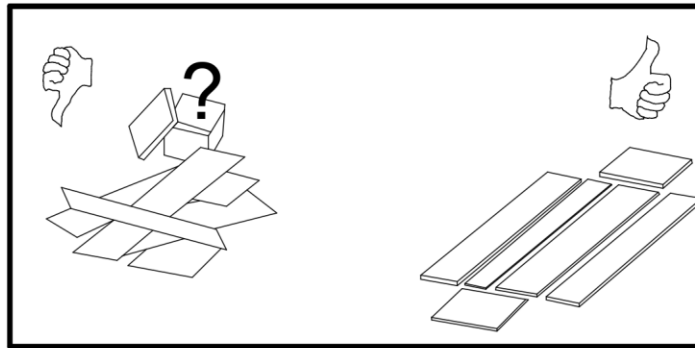


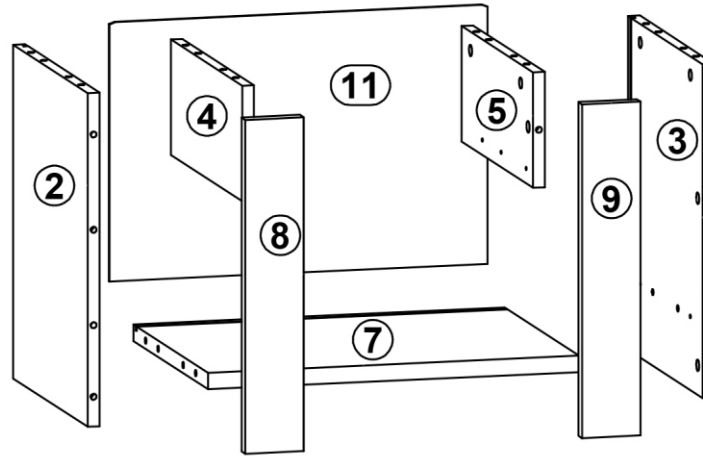
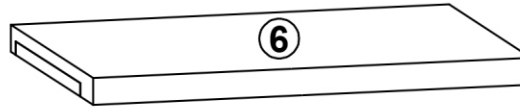
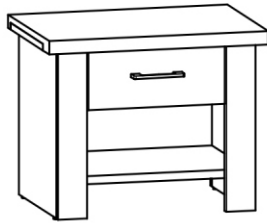
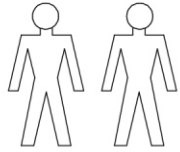
10



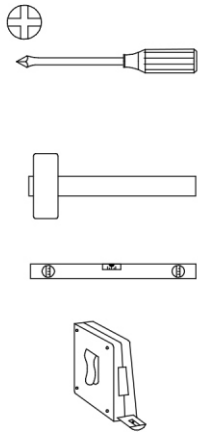
11



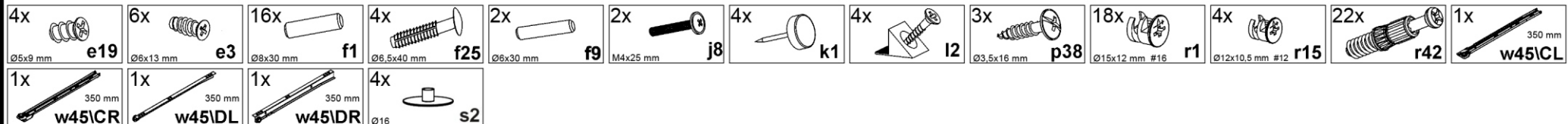
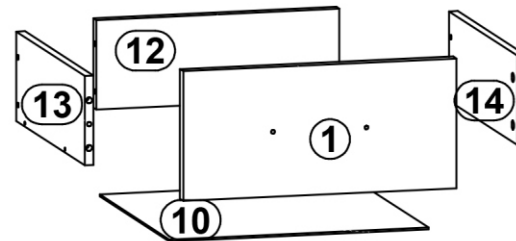




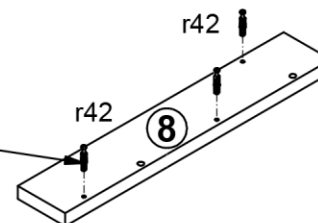
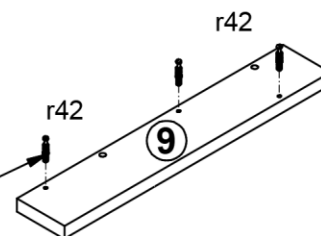
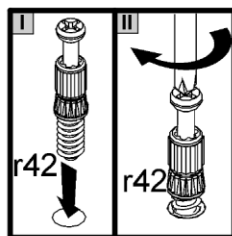
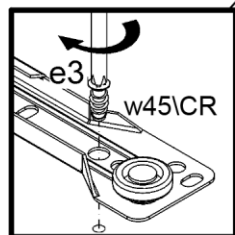
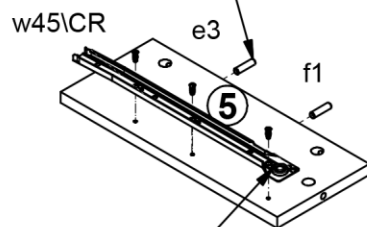
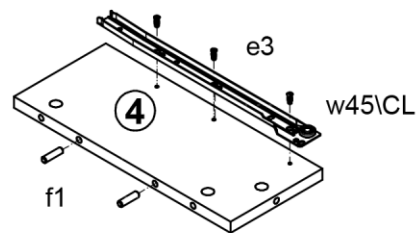
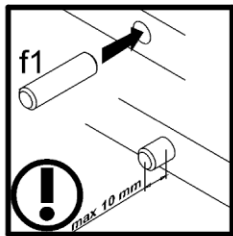
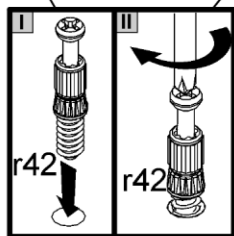
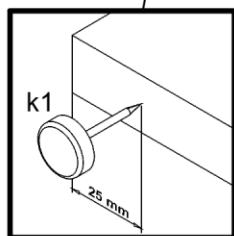
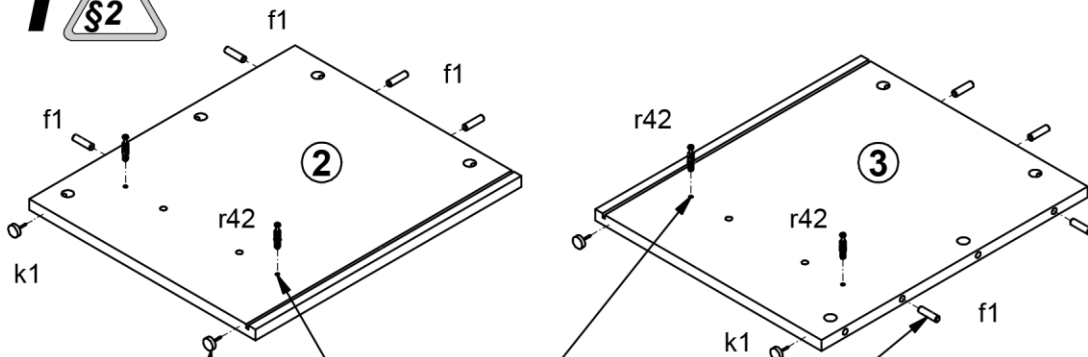
| A | B | C (mm) | | D |
|----|----------|--------|-----|-----|
| 1 | L30-011 | 374 | 174 | 1/1 |
| 2 | L30-111 | 448 | 381 | 1/1 |
| 3 | L30-112 | 448 | 381 | 1/1 |
| 4 | L30-113 | 155 | 365 | 1/1 |
| 5 | L30-114 | 155 | 365 | 1/1 |
| 6 | L30-203 | 600 | 420 | 1/1 |
| 7 | L30-308 | 508 | 381 | 1/1 |
| 8 | L30-578 | 448 | 80 | 1/1 |
| 9 | L30-579 | 448 | 80 | 1/1 |
| 10 | L30-909 | 355 | 355 | 1/1 |
| 11 | L30-910 | 348 | 518 | 1/1 |
| 12 | ZS3-5595 | 333 | 120 | 1/1 |
| 13 | ZS4-501 | 350 | 120 | 1/1 |
| 14 | ZS4-502 | 350 | 120 | 1/1 |



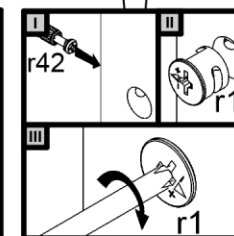
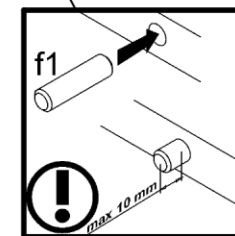
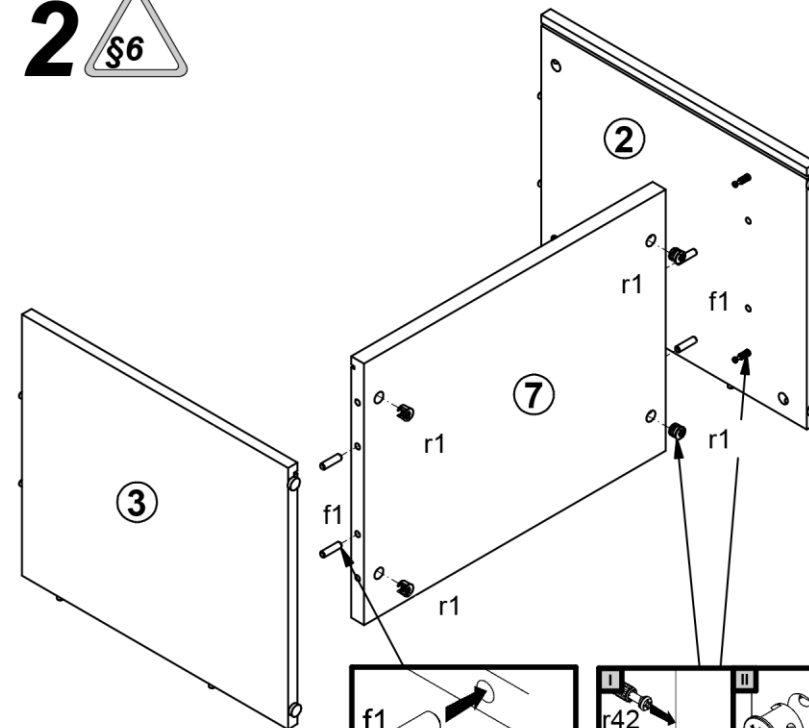
45 min



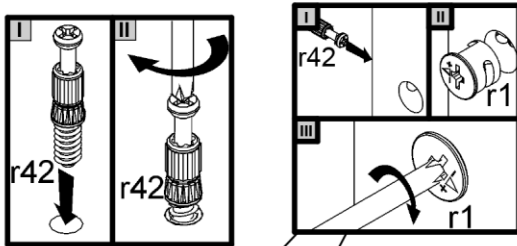
1 §2



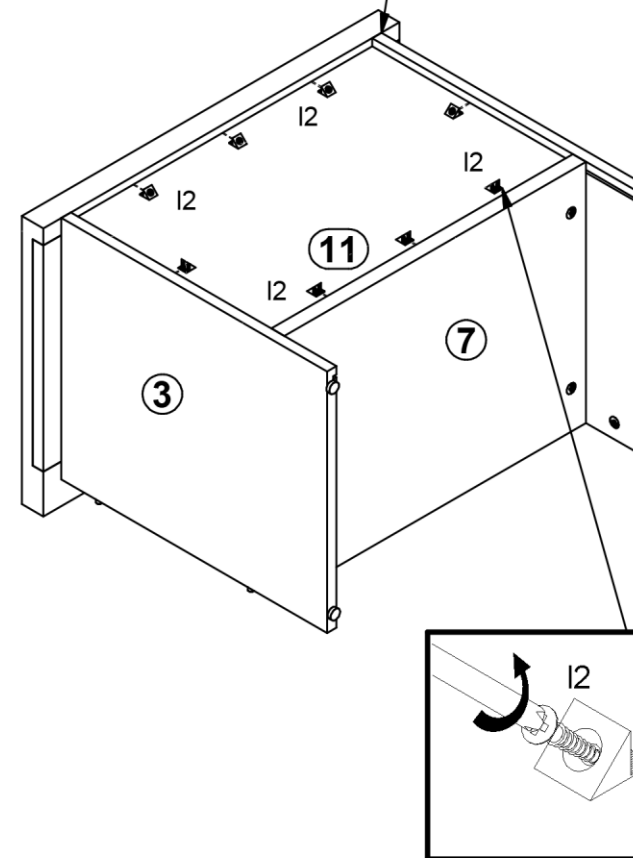
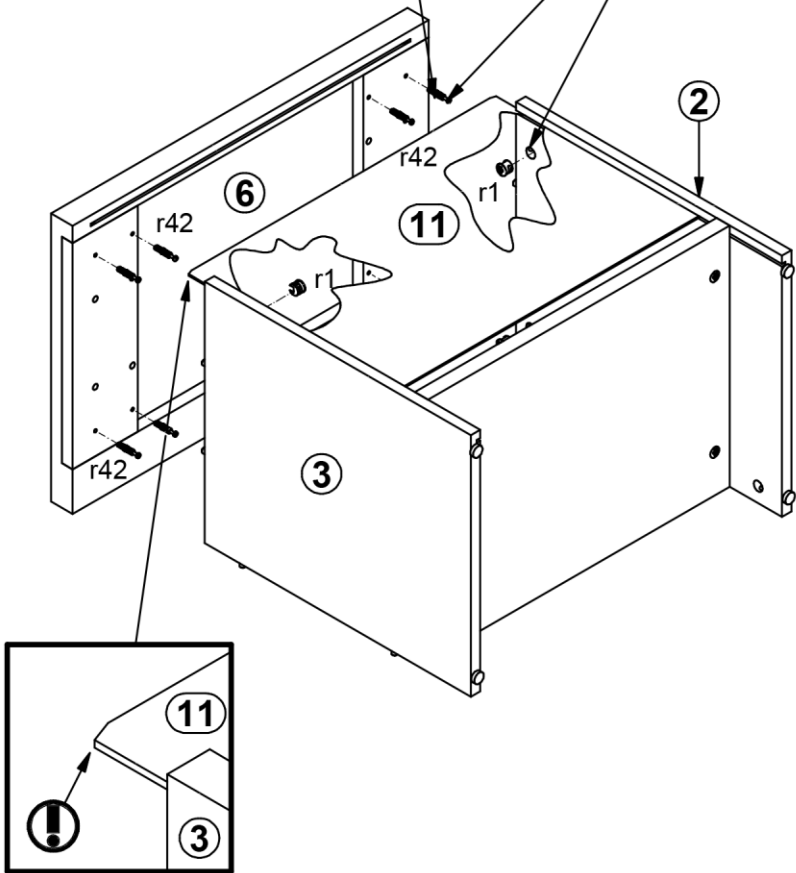
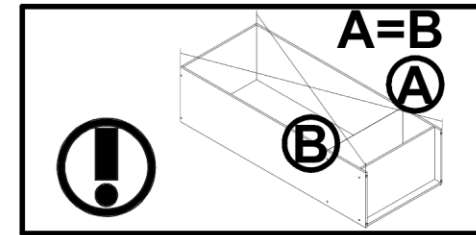
2 §6



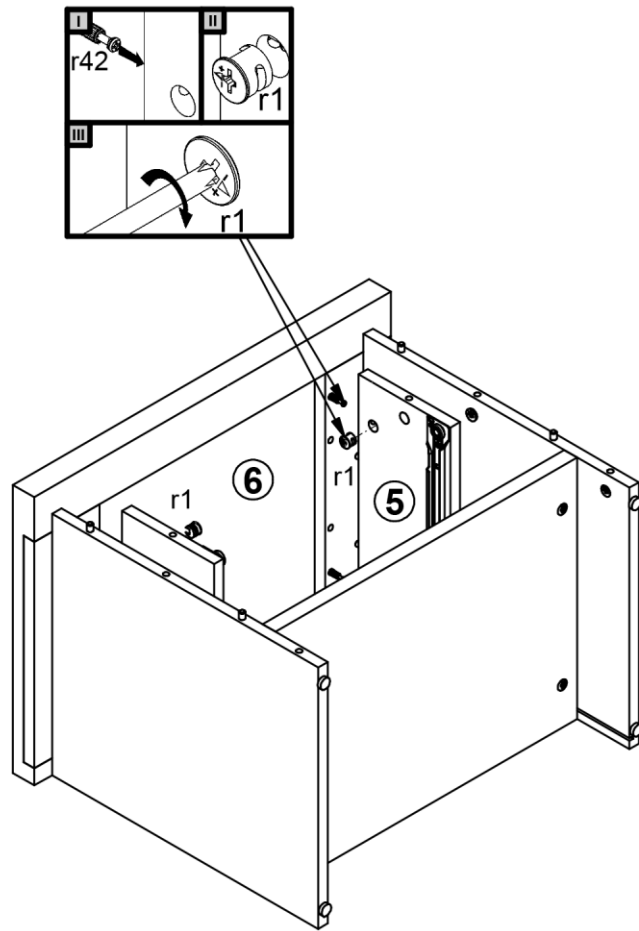
3



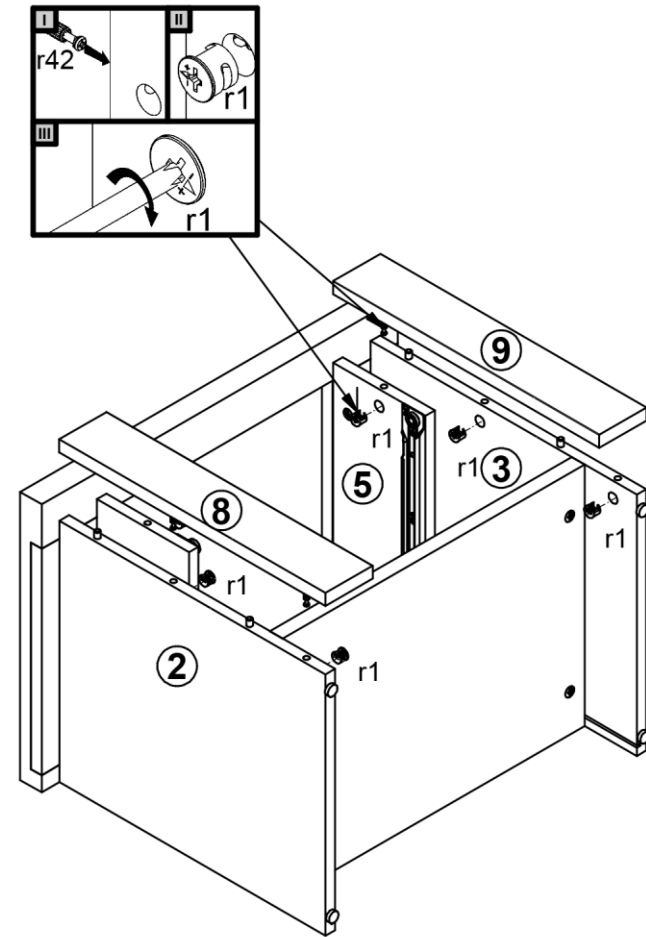
4



5

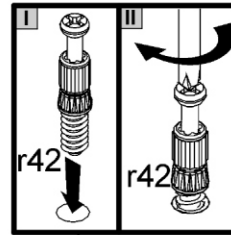
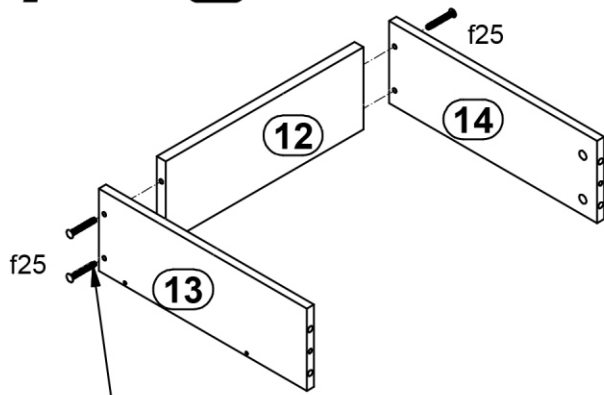


6

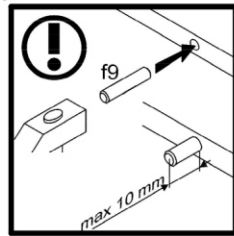
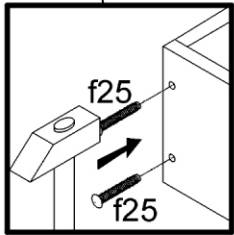
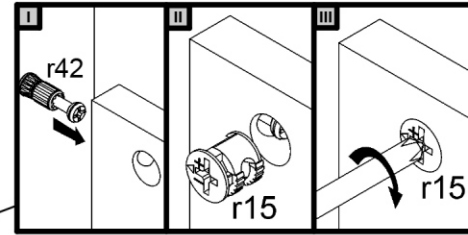
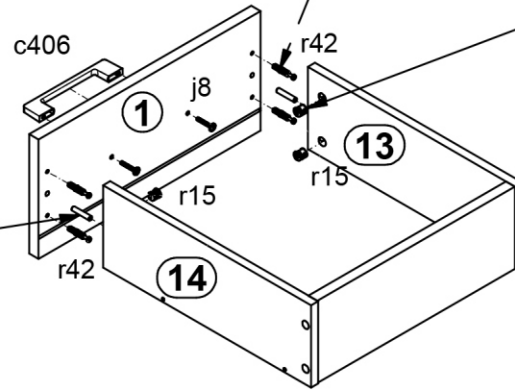


7

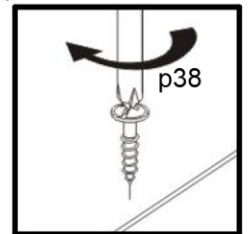
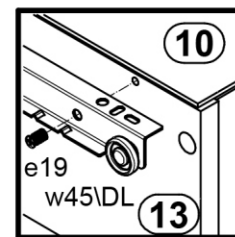
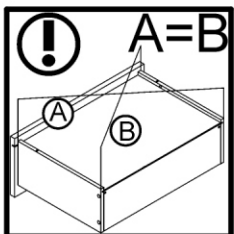
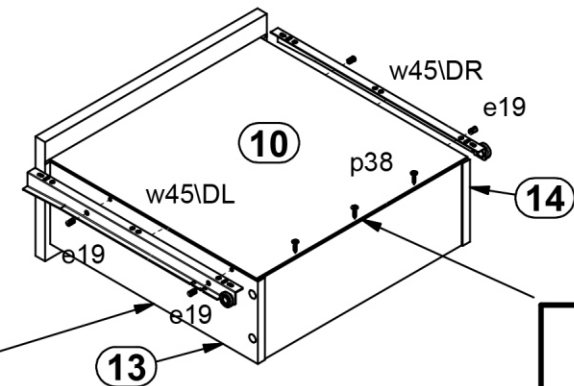
I



II



III



8

