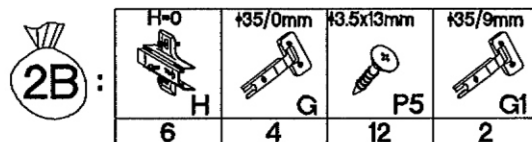
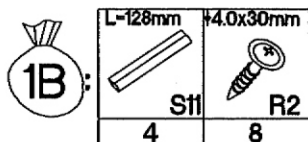
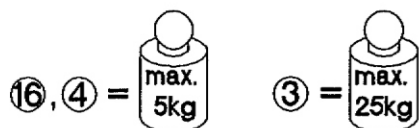
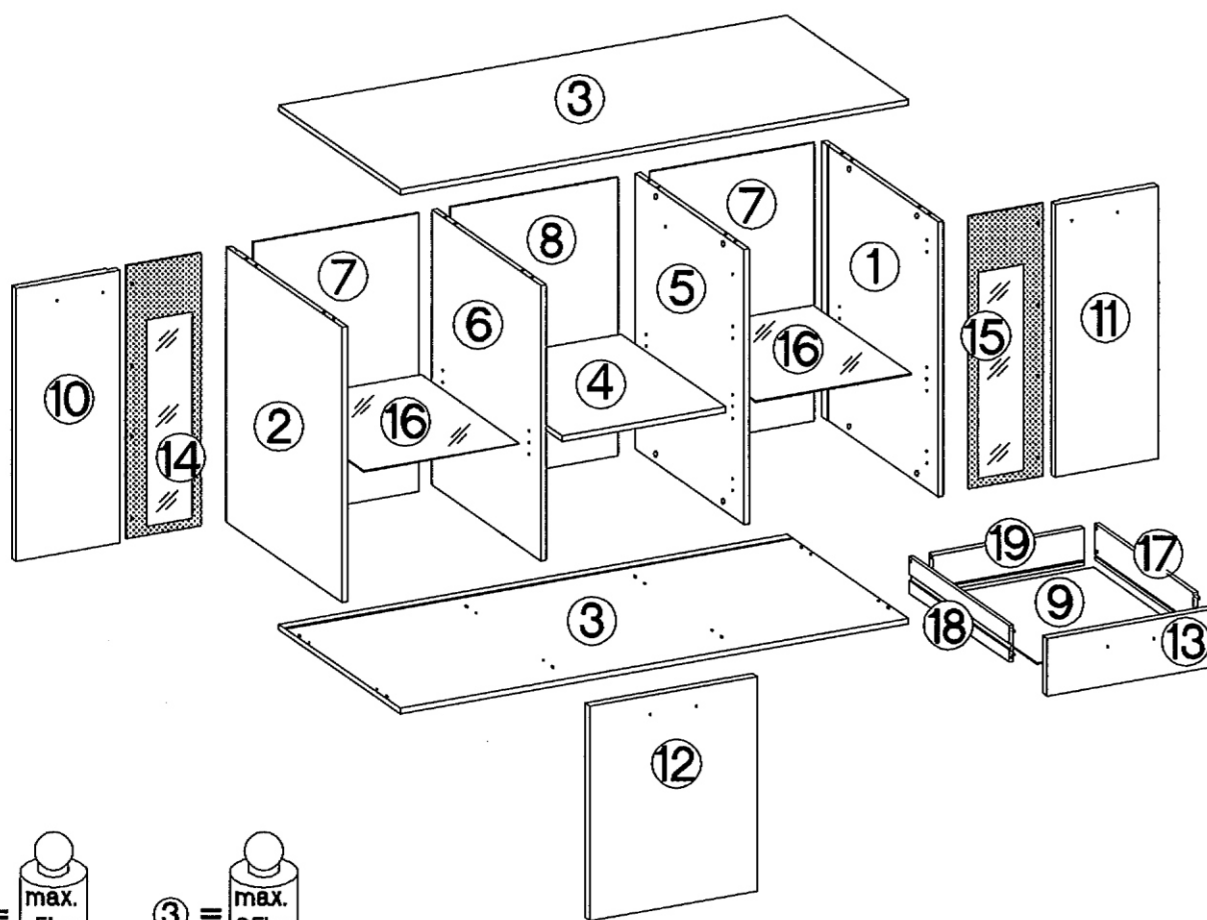
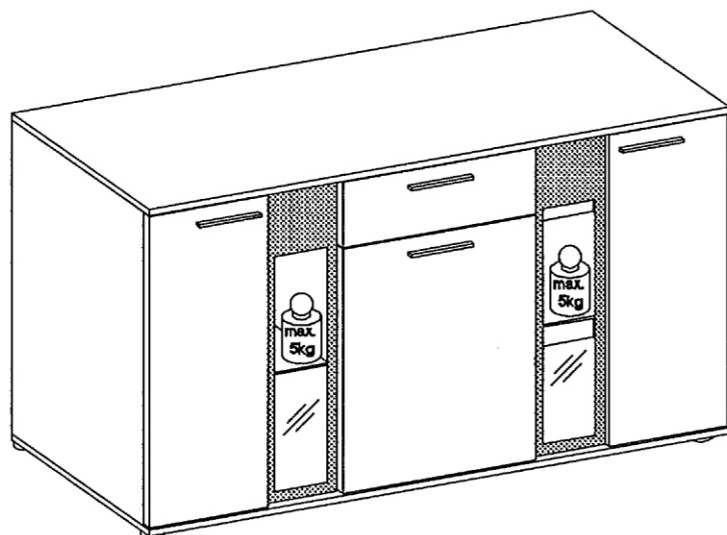
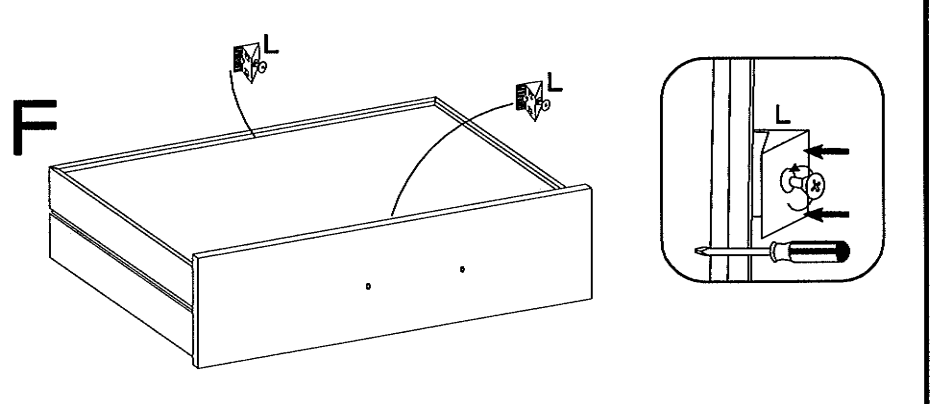
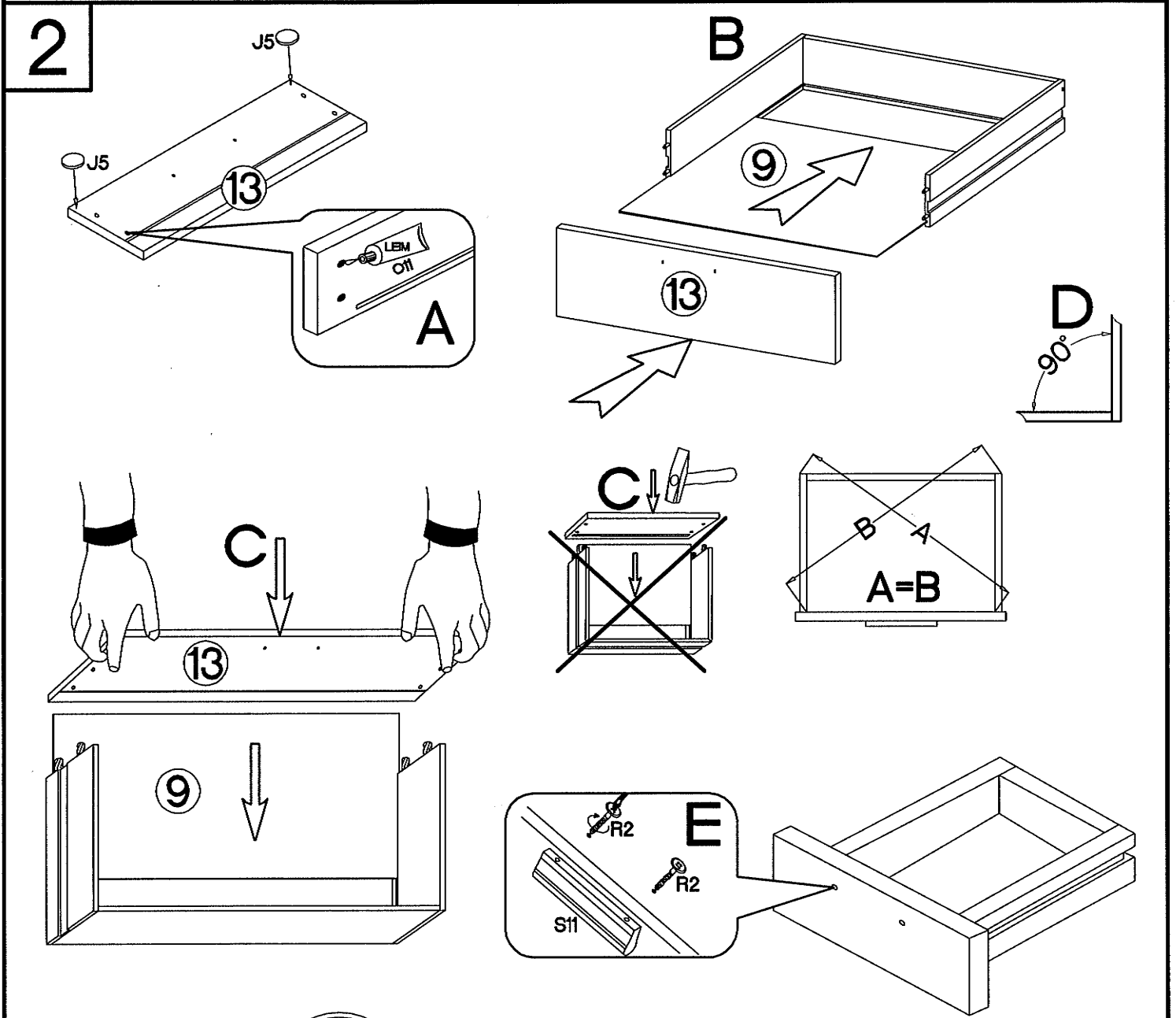
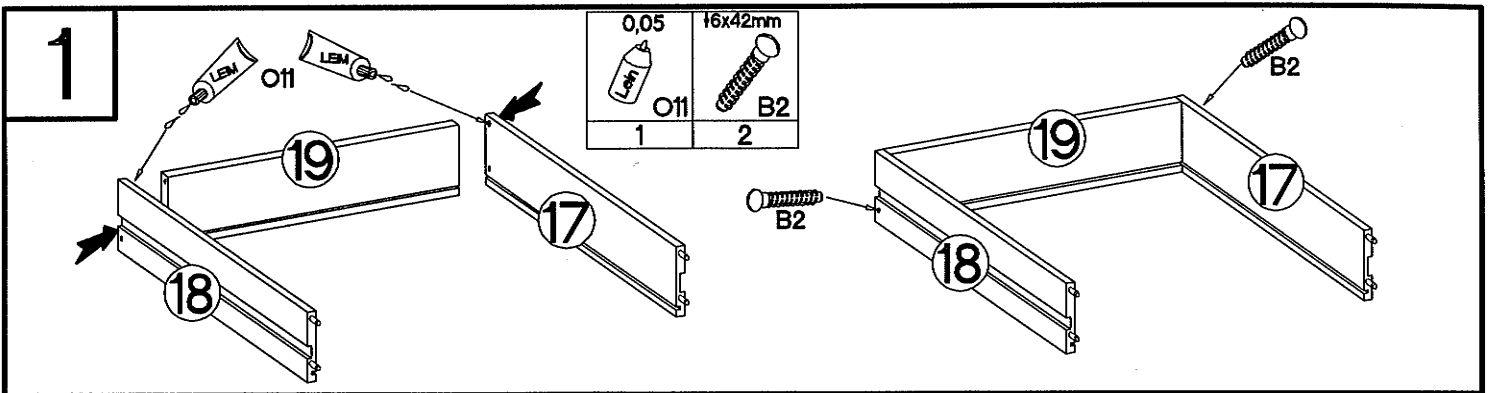


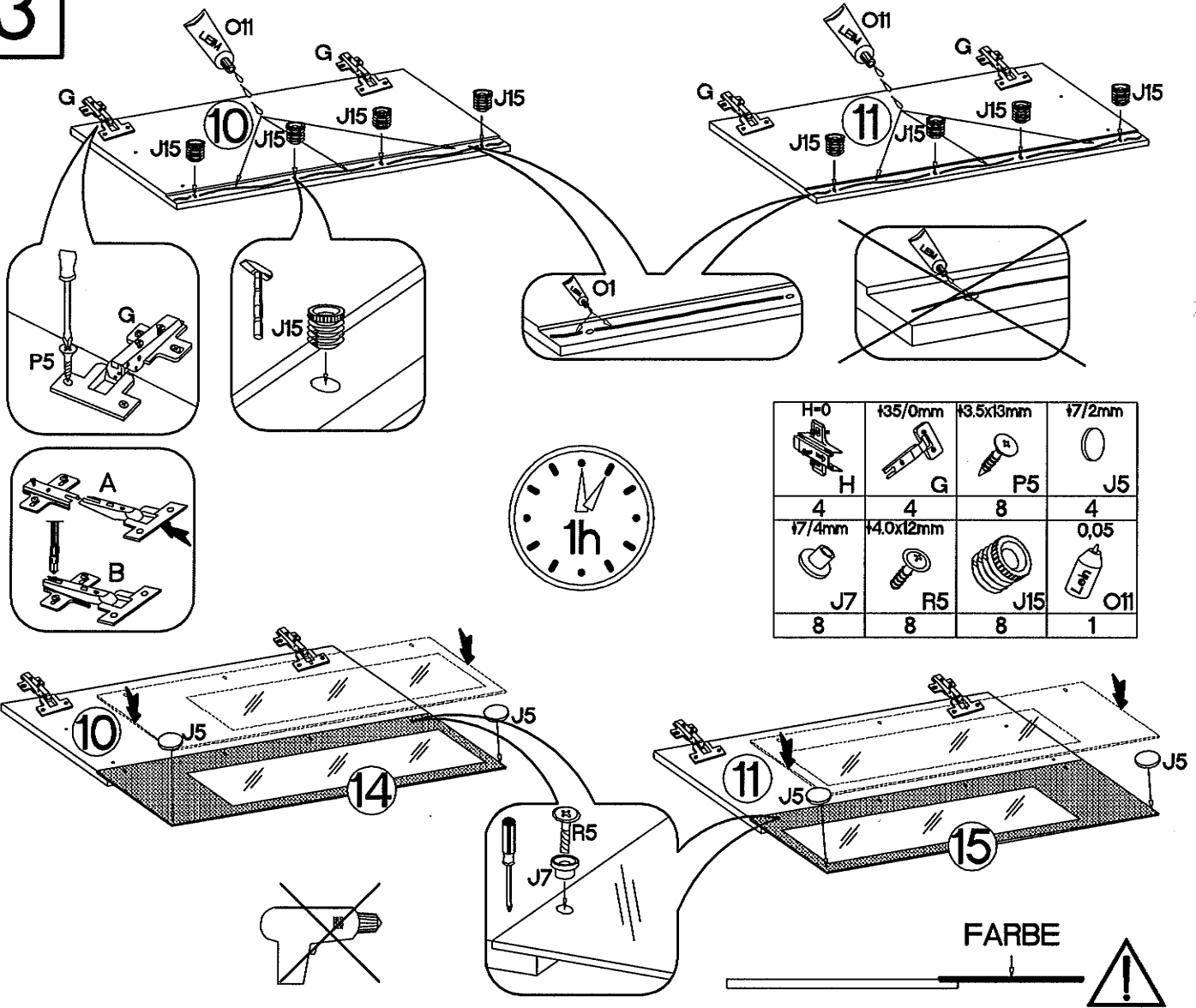
SALESA



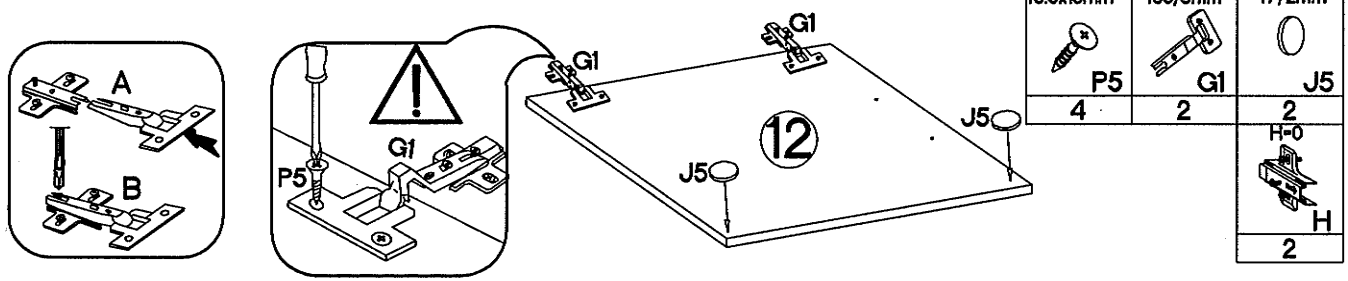
3B	C	A	J7	R5	J3	J12	O7	L2	J15	J5	B2	D2
	16	16	8	8	4	8	2	10	8	8	2	16
	P14	F10	P5	L	E	M2	27/30mm	L9	U1	P7	O11	
	6	6	2	12	12	4	1	2	2	10	1	



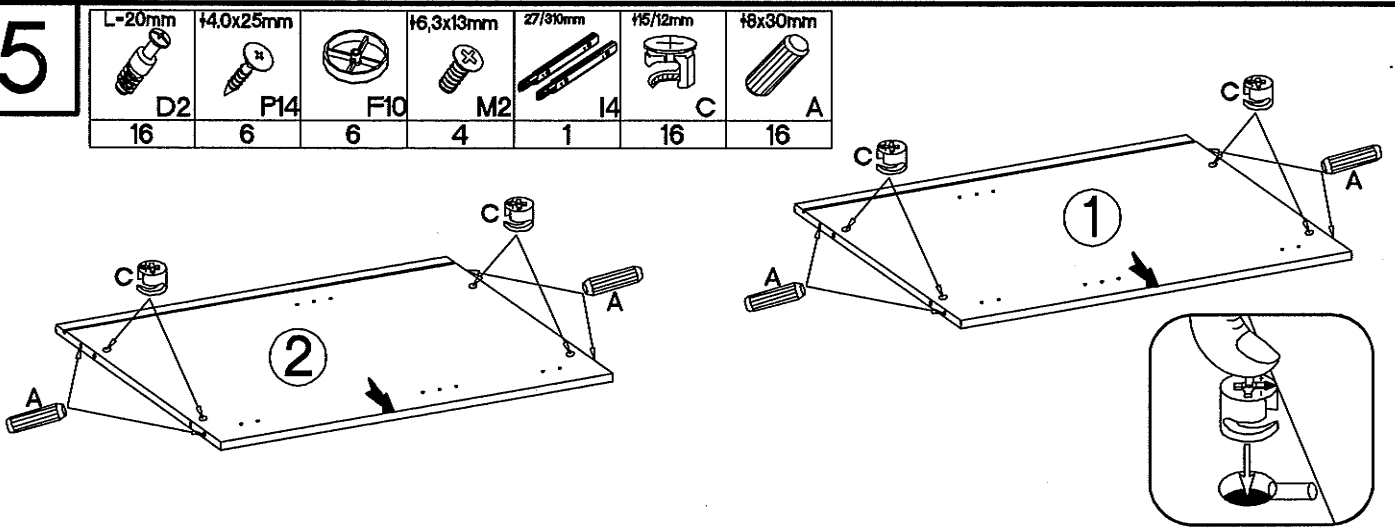
3

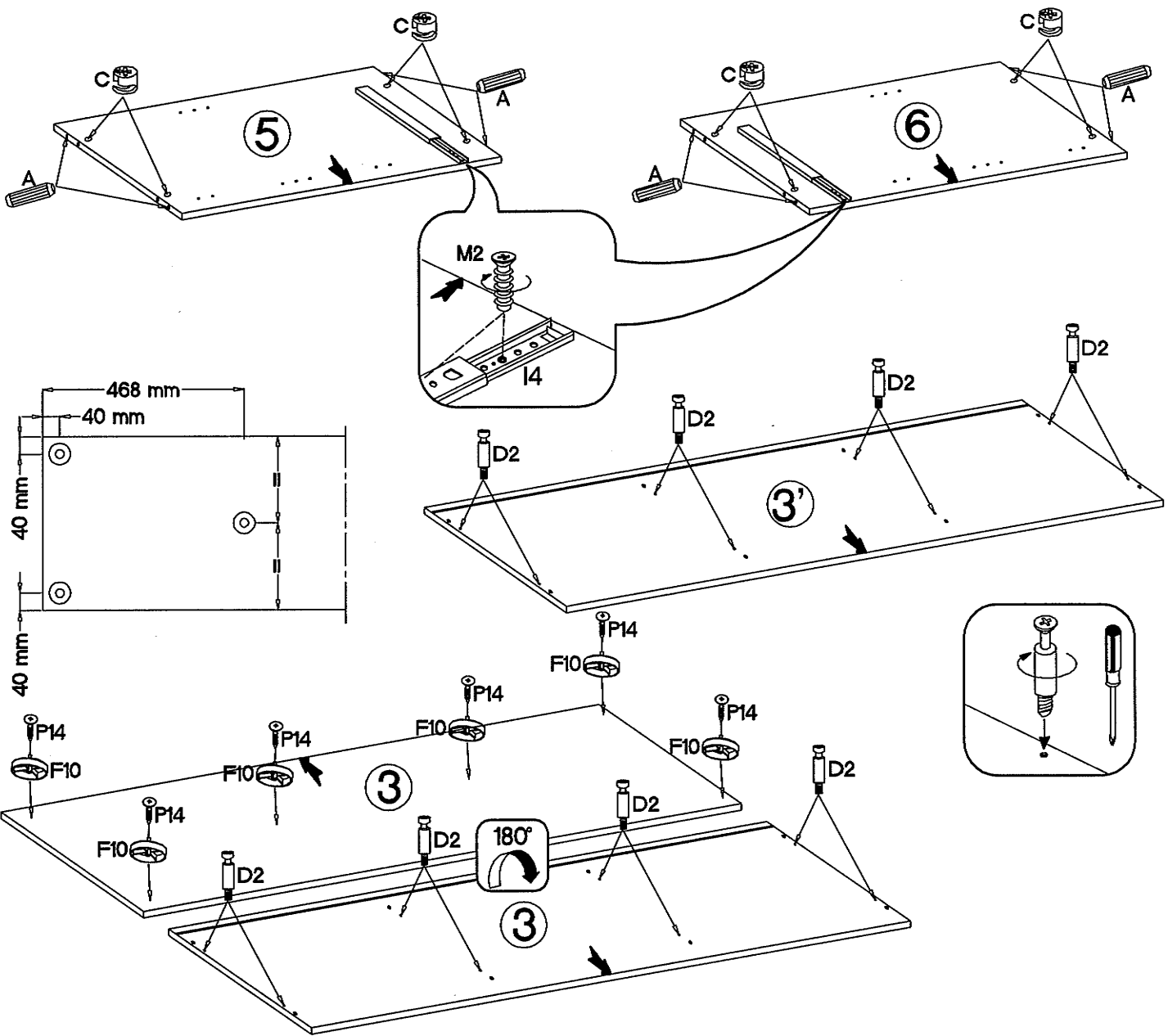


4

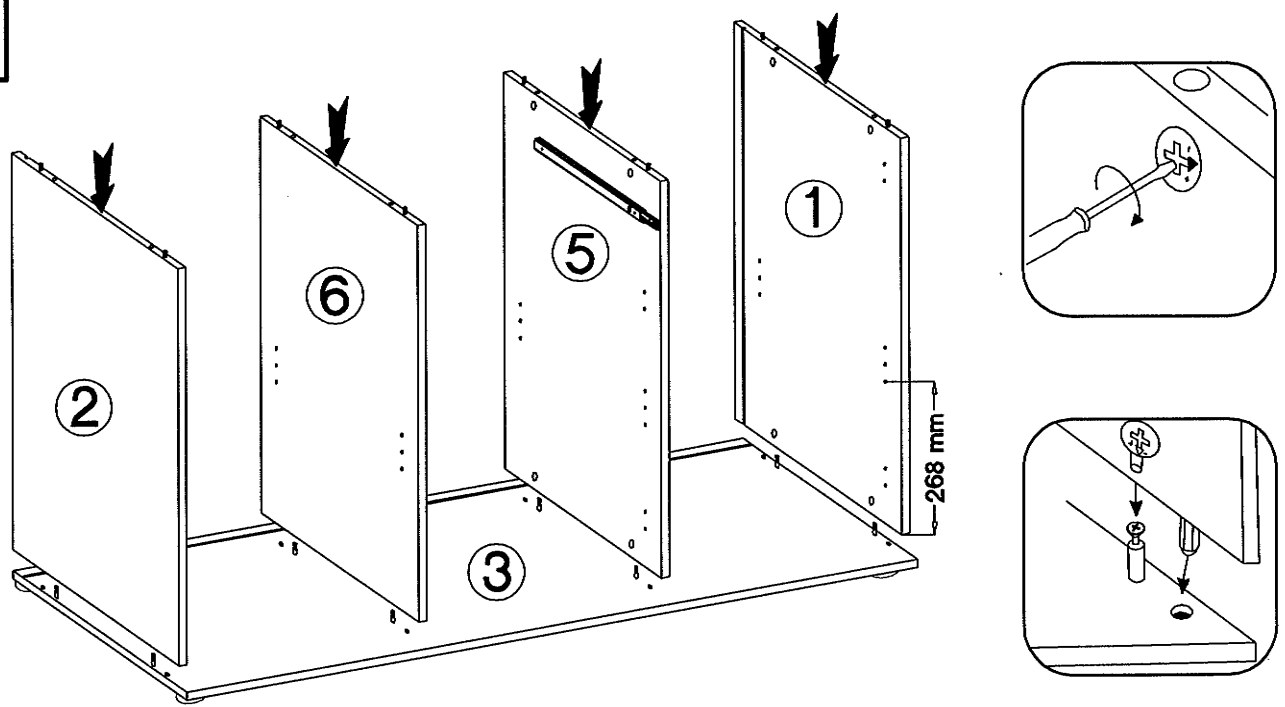


5

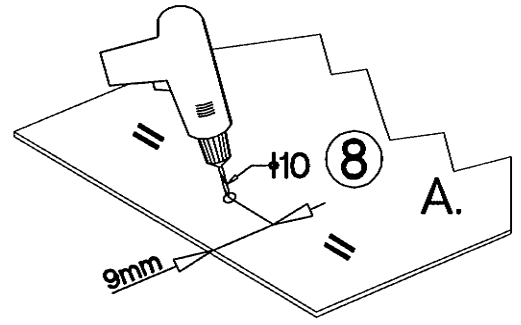
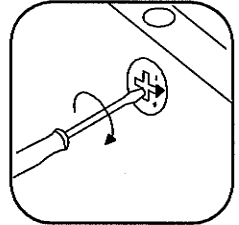
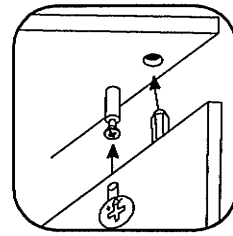
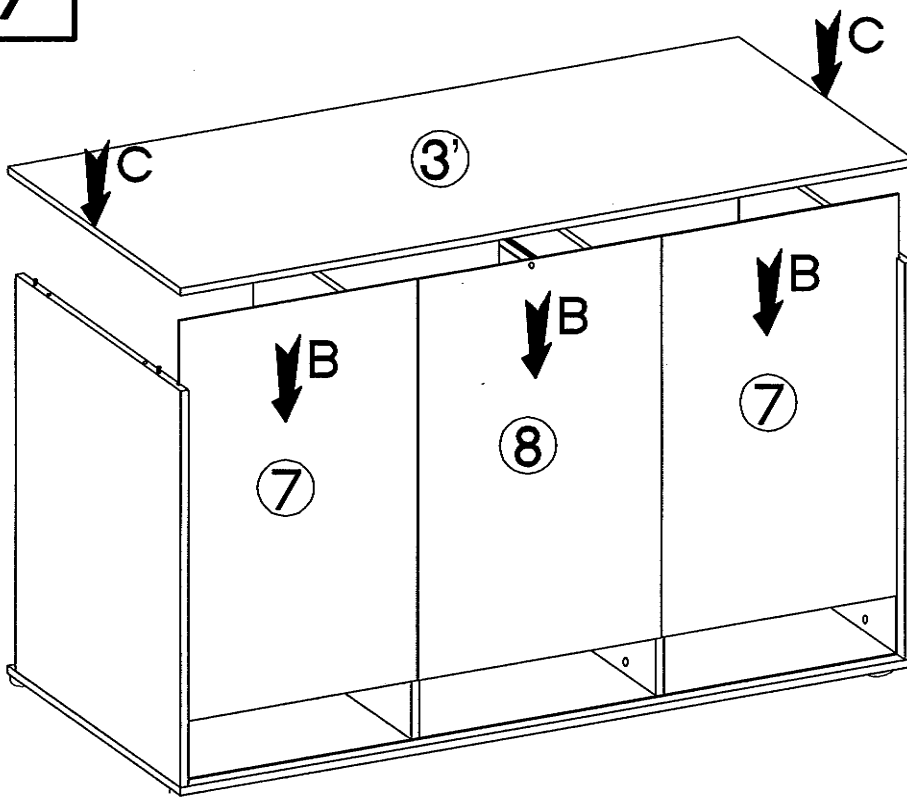




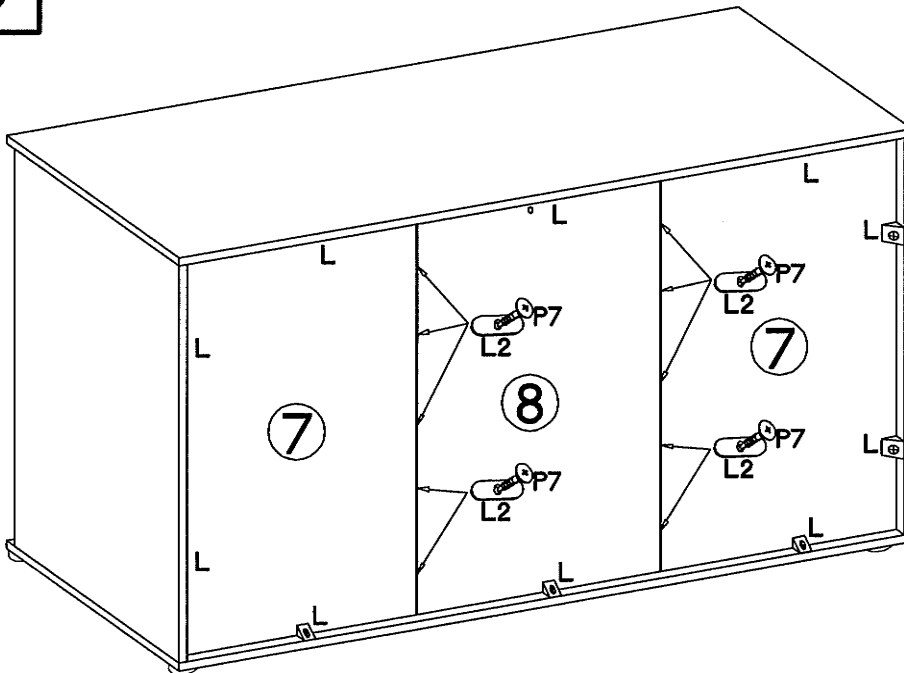
6



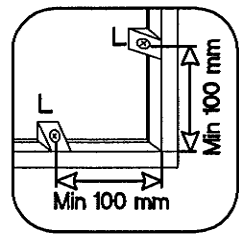
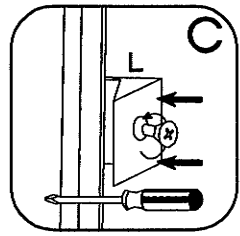
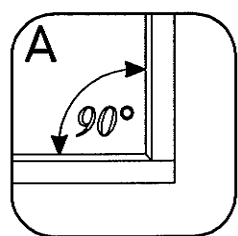
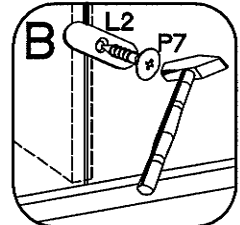
7



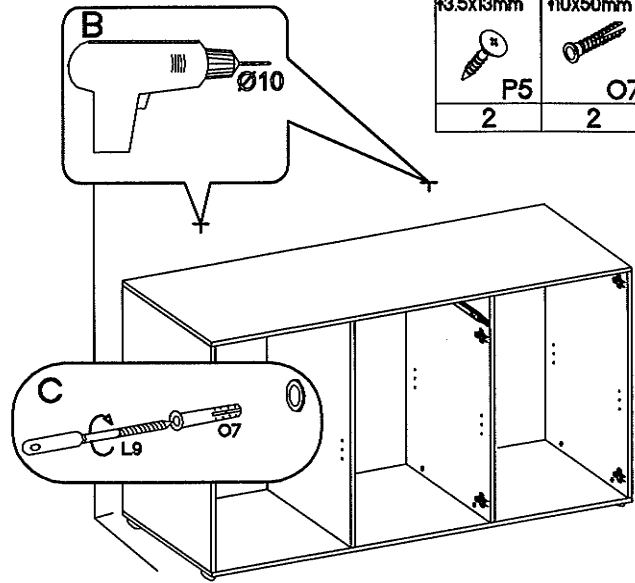
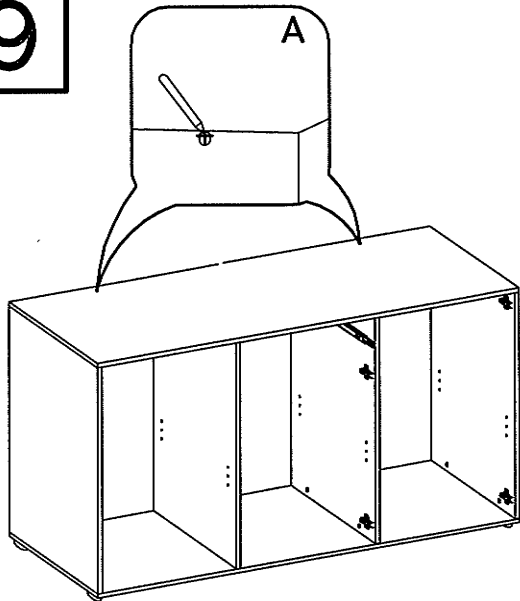
8



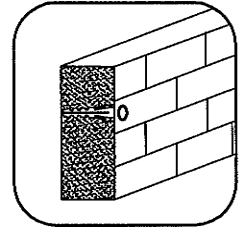
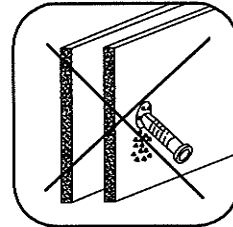
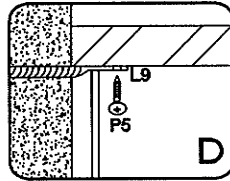
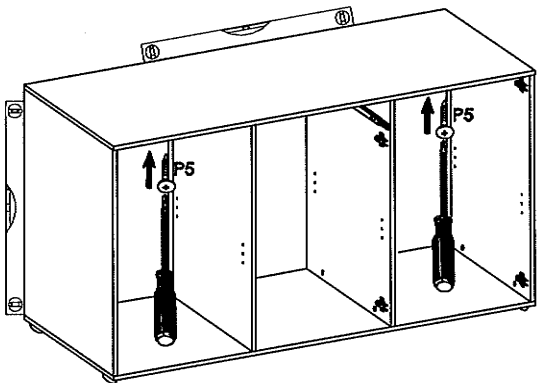
$\varnothing 3.0 \times 20 \text{mm}$			
	L2	P7	L
	10	10	10



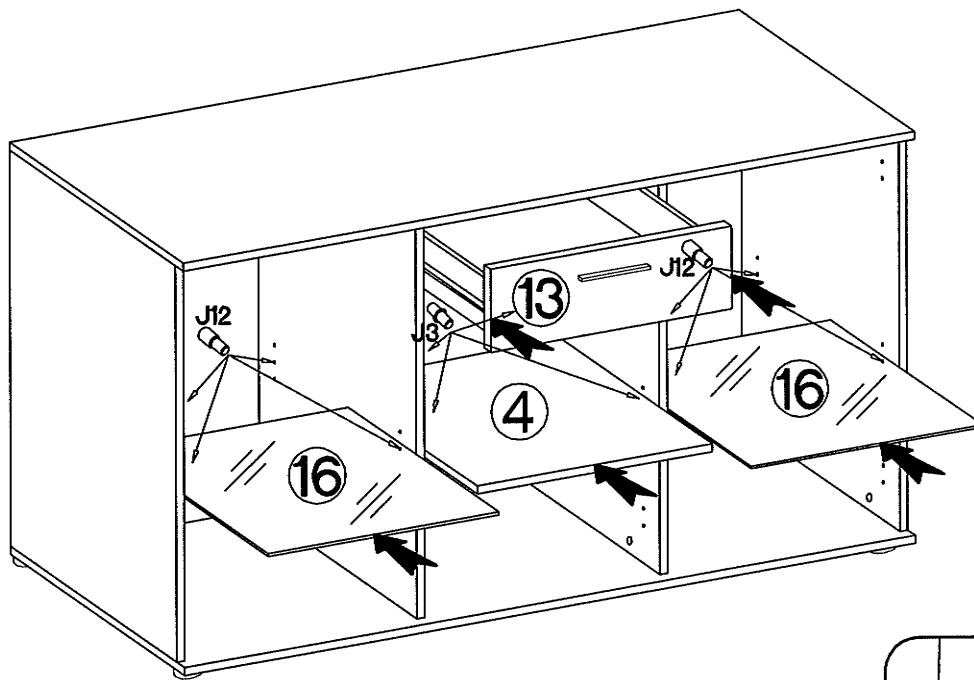
9



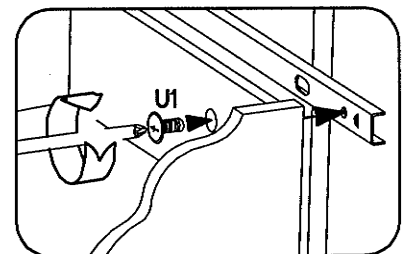
Ø3.5x13mm	Ø10x50mm	
P5	O7	L9
2	2	2






10



		M4x9mm
J3	J12	U1
4	8	2



11

L=128mm 	H4.0x30mm 	
S11 3	R2 6	E 12

