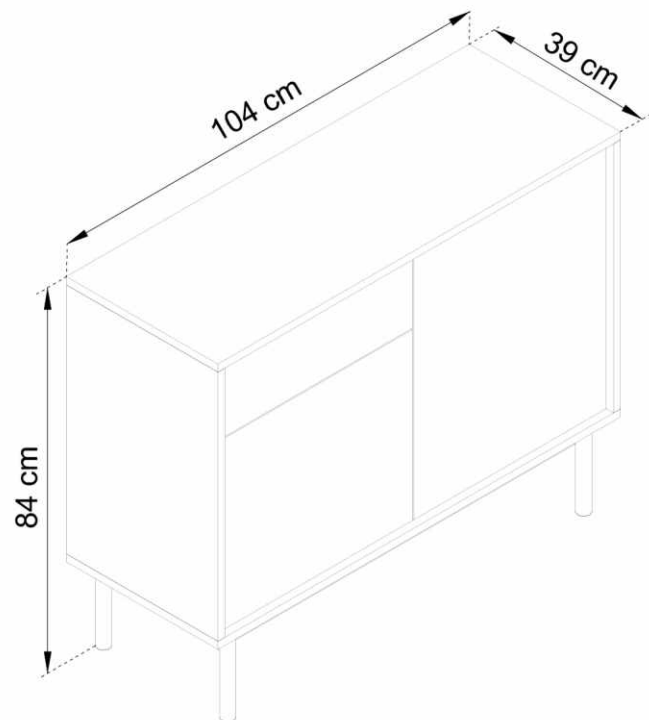
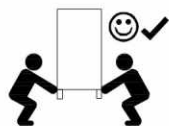
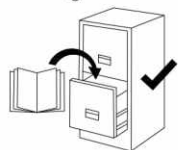
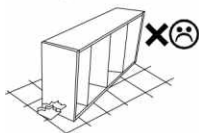
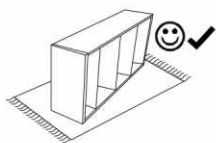
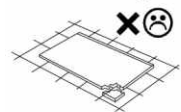
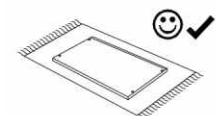
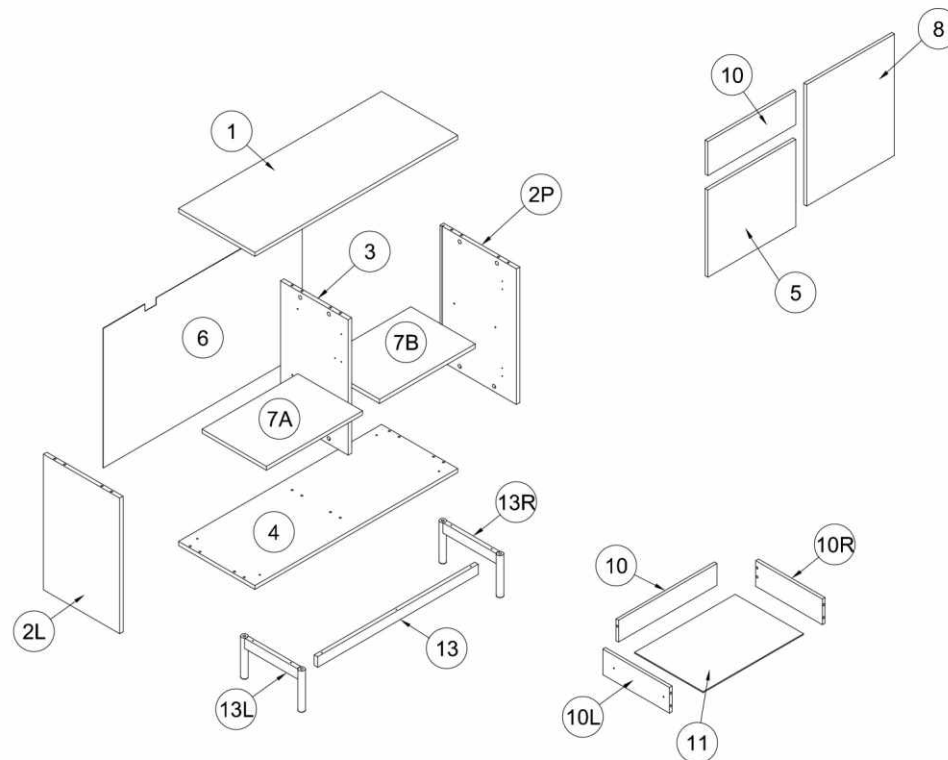


BERGEN

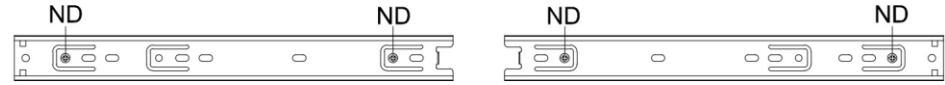
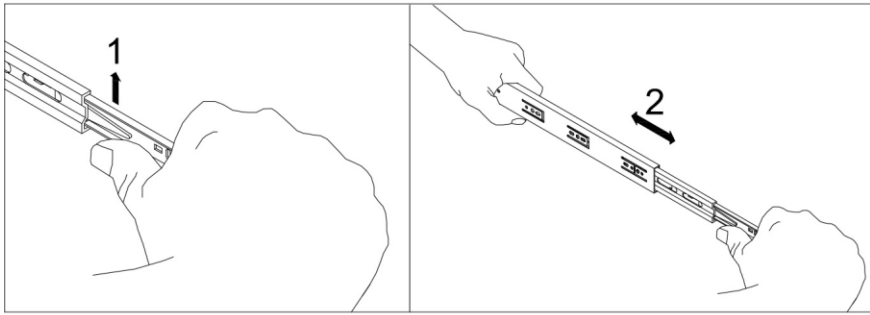
BK 104



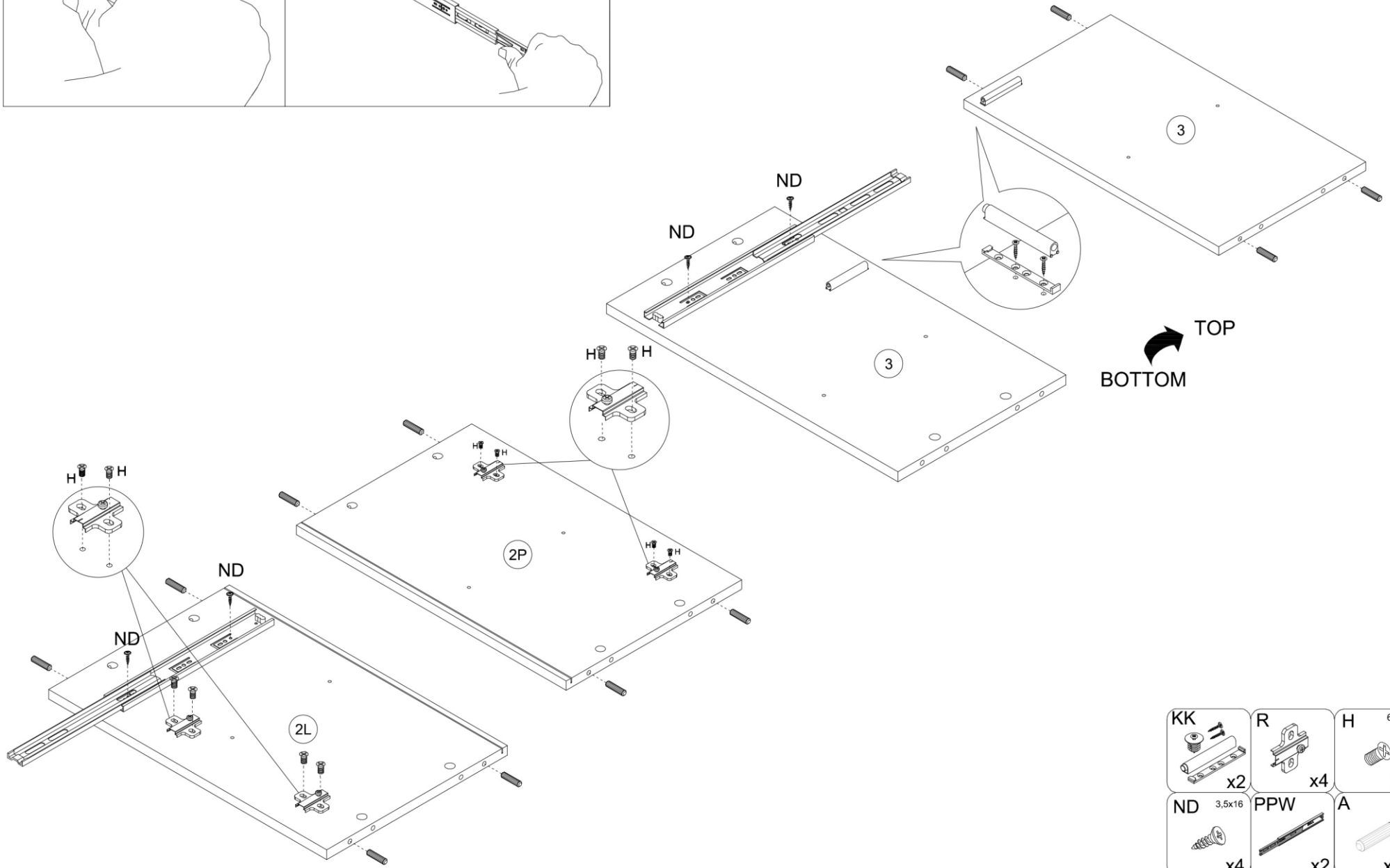
50 min.



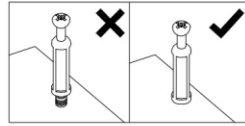
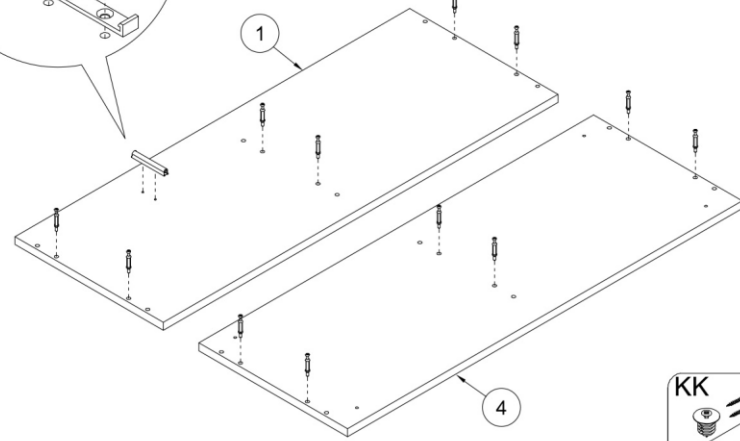
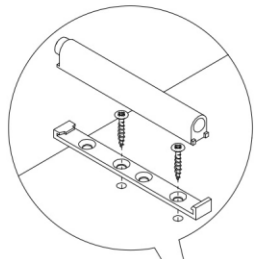
| | | | | | | | | |
|-----|--------|---------|----------|-----|-----|-----------|--------|--------|
| PB | N 3x20 | HD 6x30 | GLUE | TB | Z | TA | W 4x55 | X |
| x4 | x9 | x4 | x1 | x1 | x12 | x1 | x7 | x12 |
| B | A 8x32 | R | H 6,3x13 | C | PPW | ND 3,5x16 | KK | V 3x13 |
| x12 | x16 | x4 | x8 | x12 | x2 | x13 | x3 | x6 |



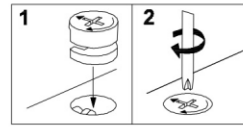
1



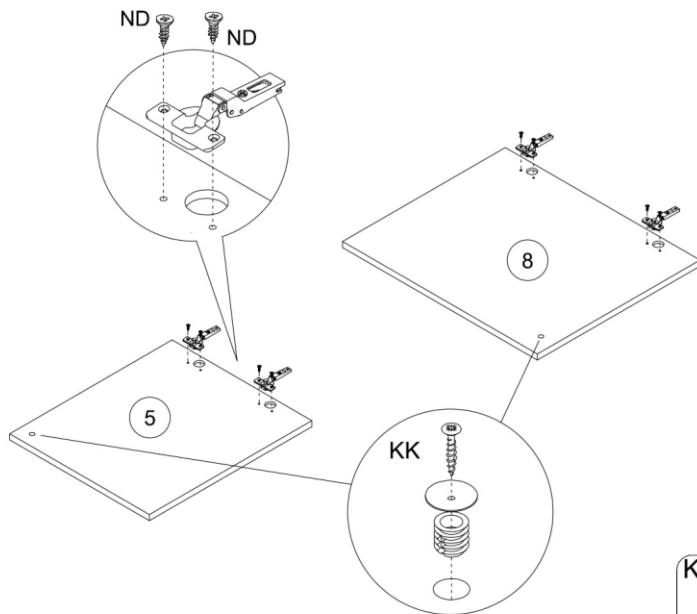
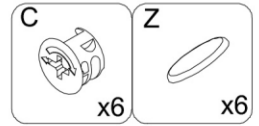
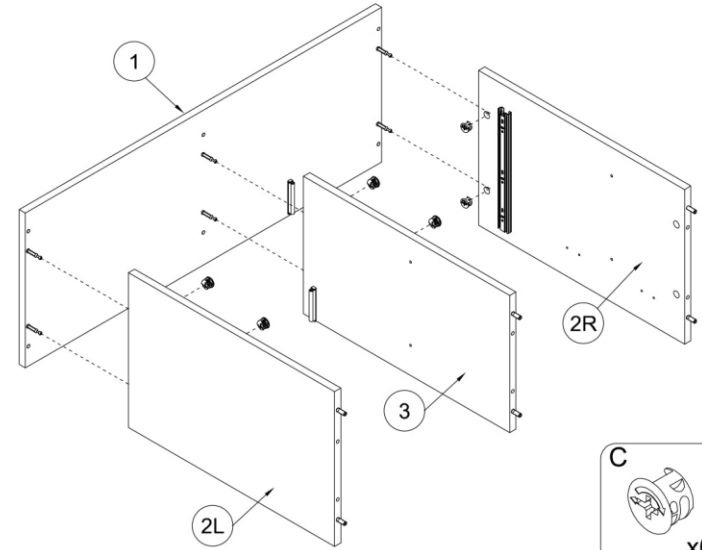
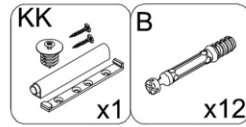
| | | |
|---------------------|---------------|--------------------|
| KK x2 | R x4 | H 6,3x13 x8 |
| ND 3,5x16 x4 | PPW x2 | A x12 |



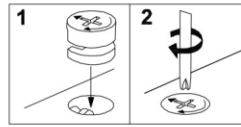
2



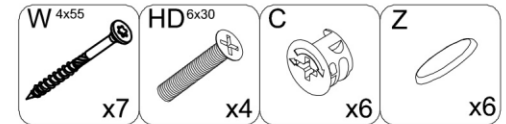
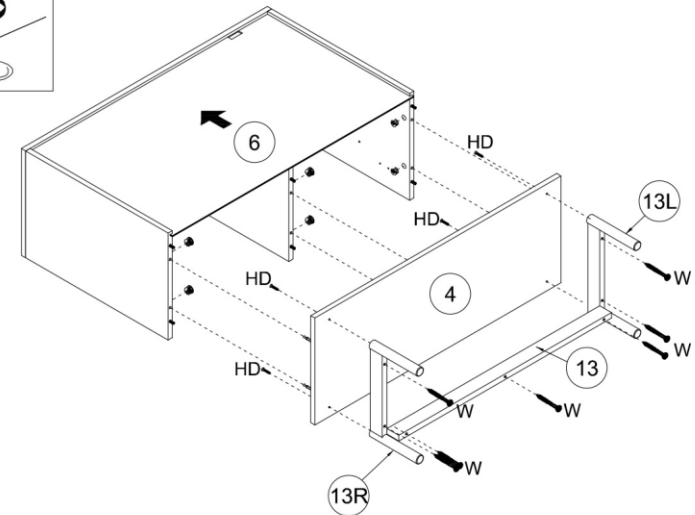
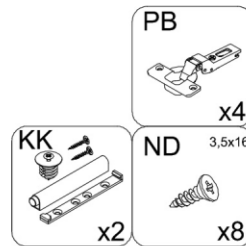
4

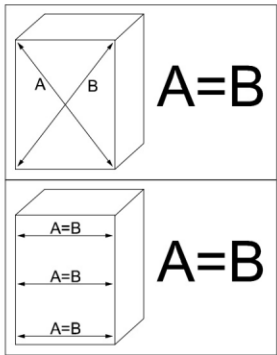


3

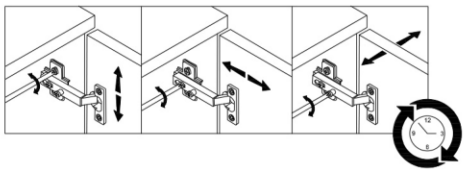
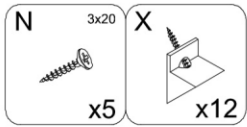
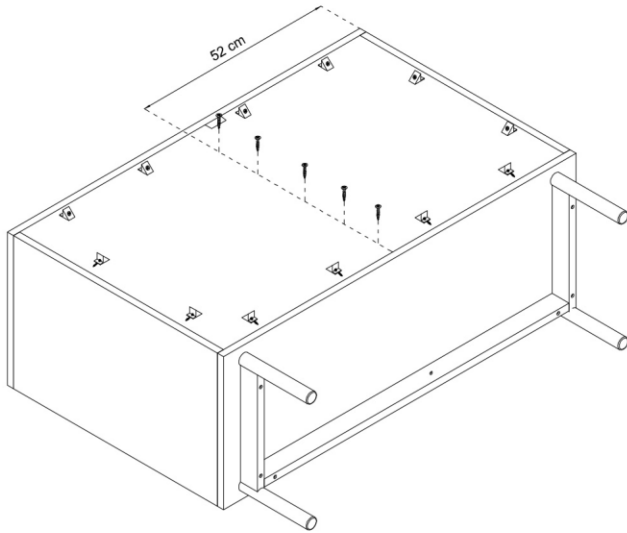


5

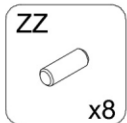
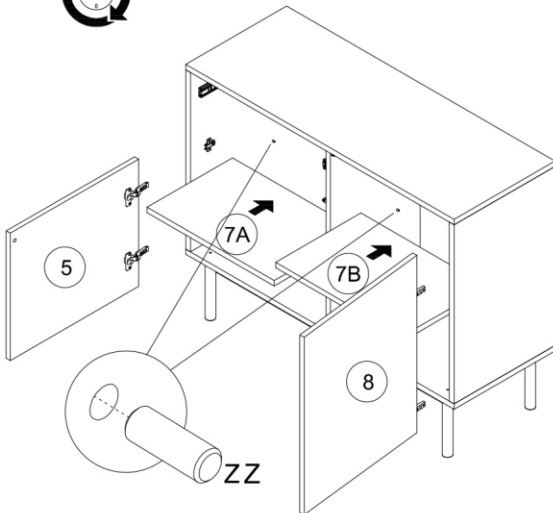




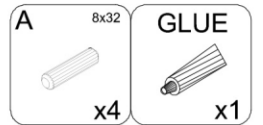
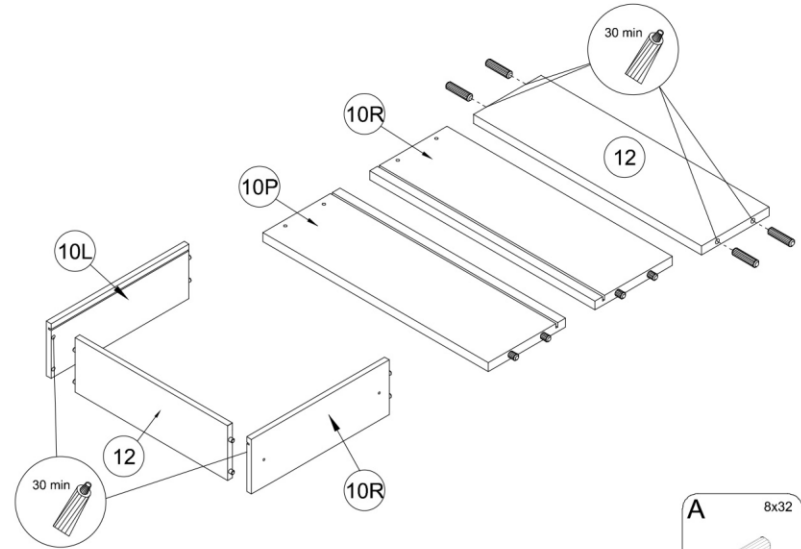
6



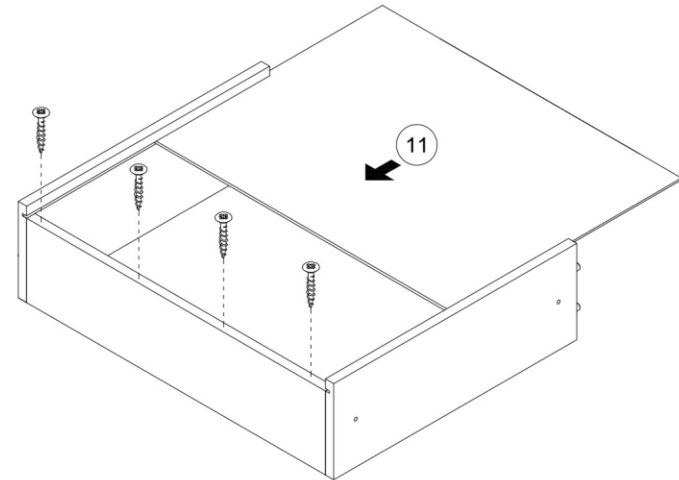
7



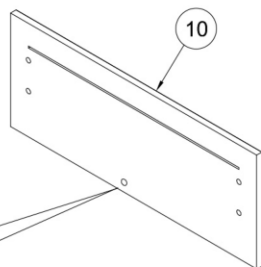
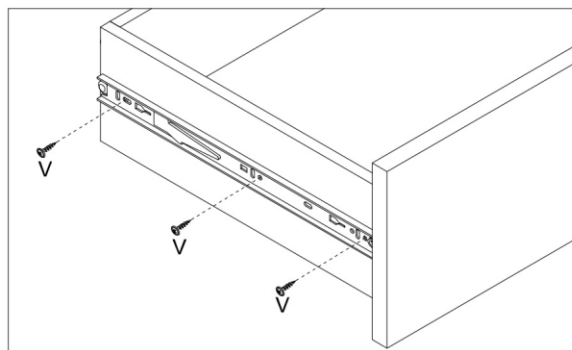
8



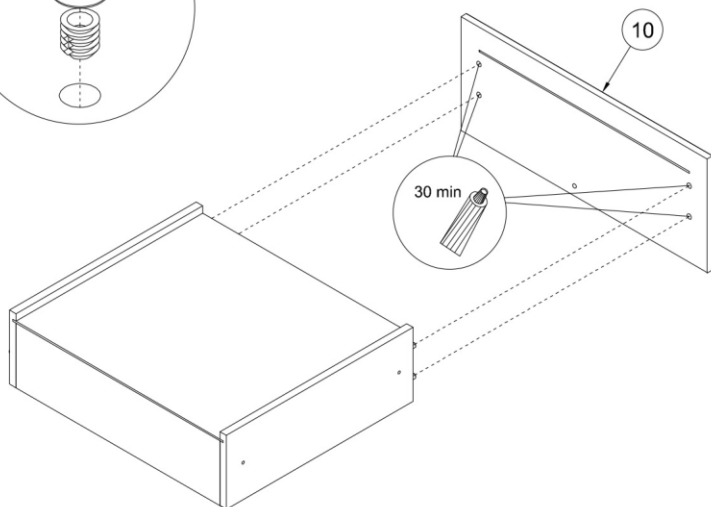
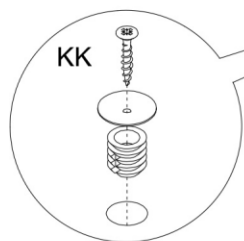
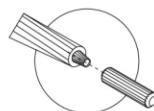
9



10



30 min



30 min



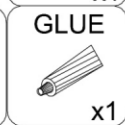
x2



x6

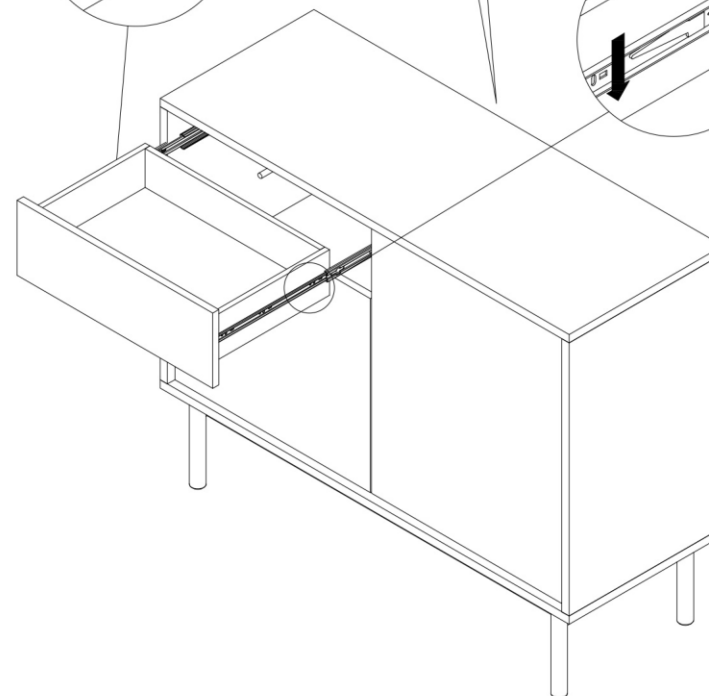
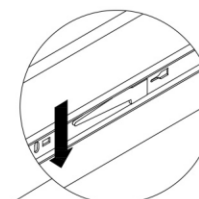
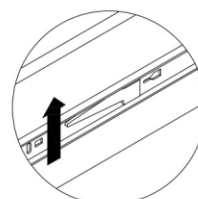
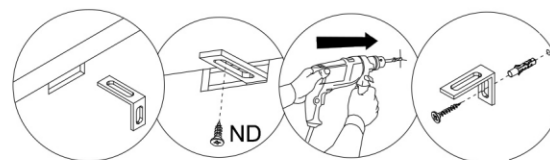


x1

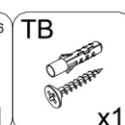


x1

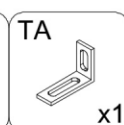
11



x1



x1



x1