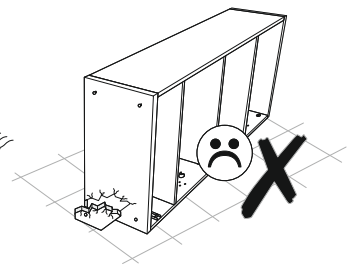
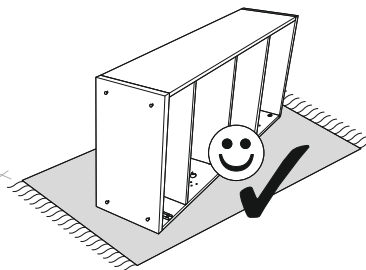
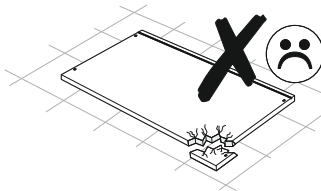
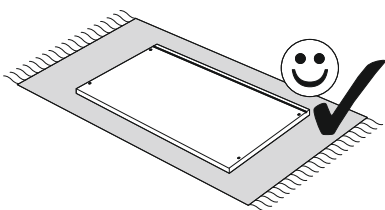
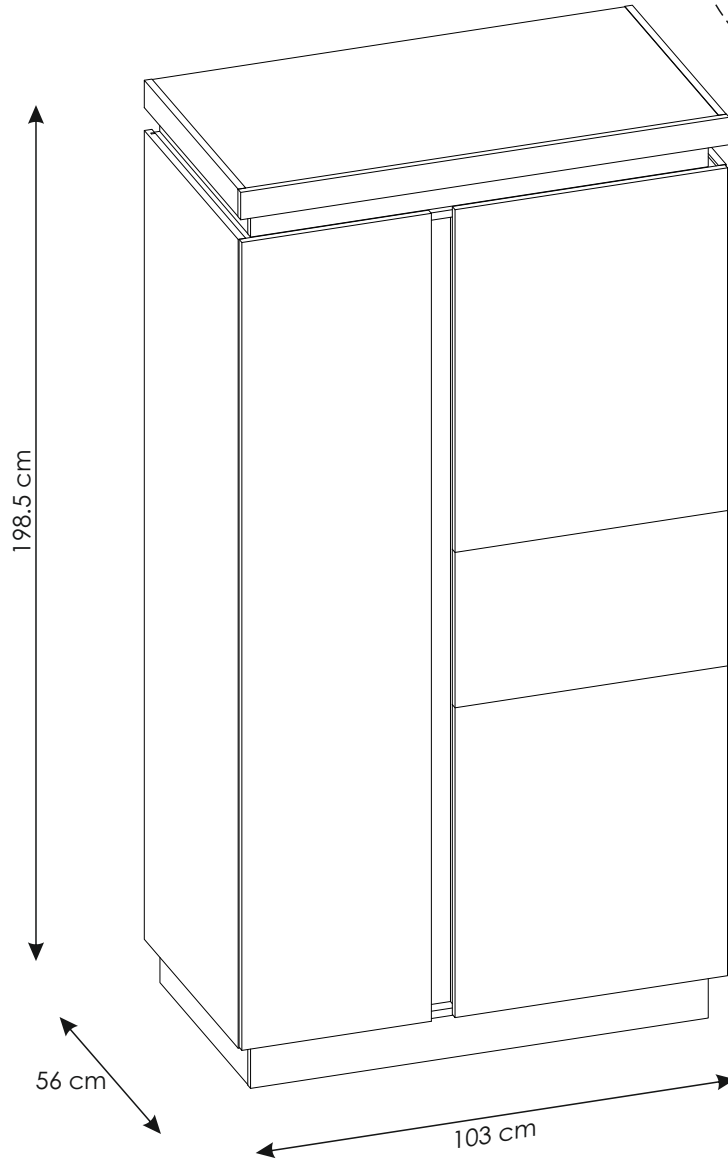
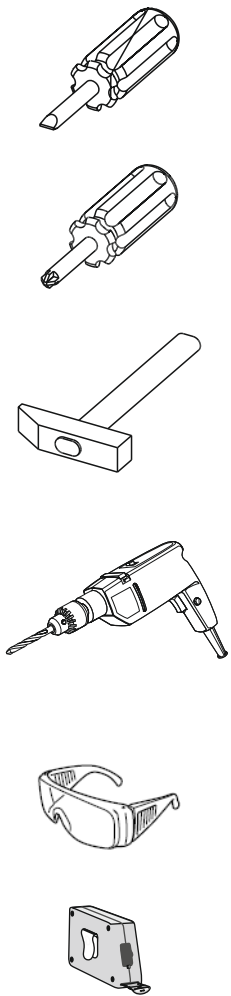
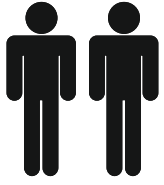
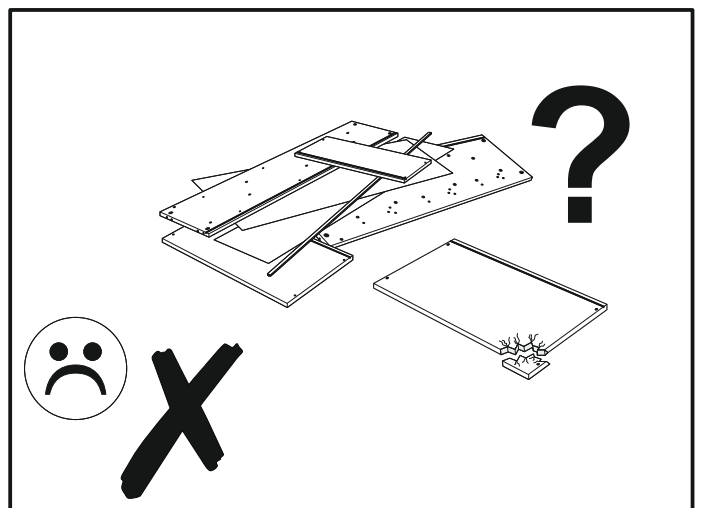
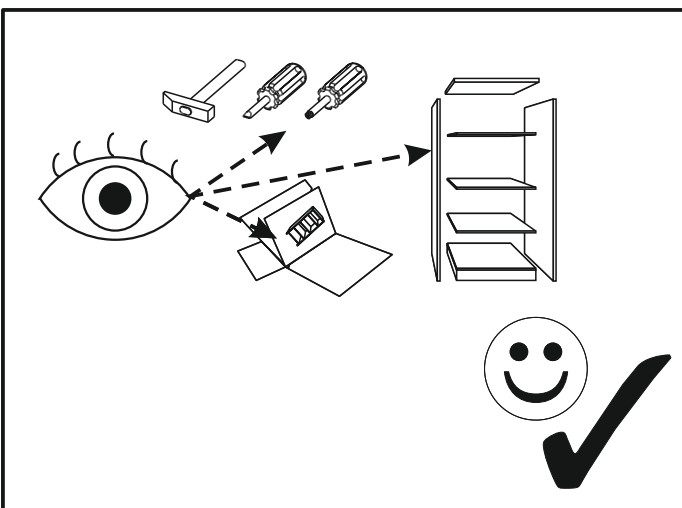
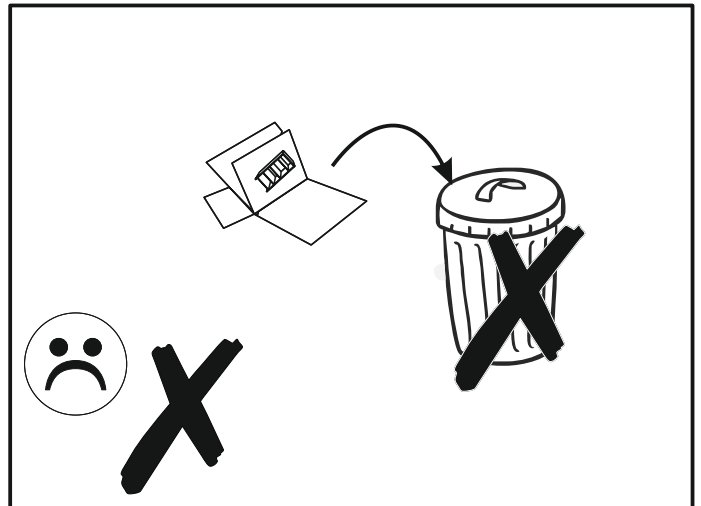
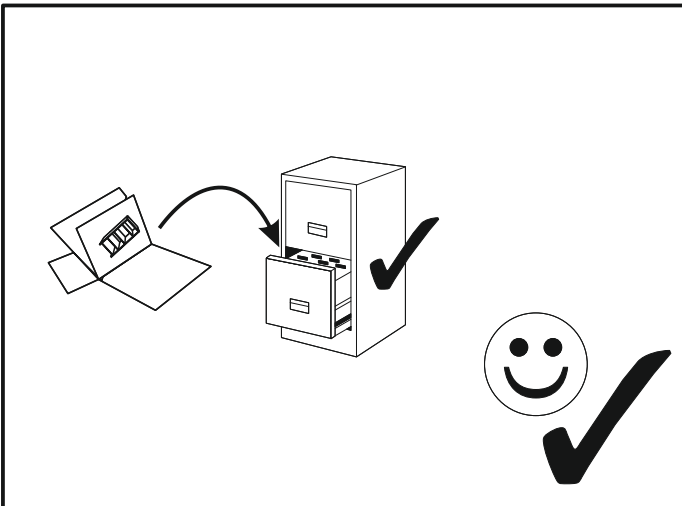
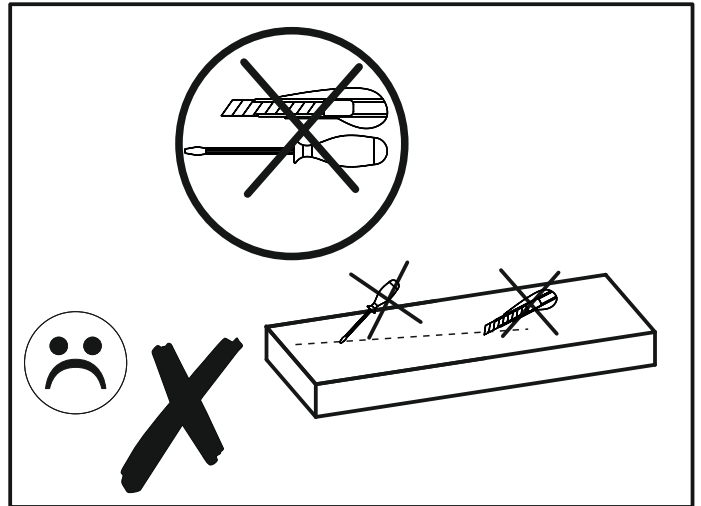
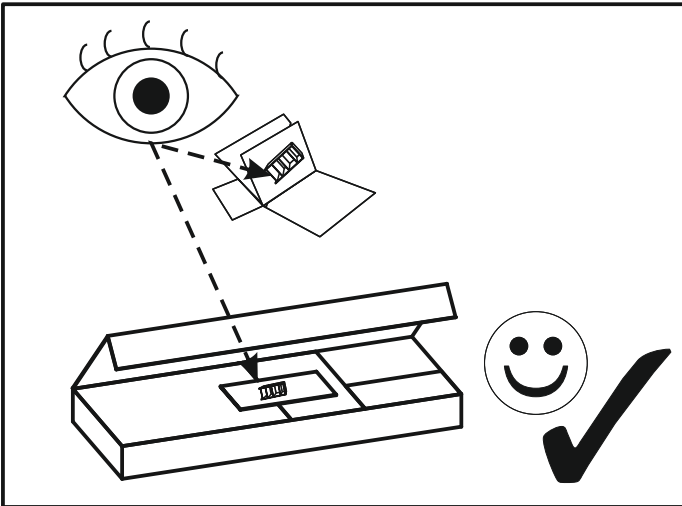
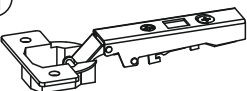
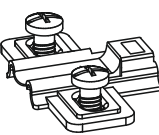


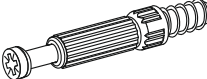
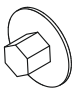


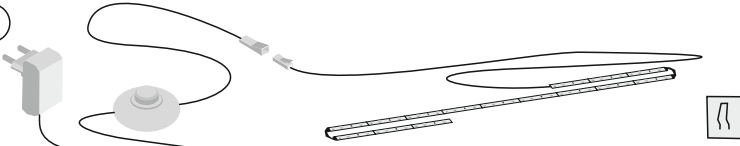
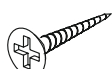
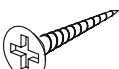

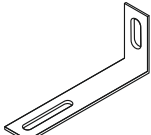
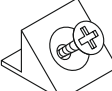
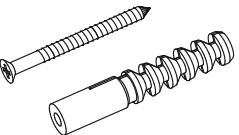
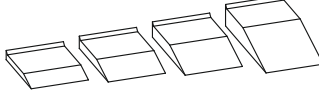


LEONARDO LYOS01





| | | | | | | | | |
|-----------|------------|-----|-------------|---|-----|-------------|---|-----|
| A1 | 8 x 35 mm | x58 | BC11 |  | x6 | BC12 |  | x6 |
| C1 | 4 x 13 mm | x12 | D2 |  | x16 | E0 |  | x31 |
| E1 | 15 x 12 mm | x41 | F1 |  | x41 | G0 |  | x4 |
| G1 | 7 x 50 mm | x4 | H2 |  | x1 | I2 |  | x2 |
| J2 | 4 x 30 mm | x10 | L |  | x1 | | | |
| M | | x1 | N1 |  | x15 | N2 |  | x18 |
| O2 | | x6 | P4 |  | x2 | Q9 |  | x2 |
| R1 | | x11 | R4 |  | x12 | S13 |  | x2 |
| W | | x8 | Z |  | x1 | | | |

MM

260

250

240

230

220

210

200

190

180

170

160

150

140

130

120

110

100

90

80

70

60

50

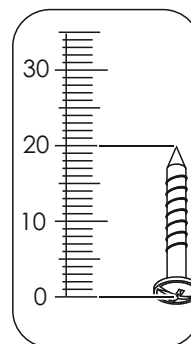
40

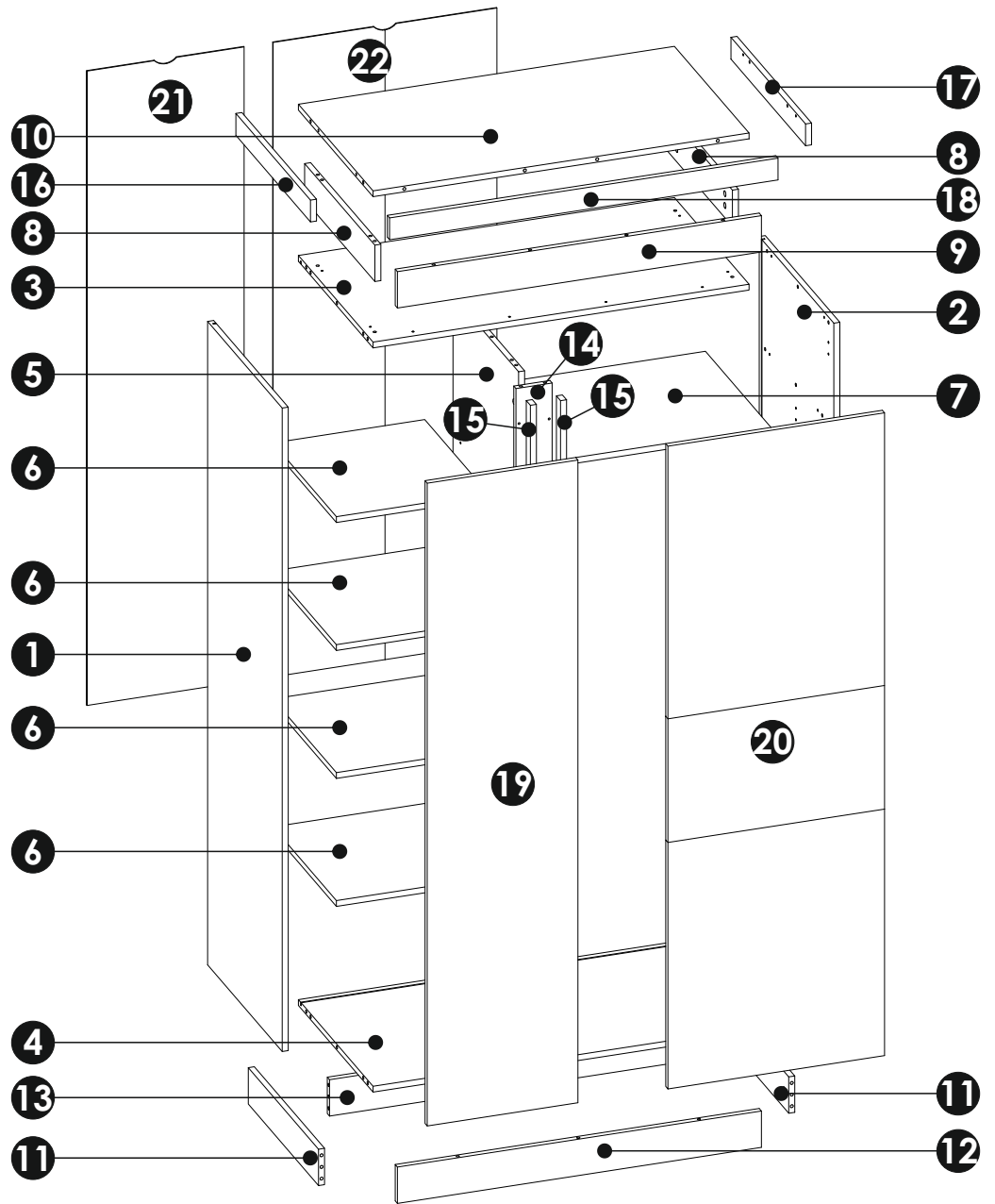
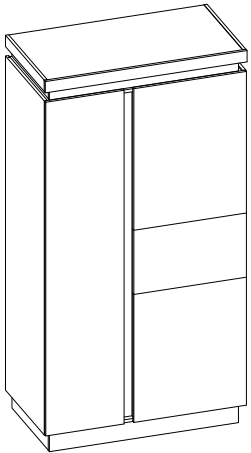
30

20

10

0

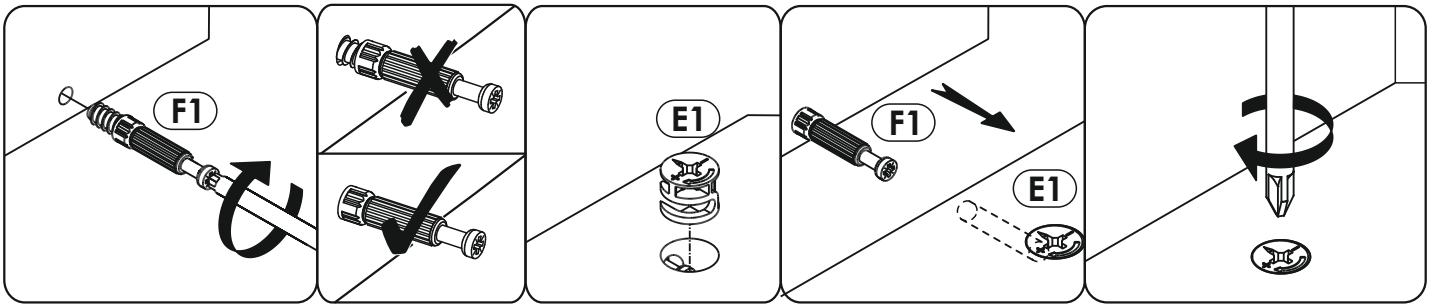




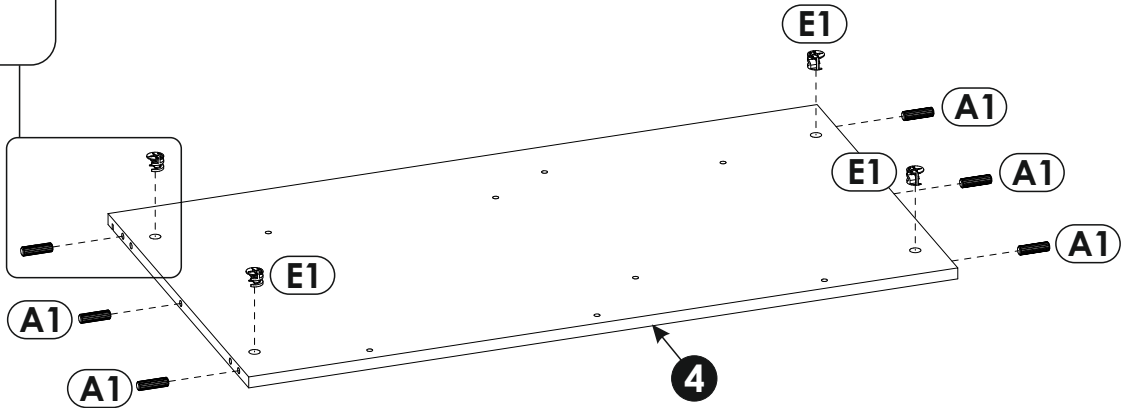
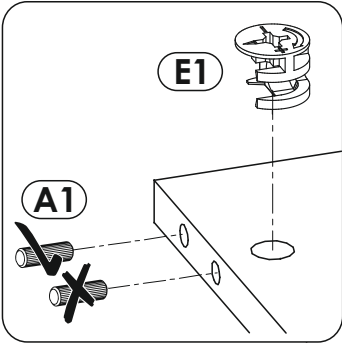
| | | | |
|----------|------|-----|----------|
| 1 | 1770 | 544 | 6 x1 2/4 |
| 2 | 1770 | 554 | 6 x1 2/4 |
| 3 | 998 | 544 | 6 x1 4/4 |
| 4 | 998 | 544 | 6 x1 1/4 |
| 5 | 1731 | 478 | 6 x1 3/4 |
| 6 | 403 | 463 | 6 x4 1/4 |
| 7 | 579 | 478 | 6 x1 1/4 |
| 8 | 512 | 100 | 6 x2 1/4 |

| | | | |
|-----------|------|-----|----------|
| 9 | 966 | 100 | 6 x1 1/4 |
| 10 | 998 | 544 | 6 x1 4/4 |
| 11 | 512 | 100 | 6 x2 1/4 |
| 12 | 966 | 100 | 6 x1 1/4 |
| 13 | 932 | 100 | 6 x1 1/4 |
| 14 | 1731 | 96 | 6 x1 3/4 |
| 15 | 1731 | 30 | 6 x2 4/4 |

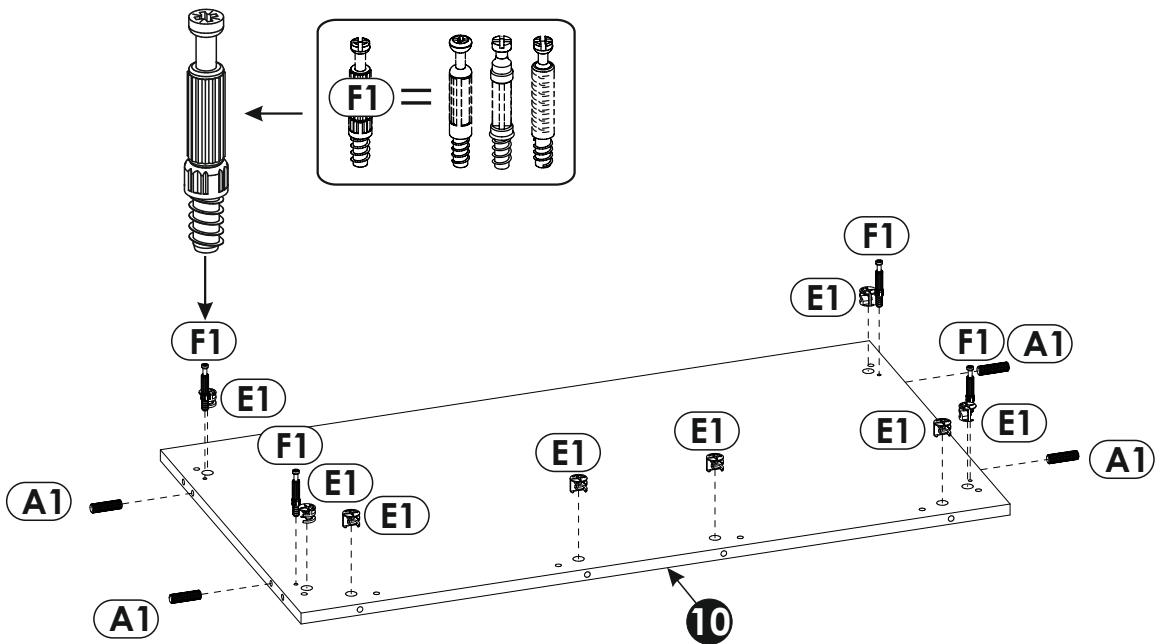
| | | | |
|-----------|------|-----|----------|
| 16 | 544 | 60 | 6 x1 4/4 |
| 17 | 544 | 60 | 6 x1 4/4 |
| 18 | 1031 | 60 | 6 x1 4/4 |
| 19 | 1768 | 400 | 6 x1 4/4 |
| 20 | 1768 | 575 | 6 x1 3/4 |
| 21 | 1745 | 417 | 3 x1 3/4 |
| 22 | 1745 | 594 | 3 x1 2/4 |



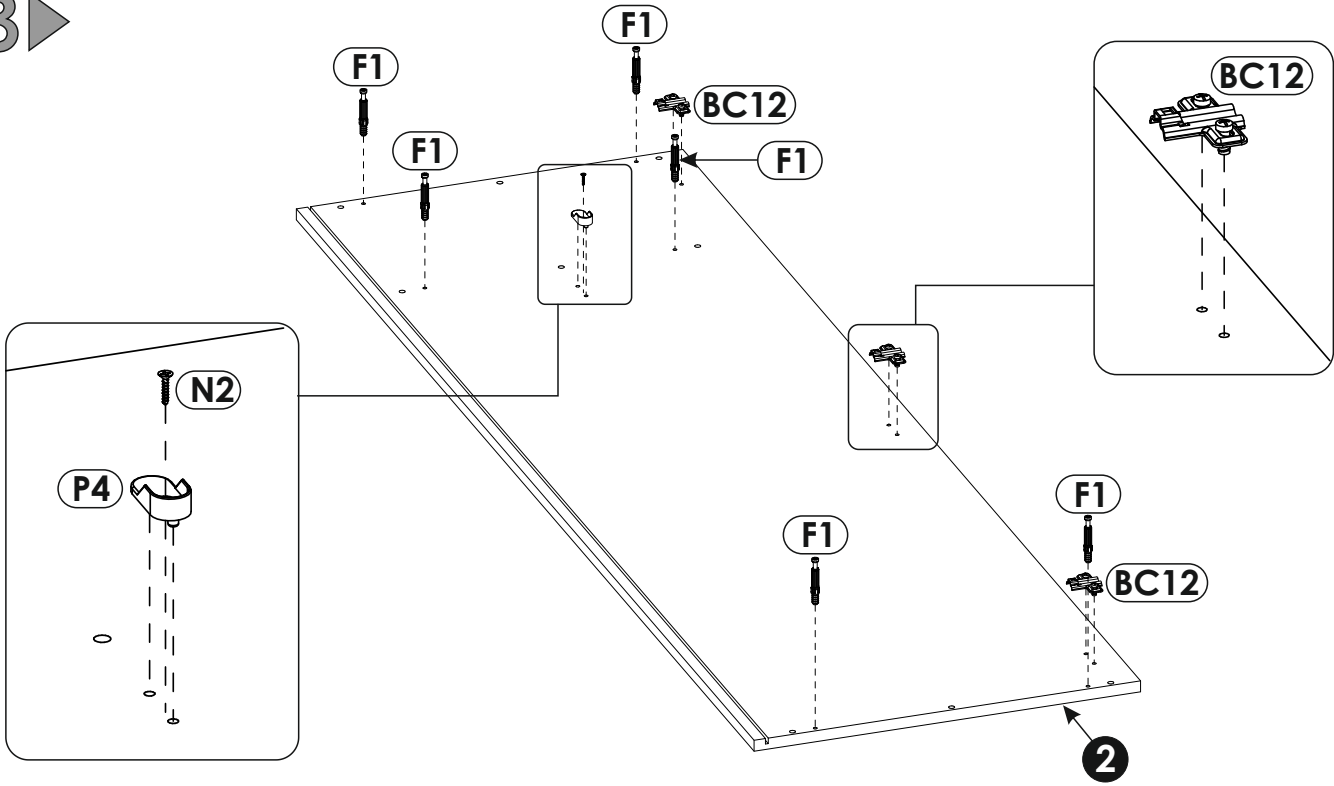
1 ▶



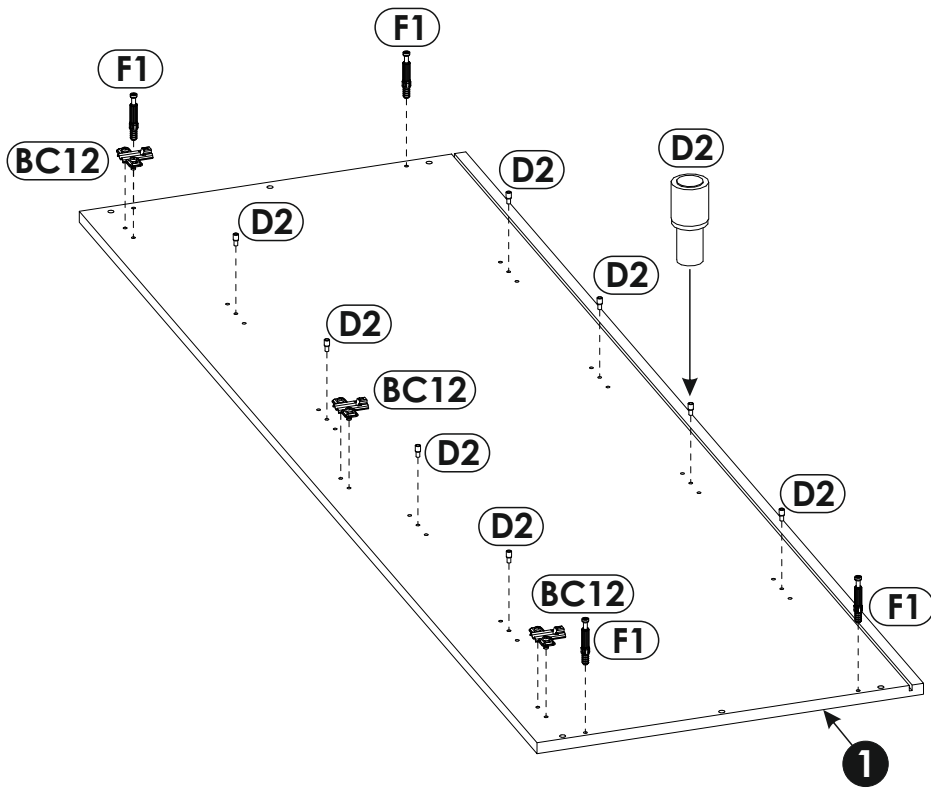
2 ▶



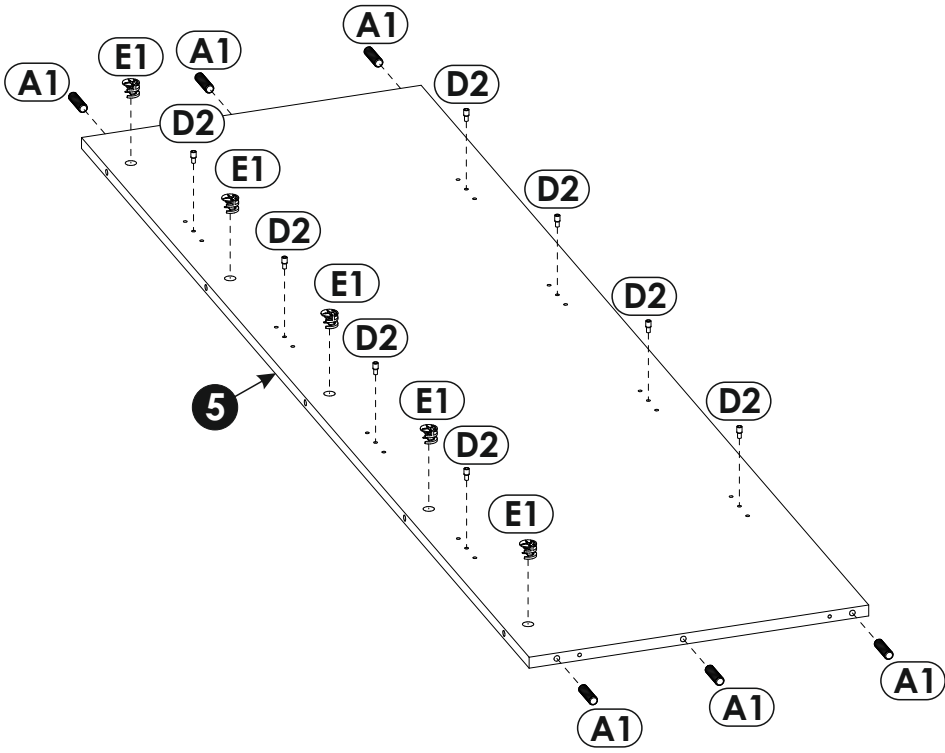
3 ▶



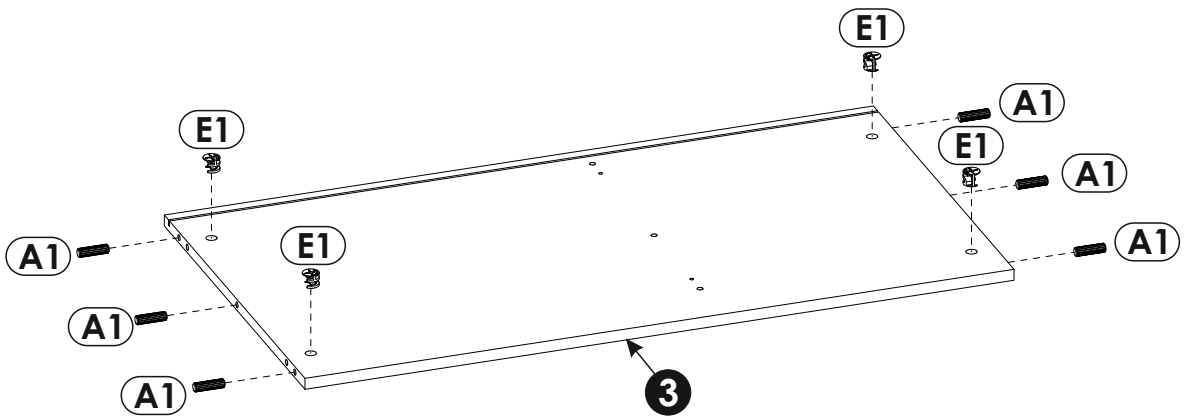
4 ▶



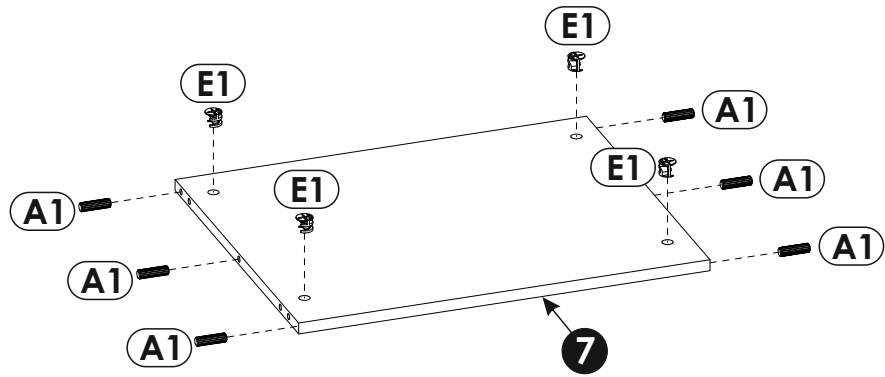
5 ▶



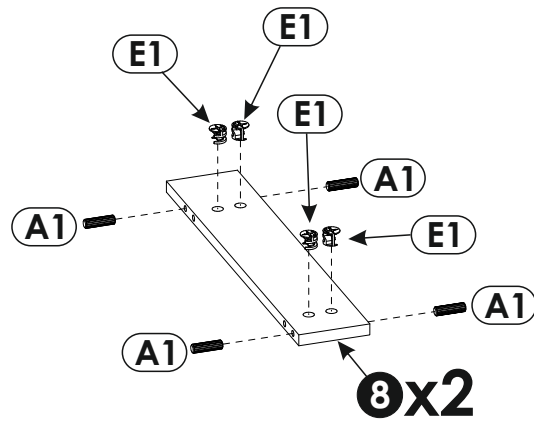
6 ▶



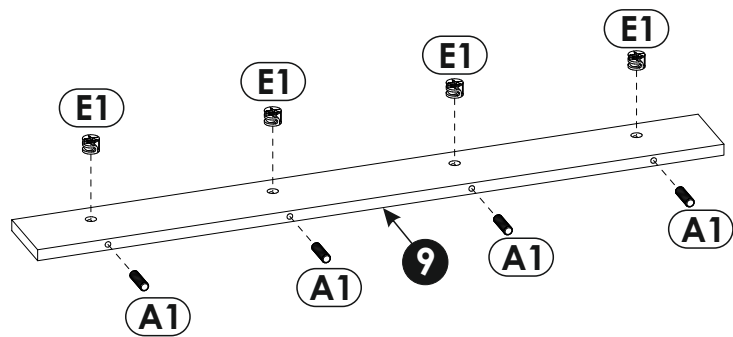
7▶



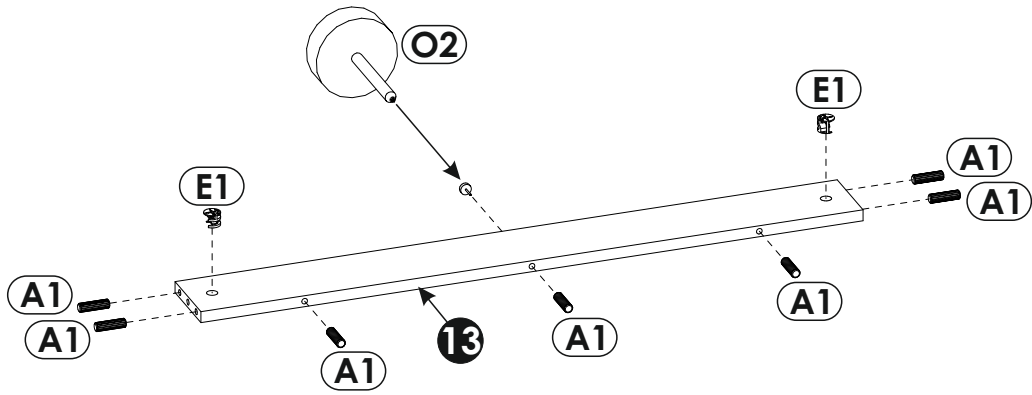
8▶



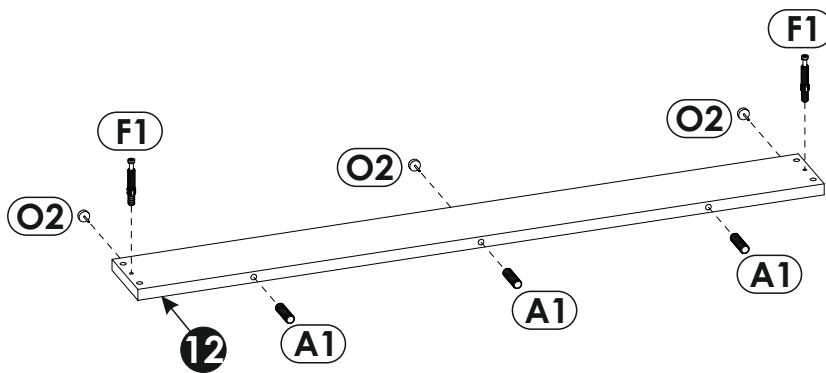
9▶



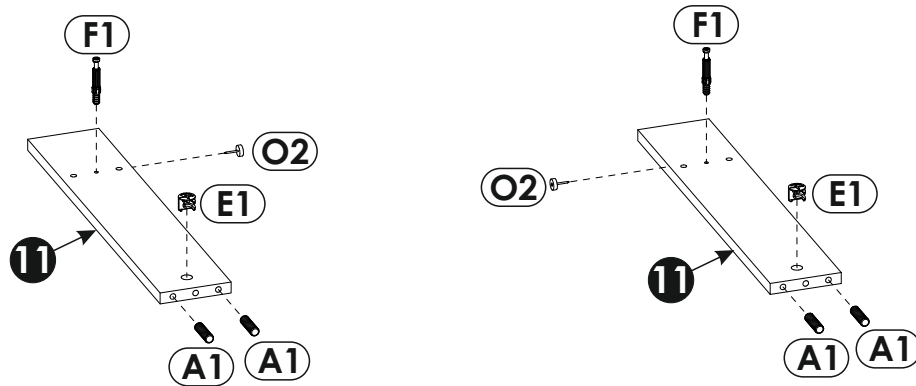
10 ▶



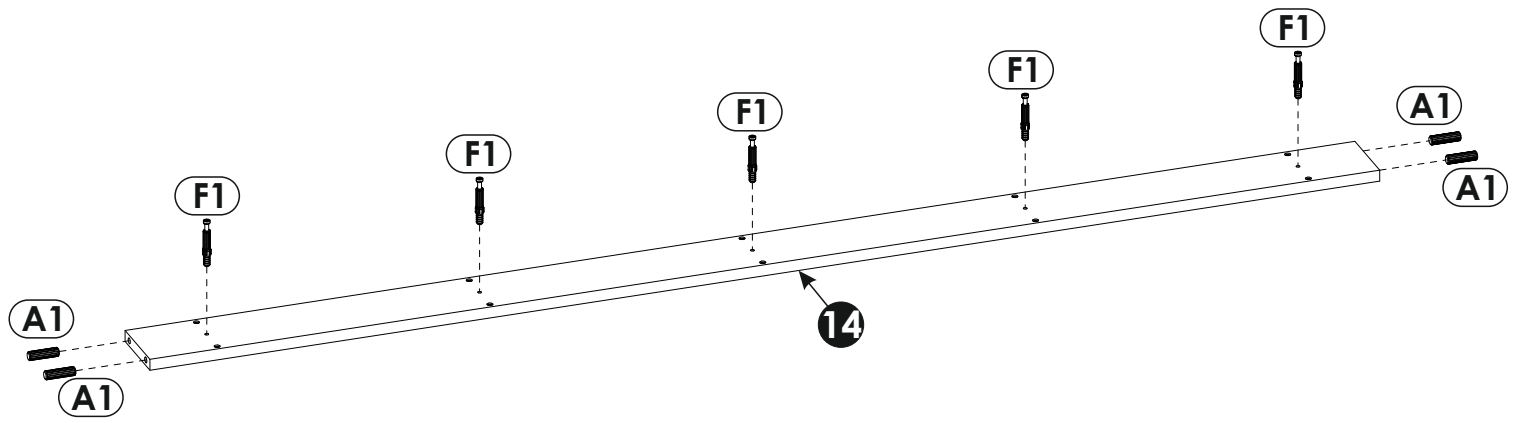
11 ▶



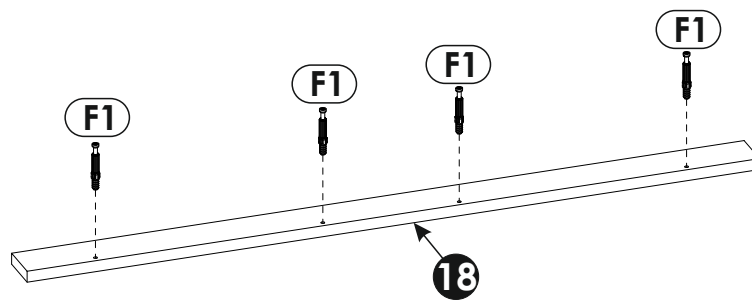
12 ▶



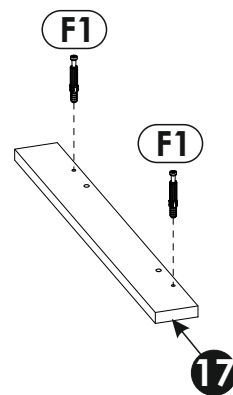
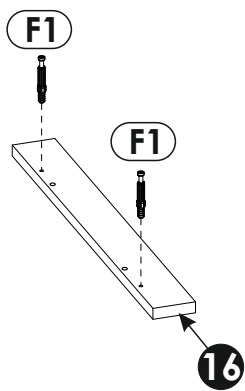
13▶



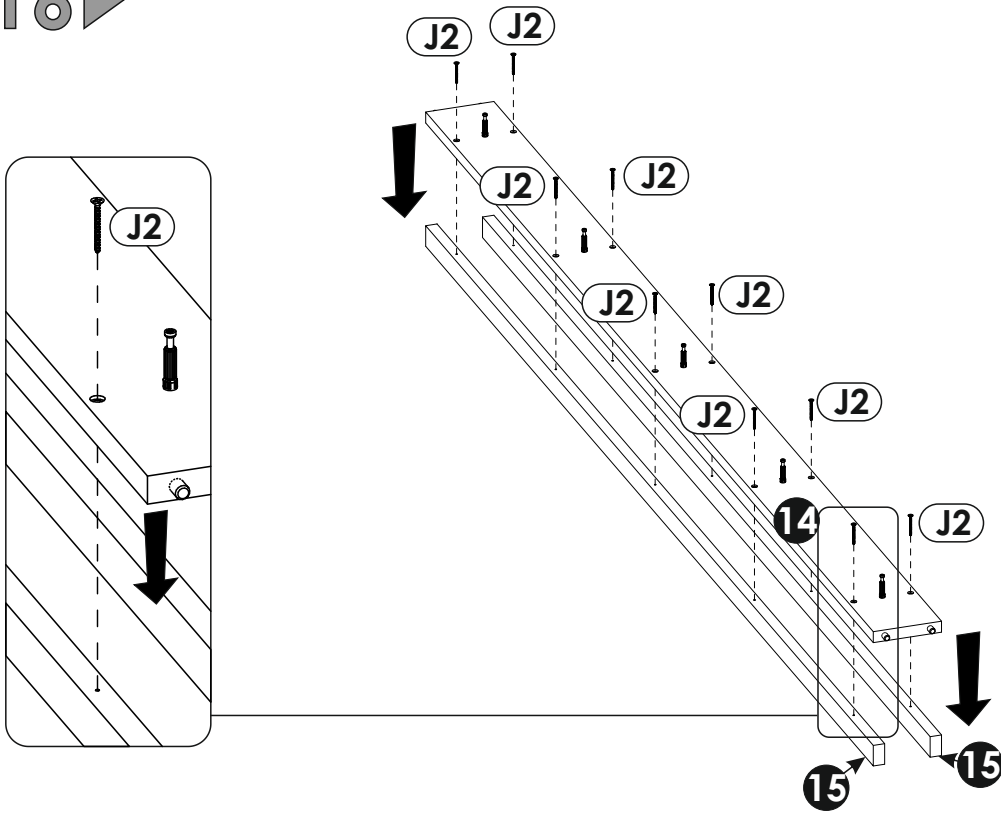
14▶



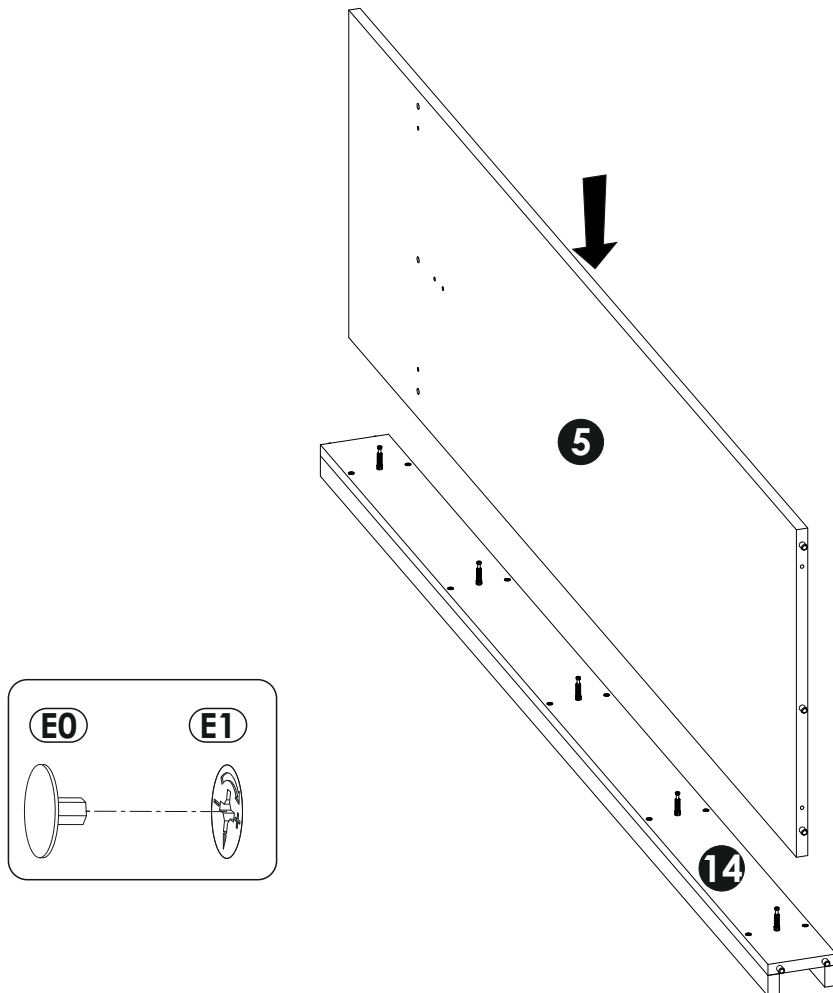
15▶



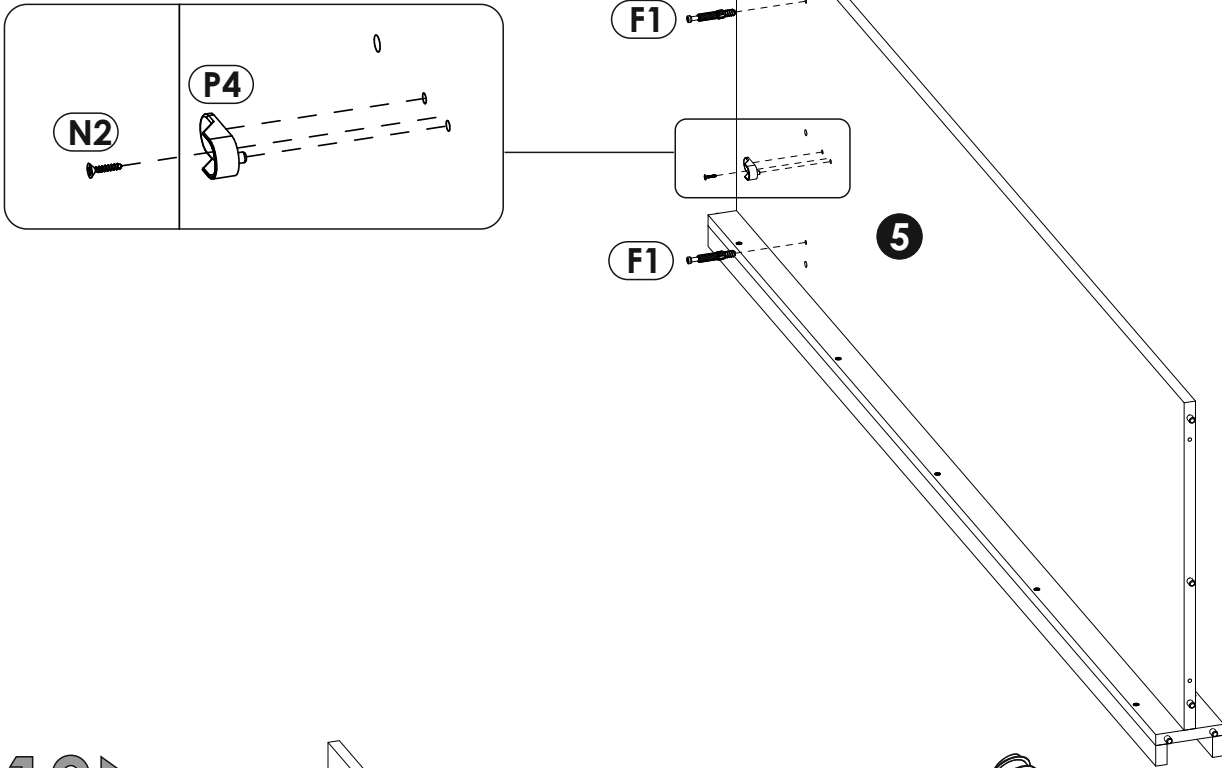
16▶



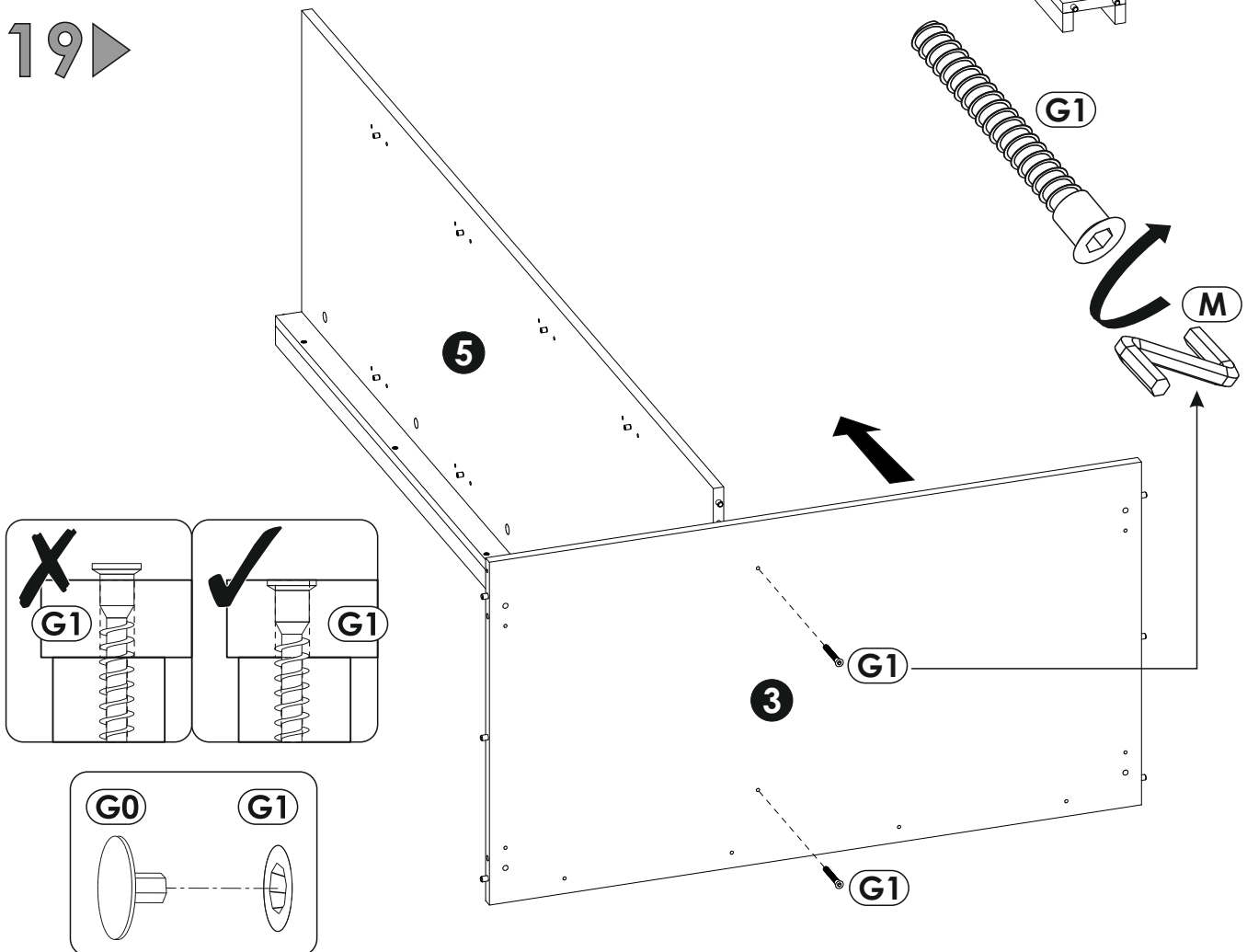
17▶



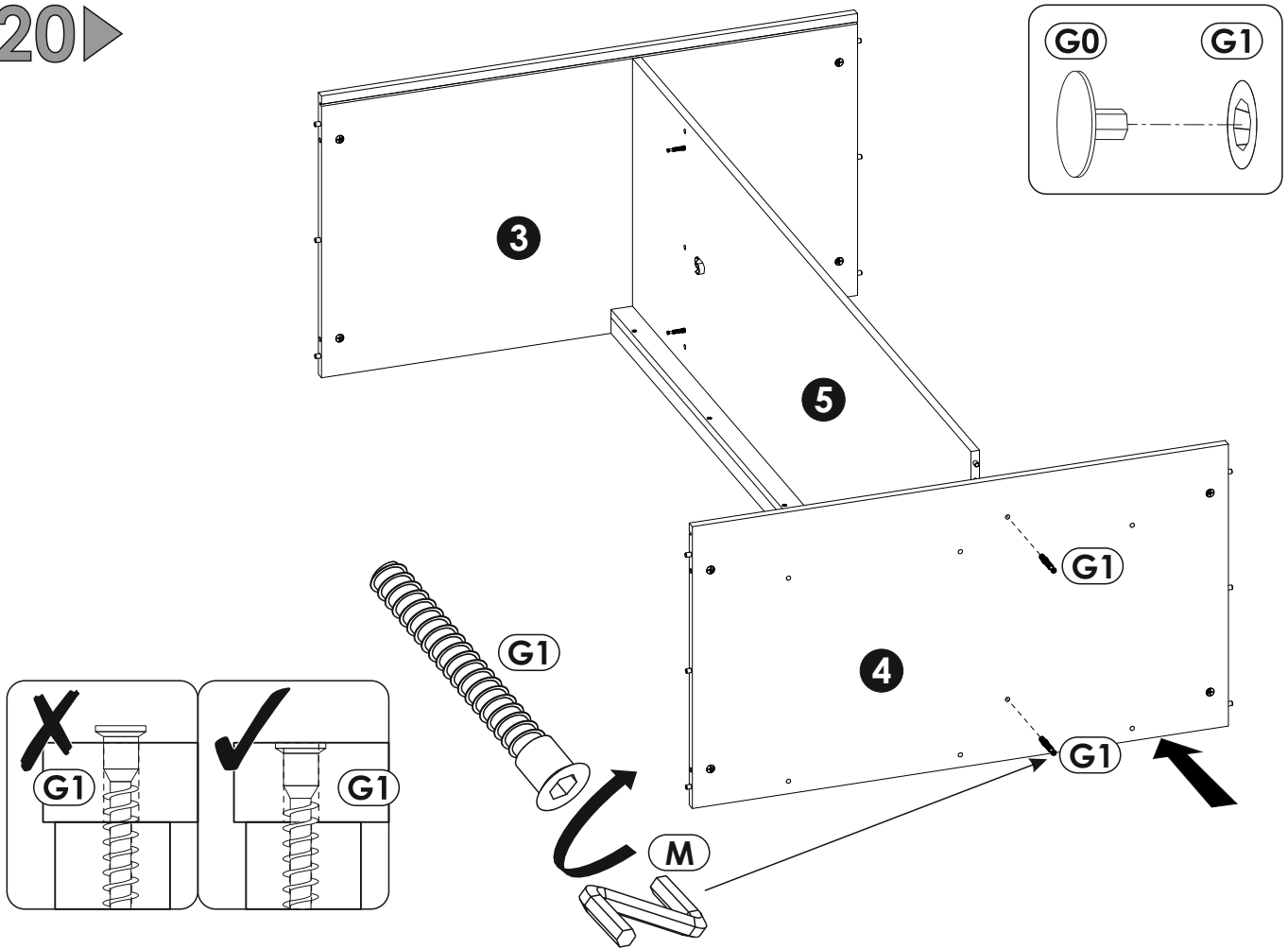
18▶



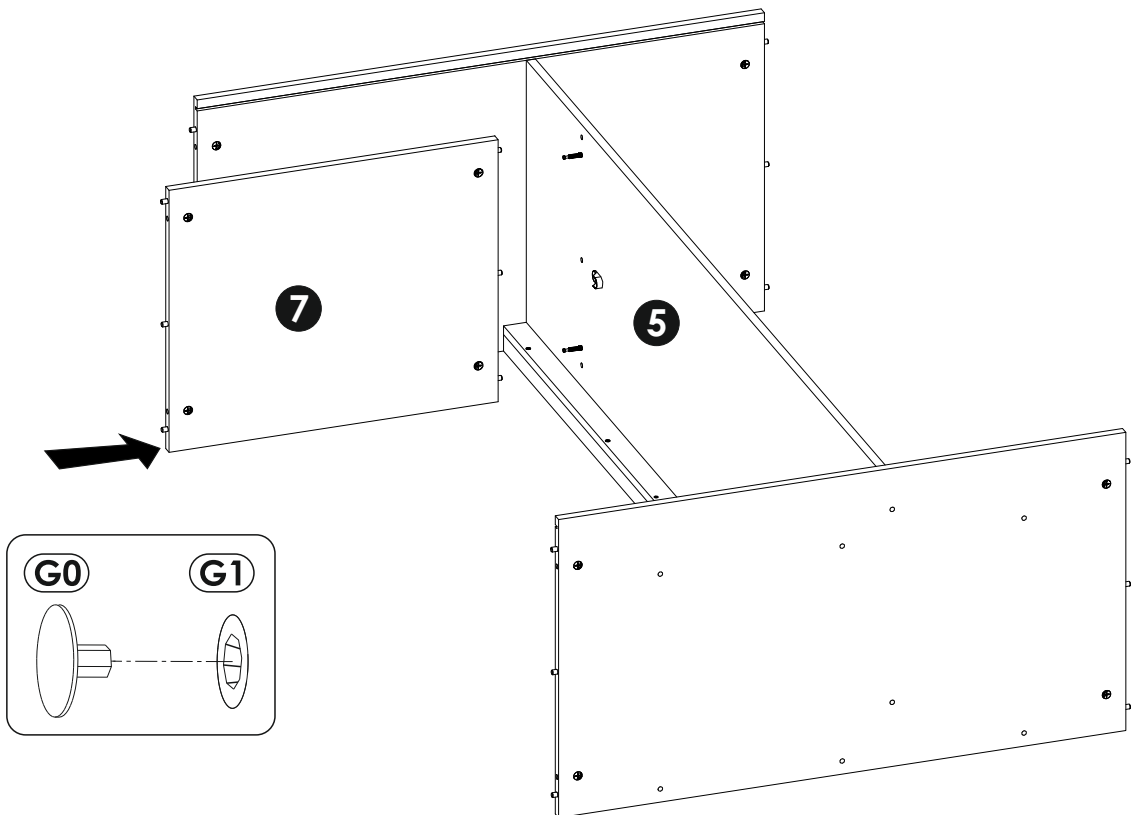
19▶



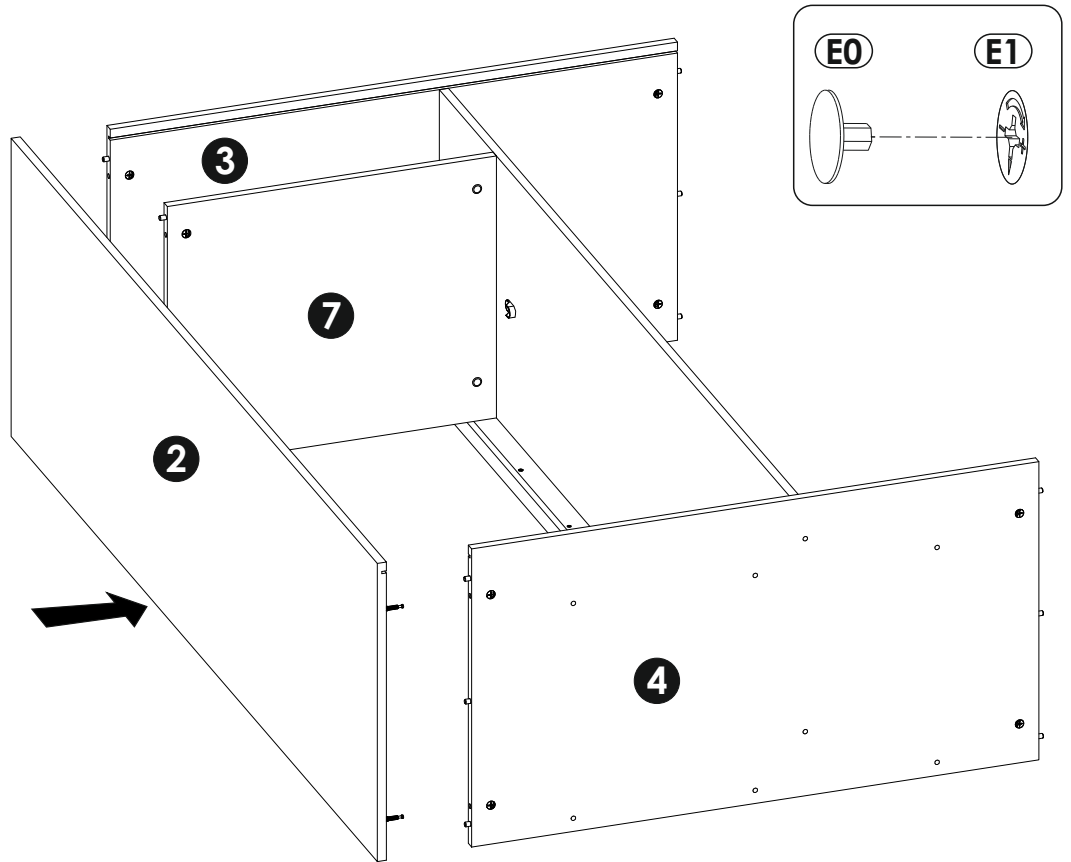
20 ▶



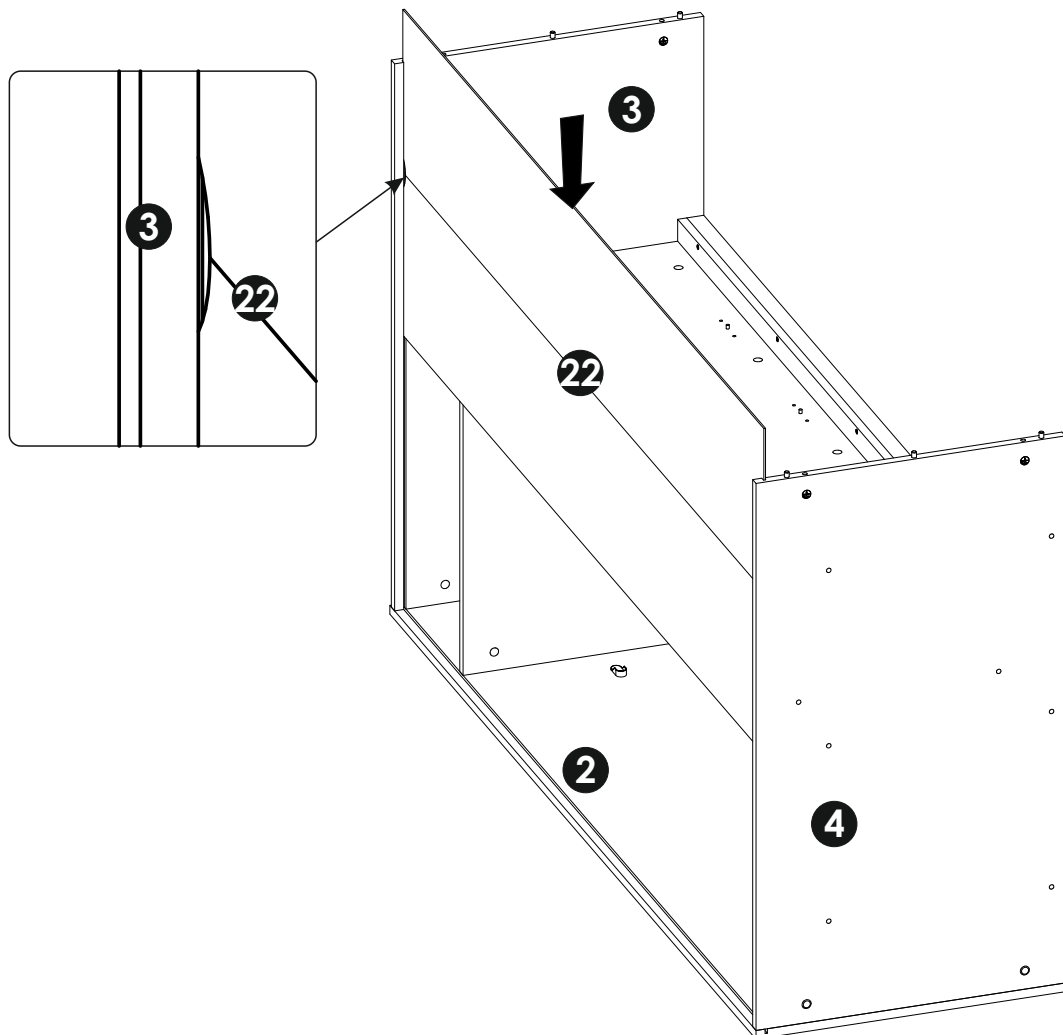
21 ▶



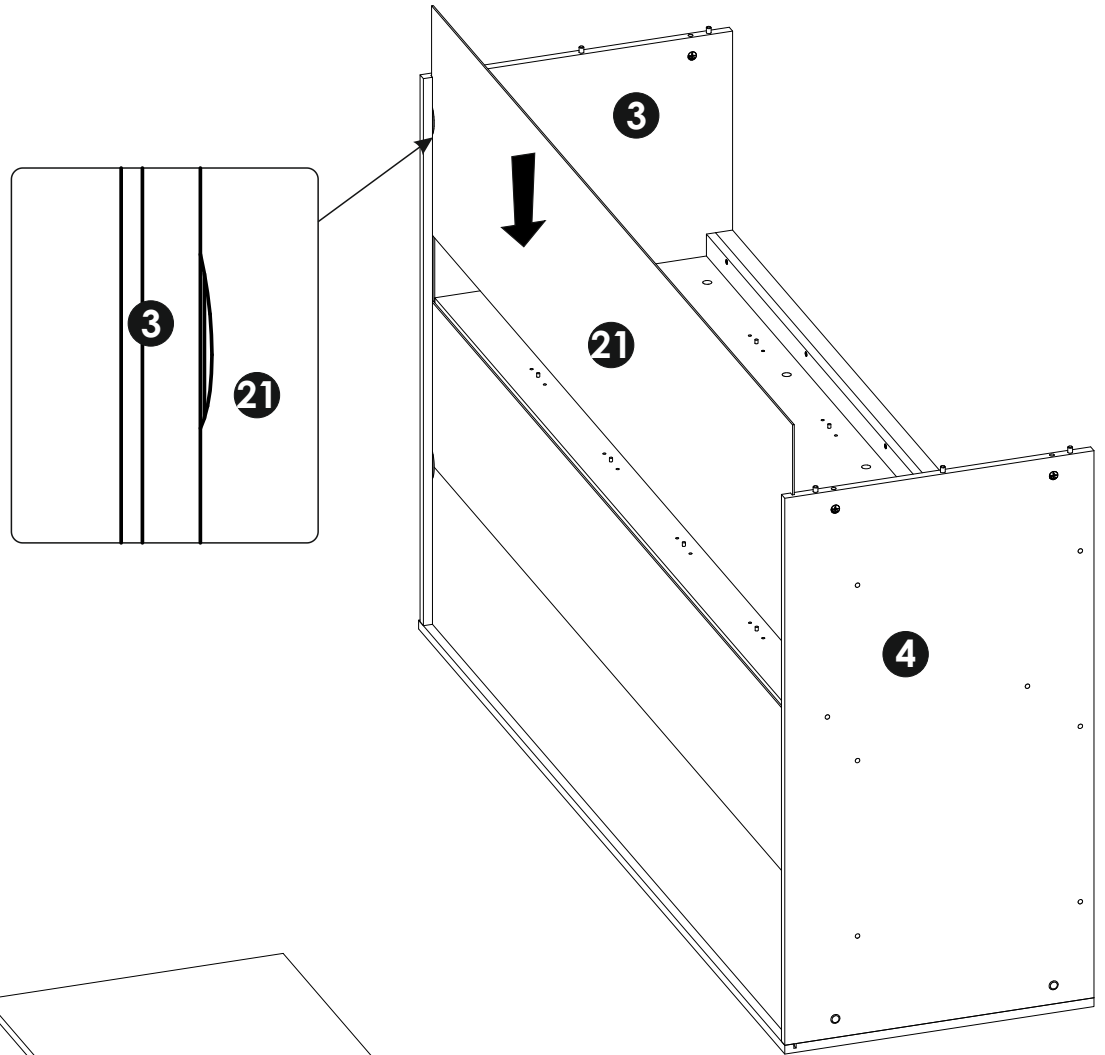
22 ▶



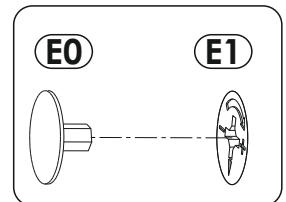
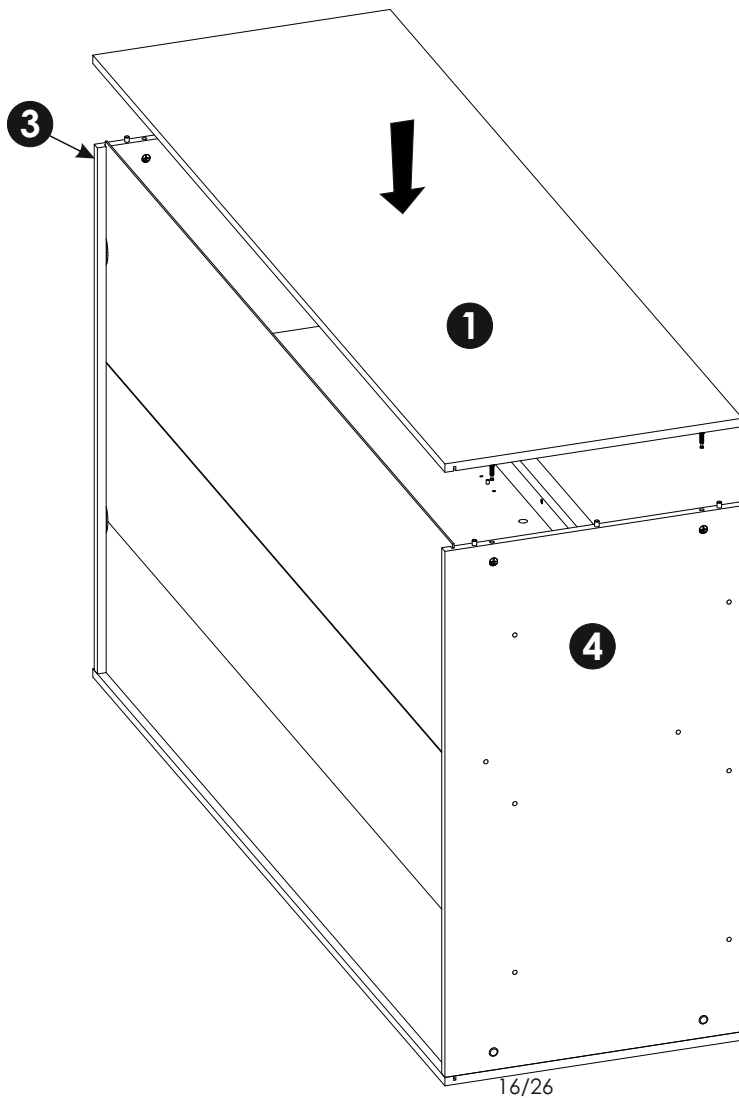
23 ▶



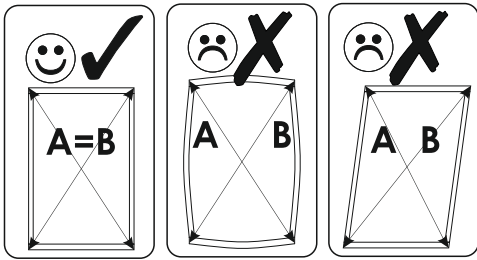
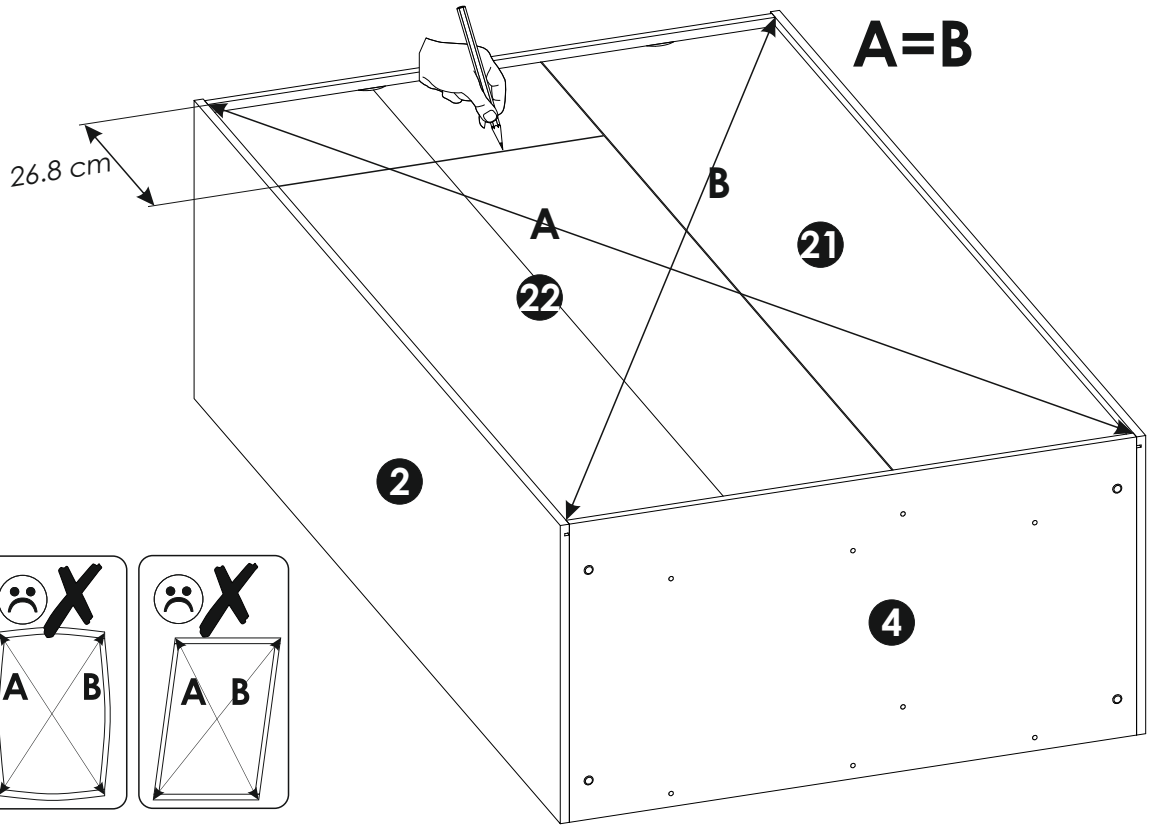
24▶



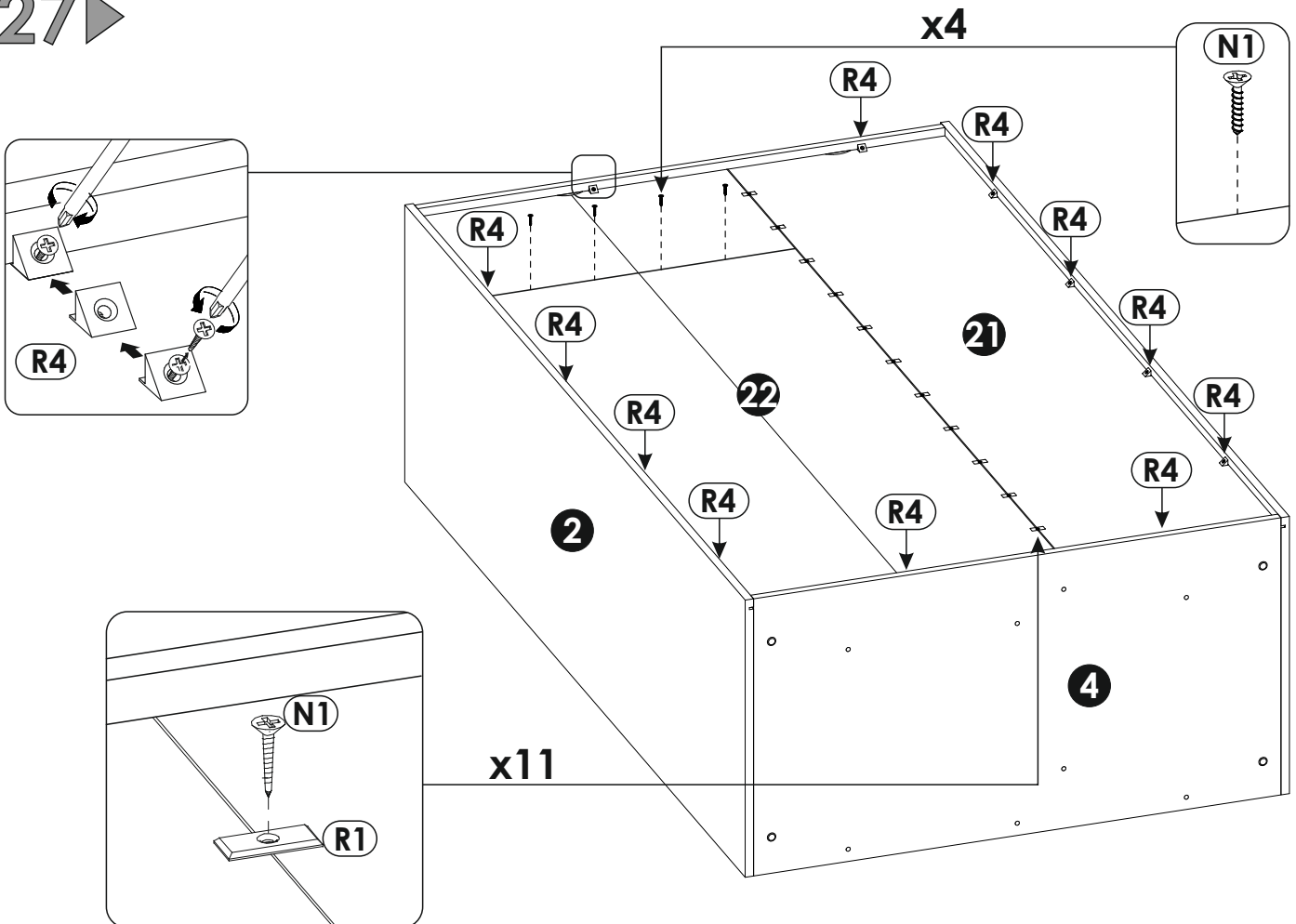
25▶



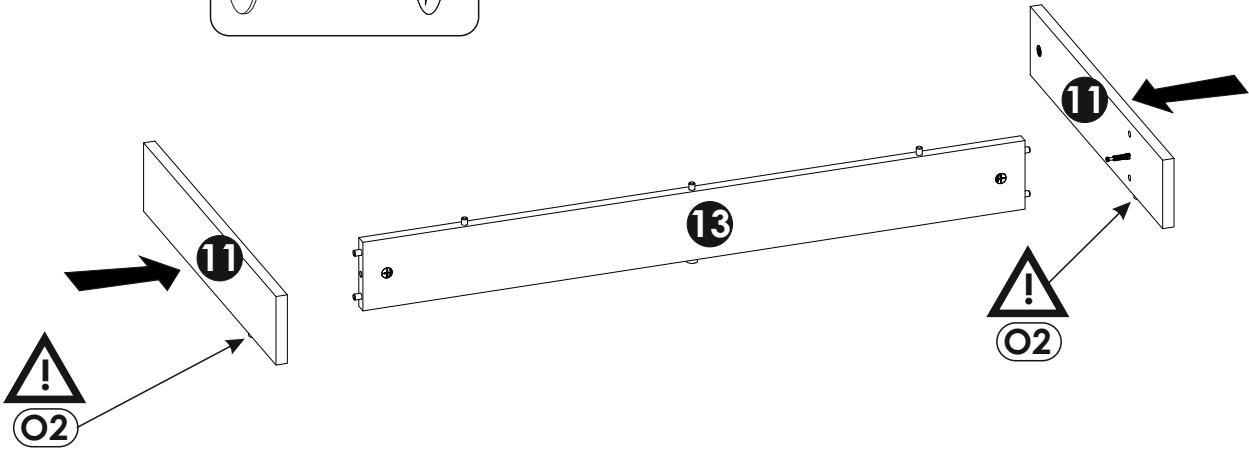
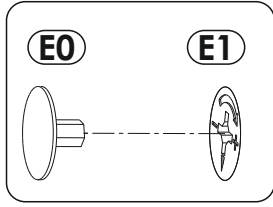
26 ▶



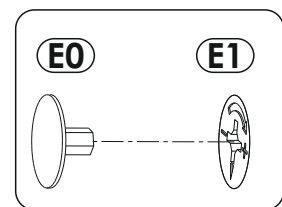
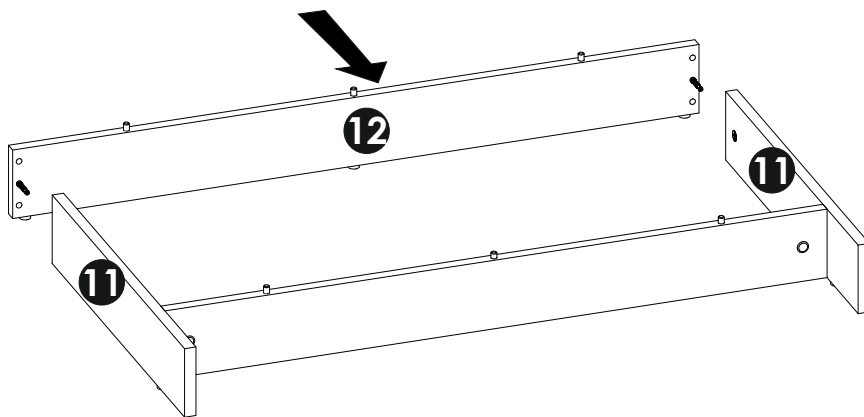
27 ▶



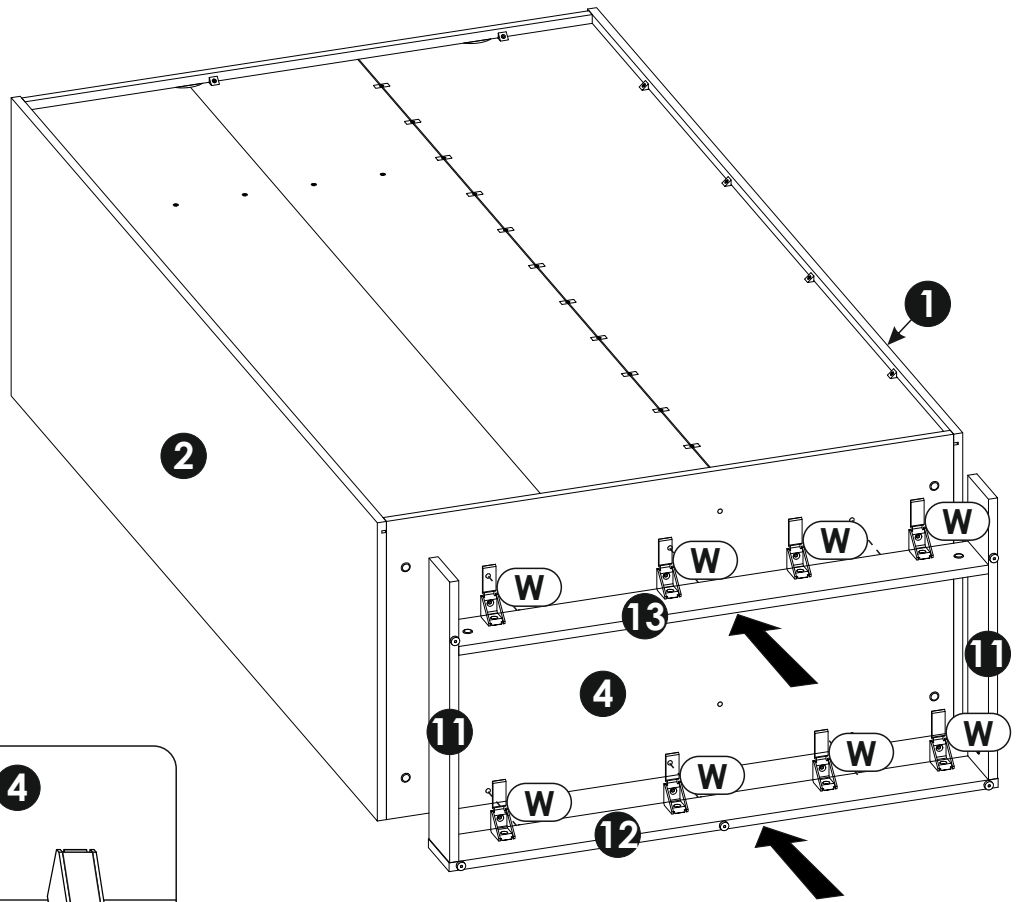
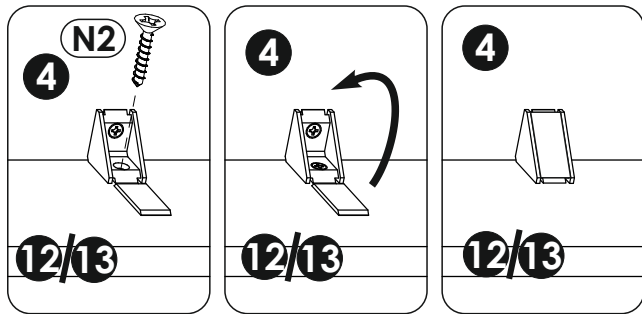
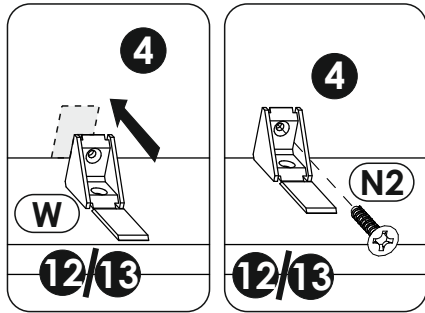
28 ▶



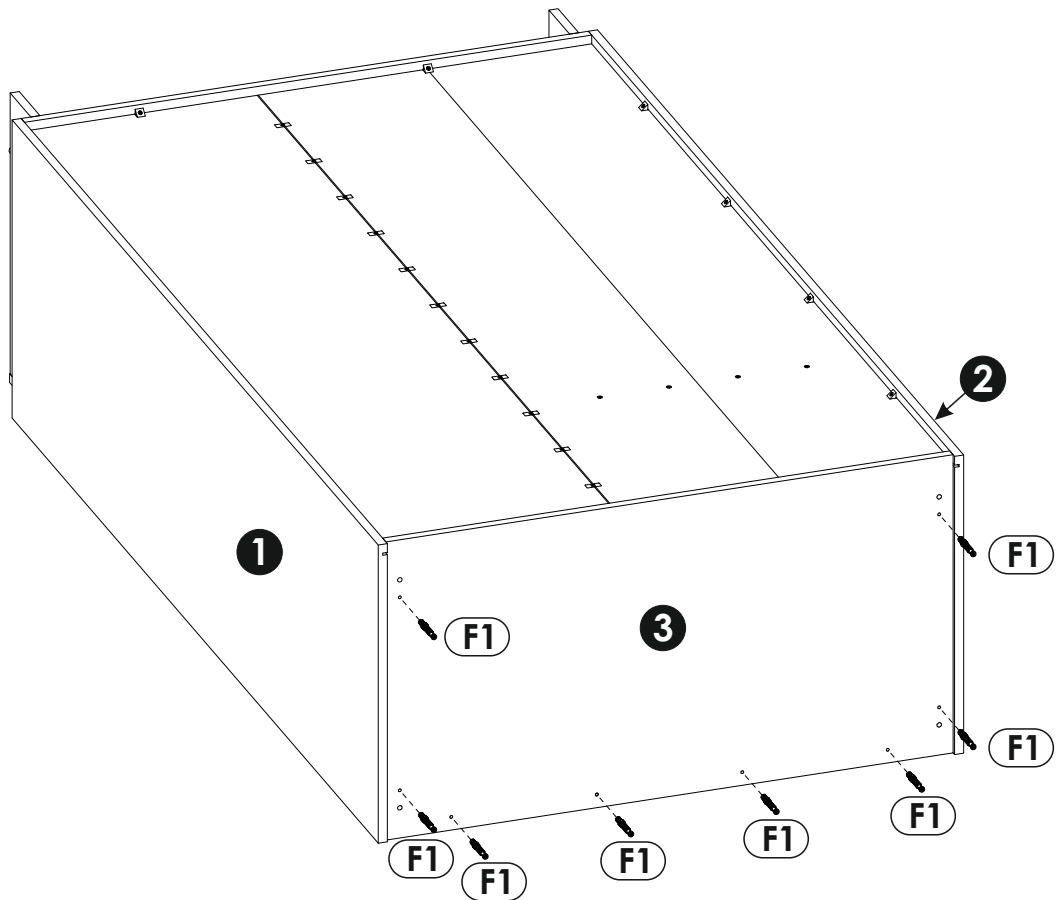
29 ▶



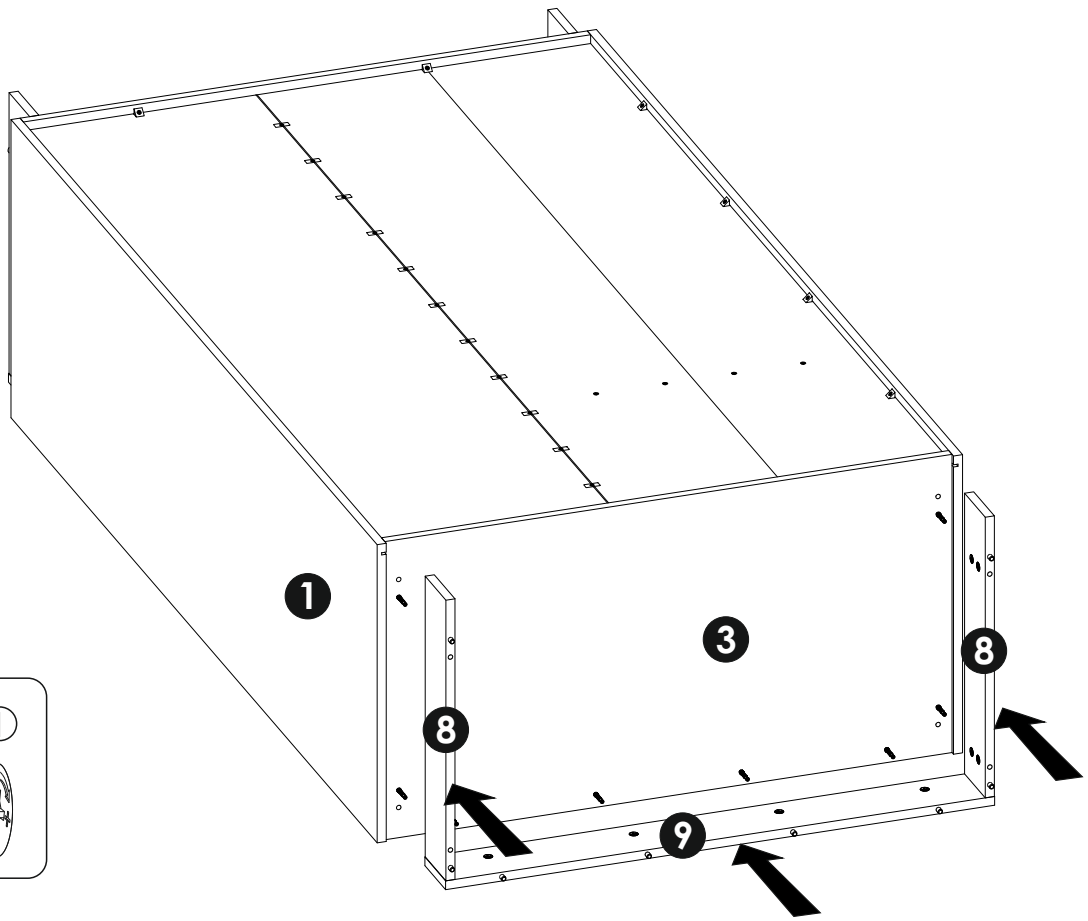
30 ▶



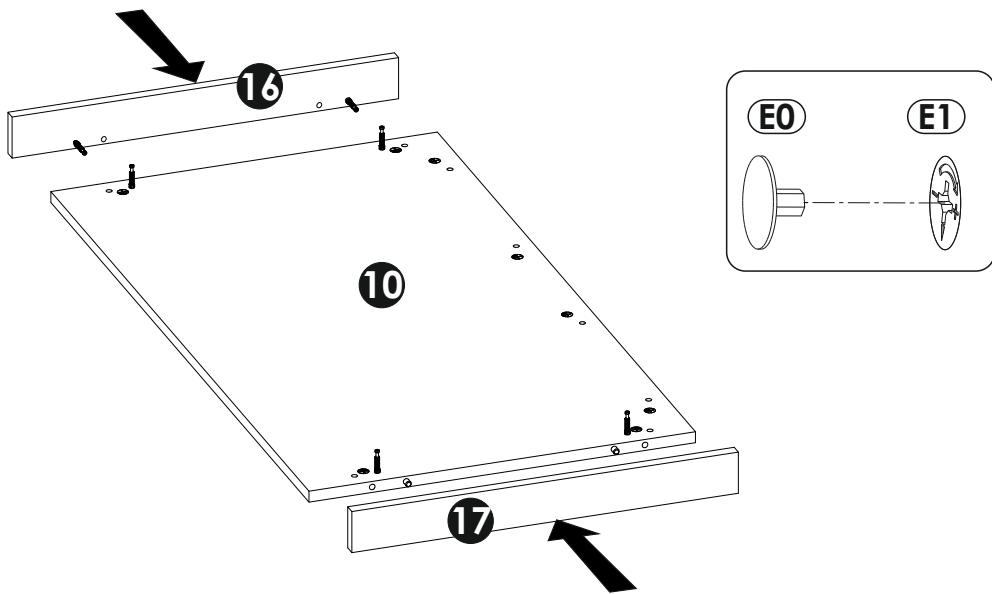
31 ▶



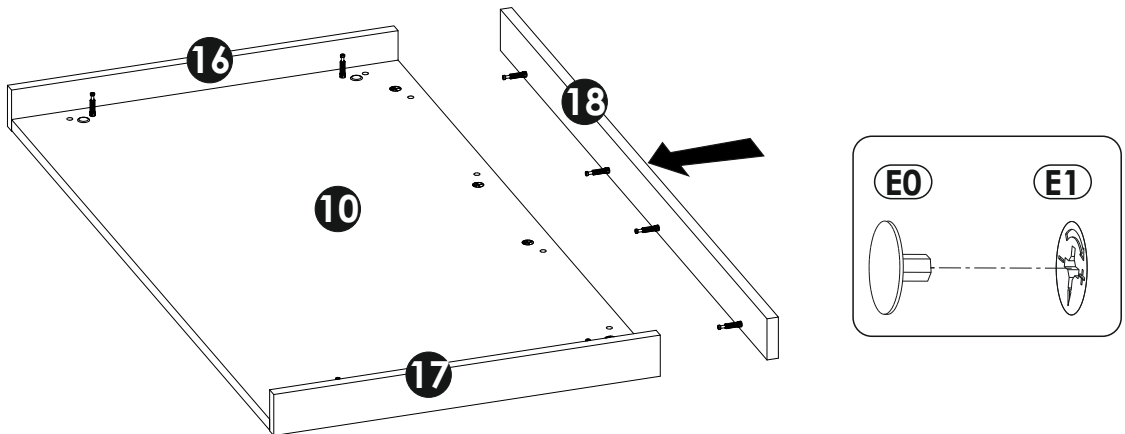
32 ▶



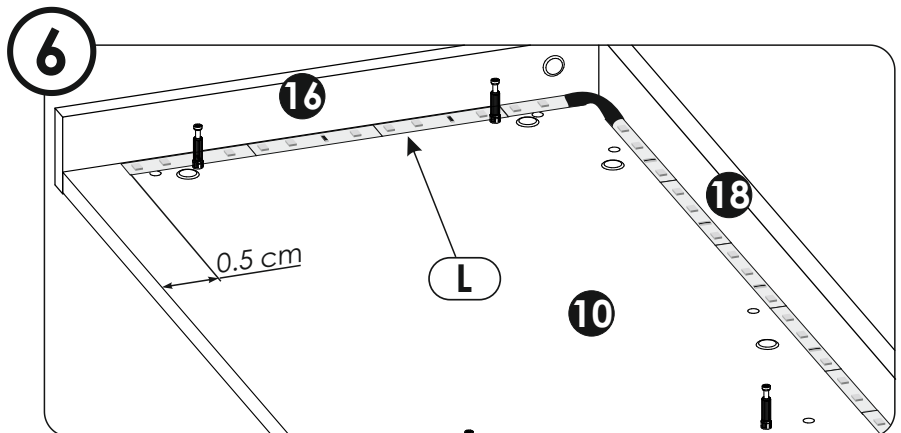
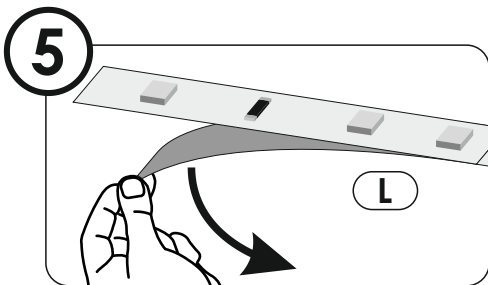
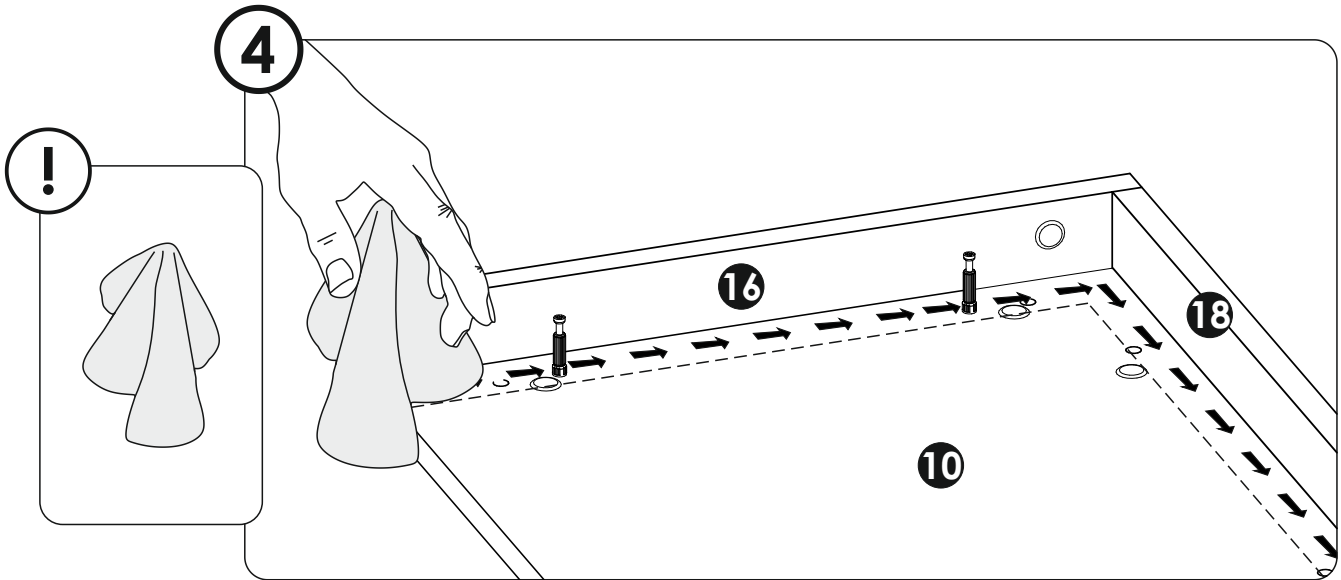
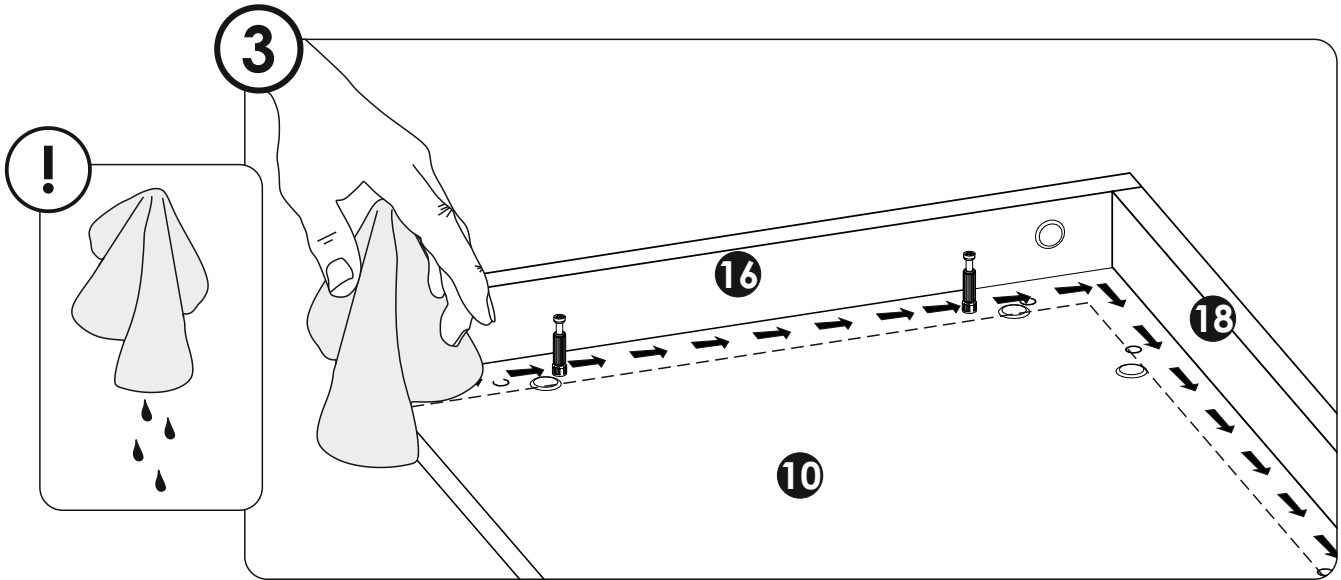
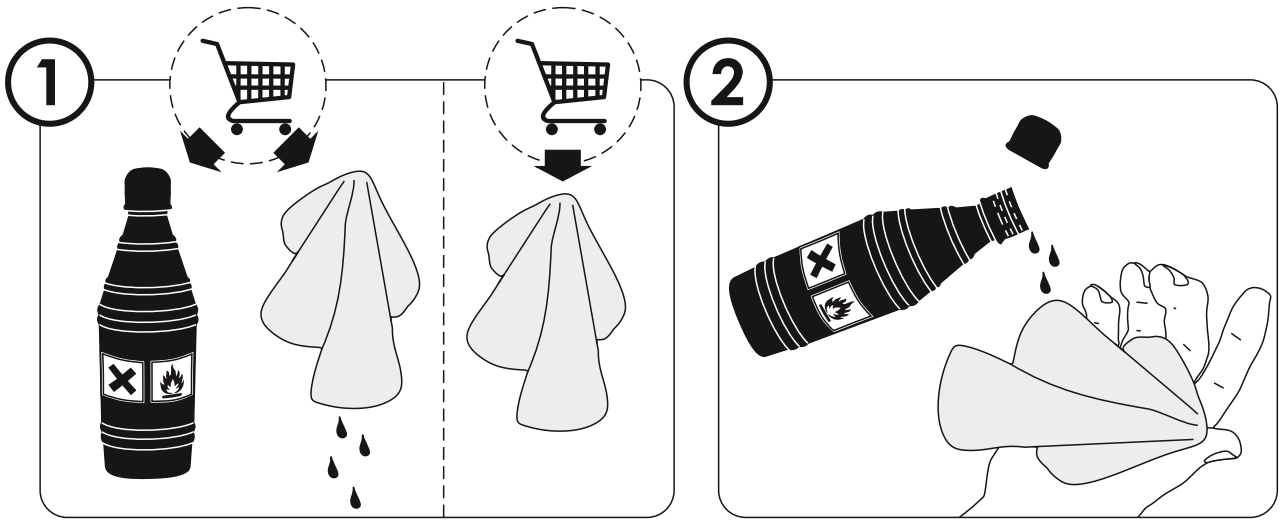
33 ▶

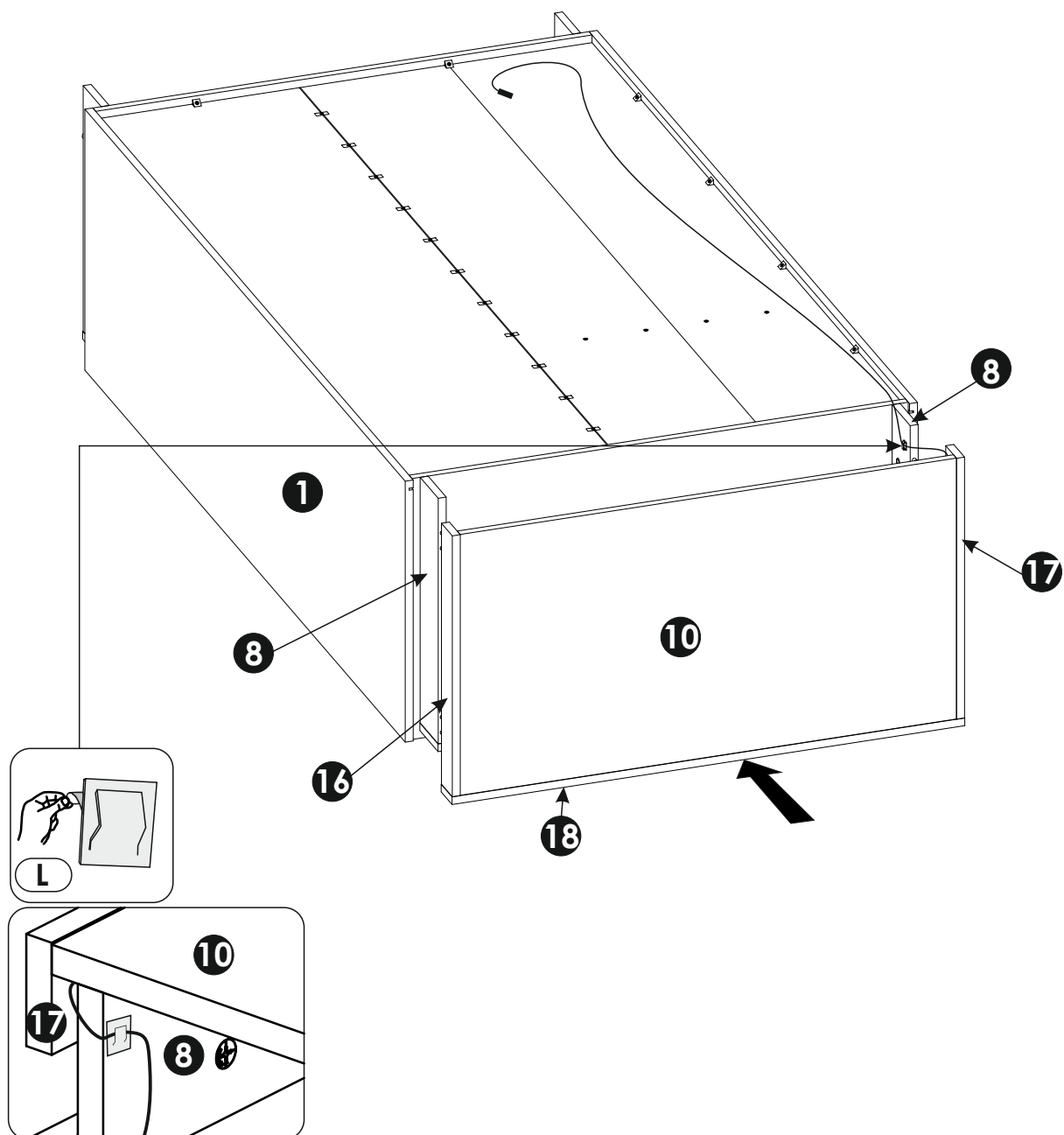


34 ▶

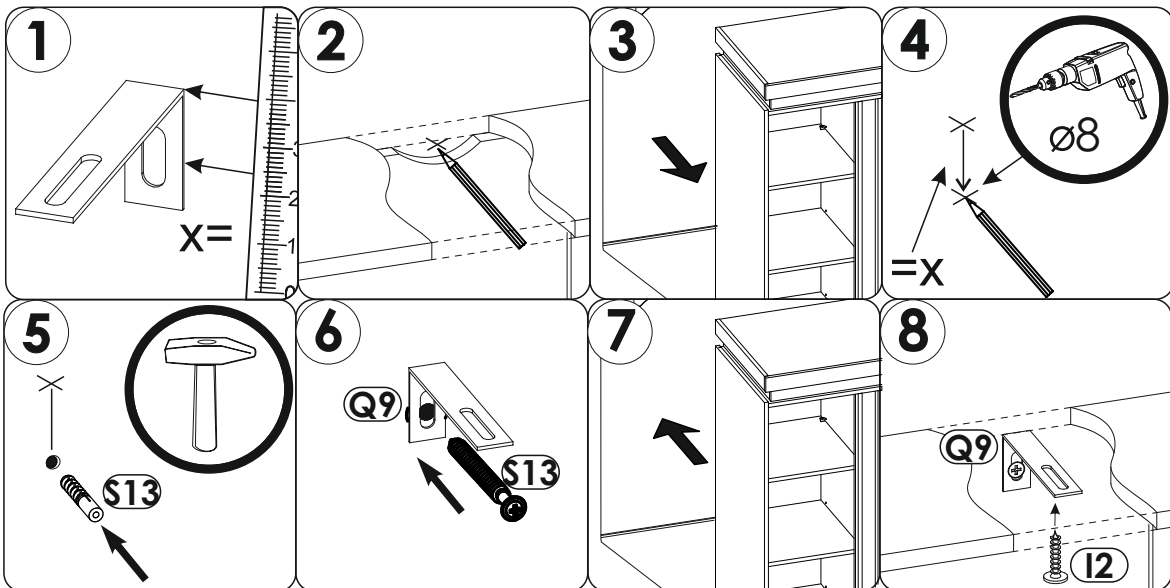
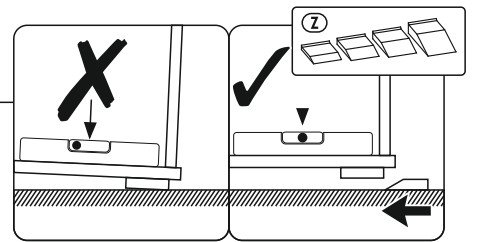
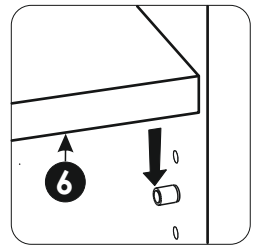
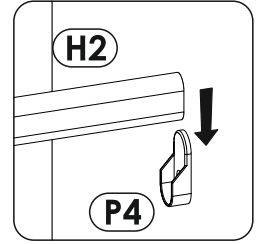
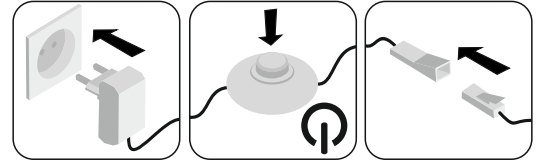
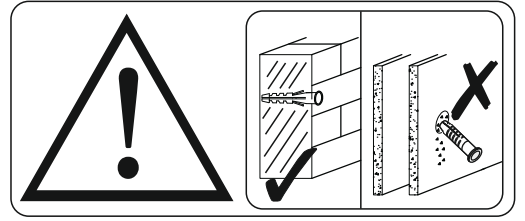
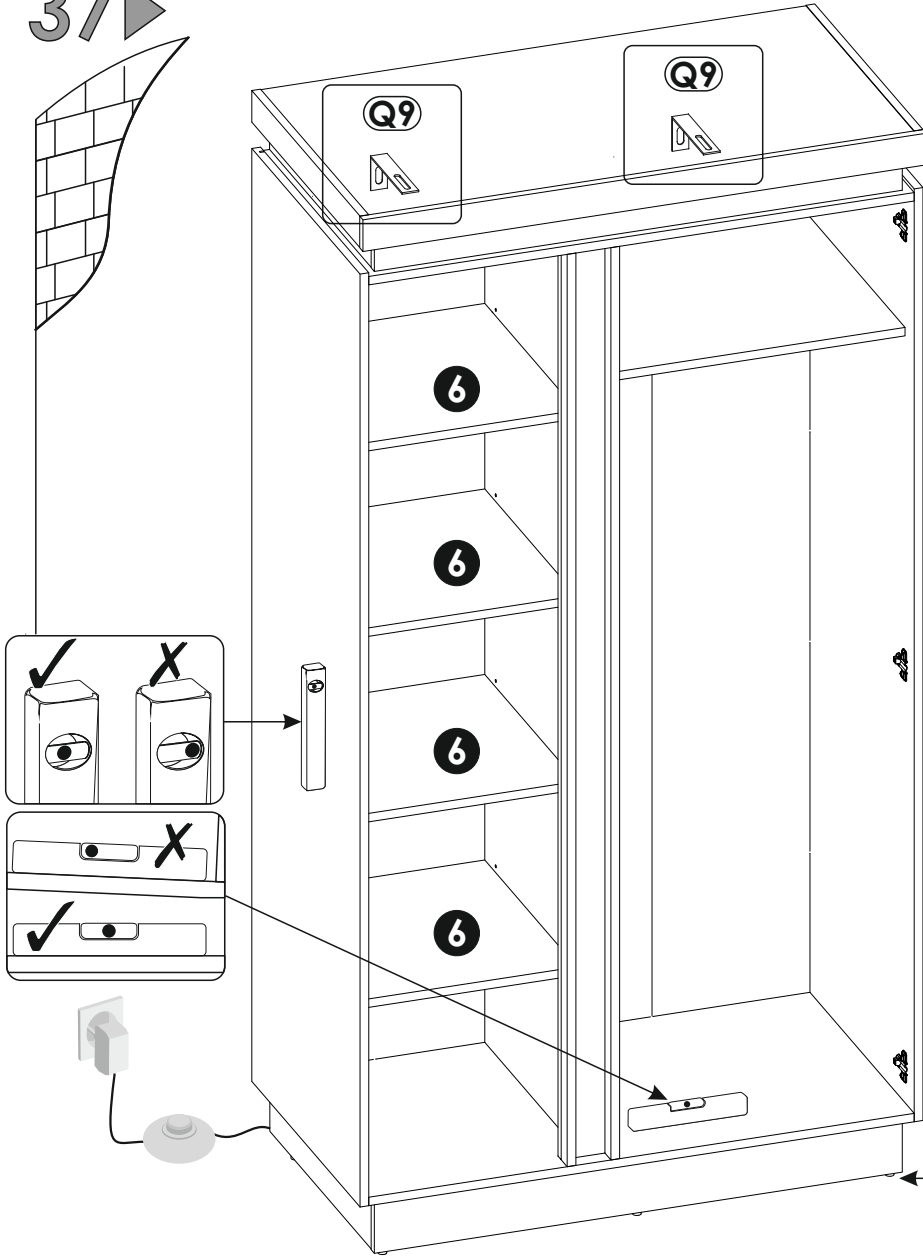


35 ▶

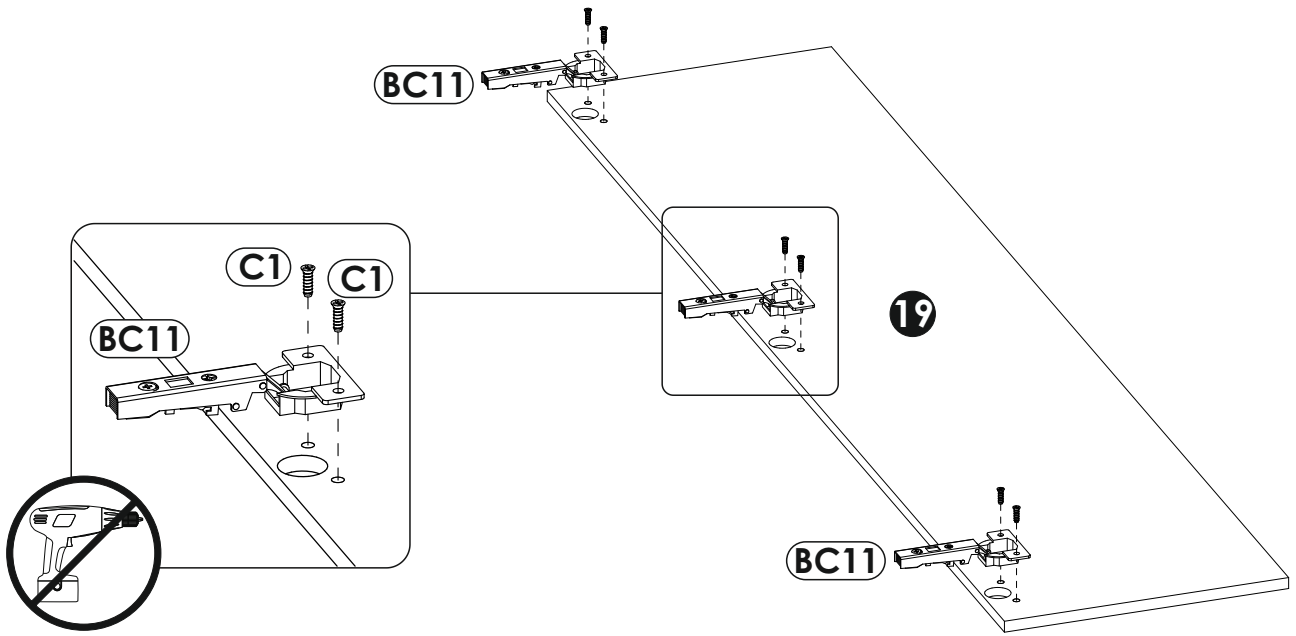




37 ▶



38 ▶



39 ▶

