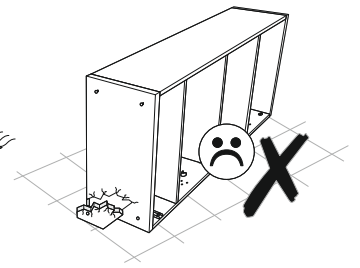
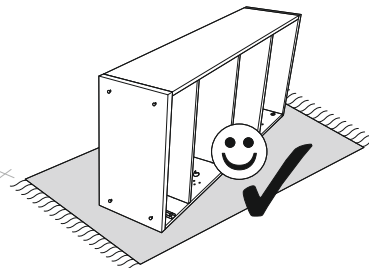
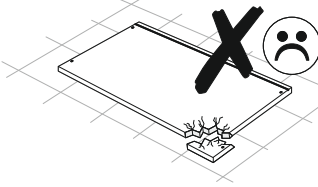
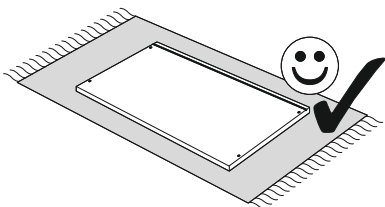
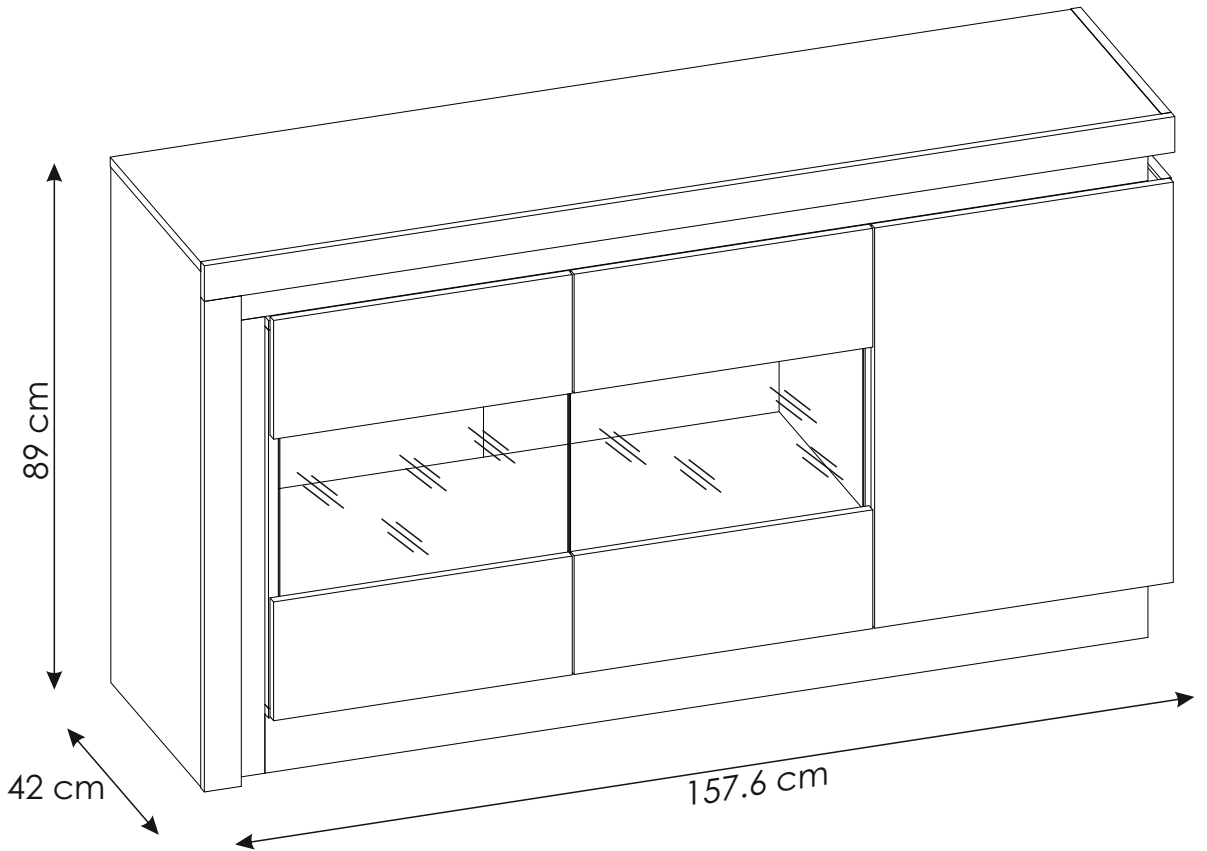
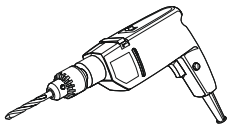
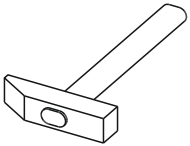
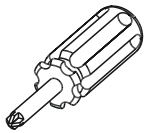
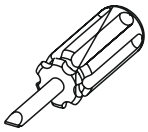
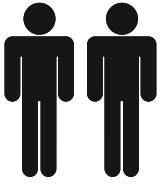
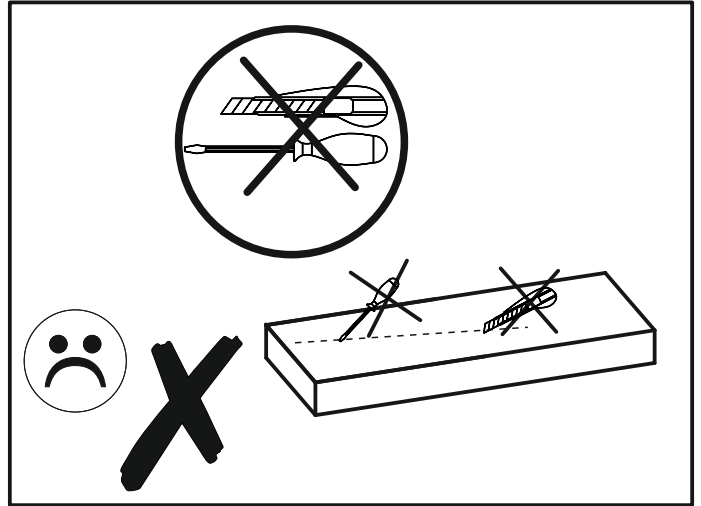
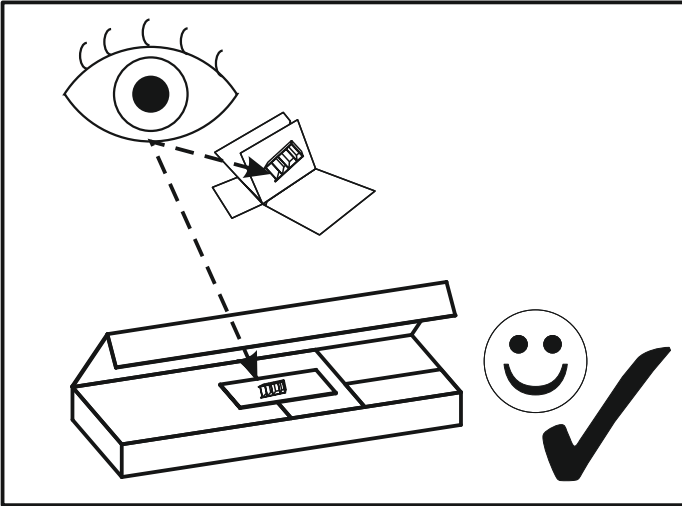


LEONARDO LYOK02





MM

260

250

240

230

220

210

200

190

180

170

160

150

140

130

120

110

100

90

80

70

60

50

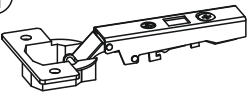
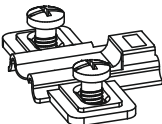
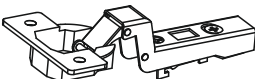
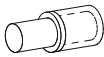
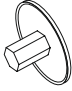
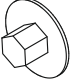
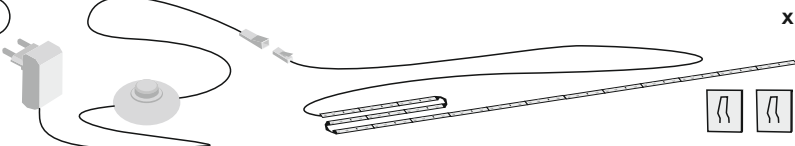
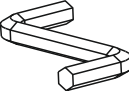
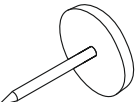

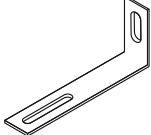
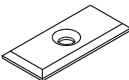
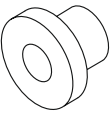
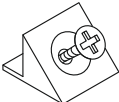
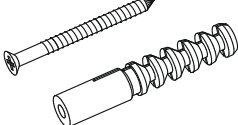
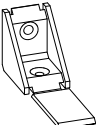
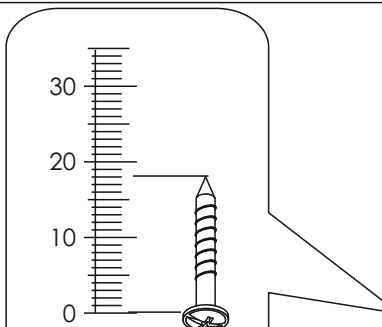
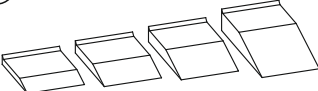
40

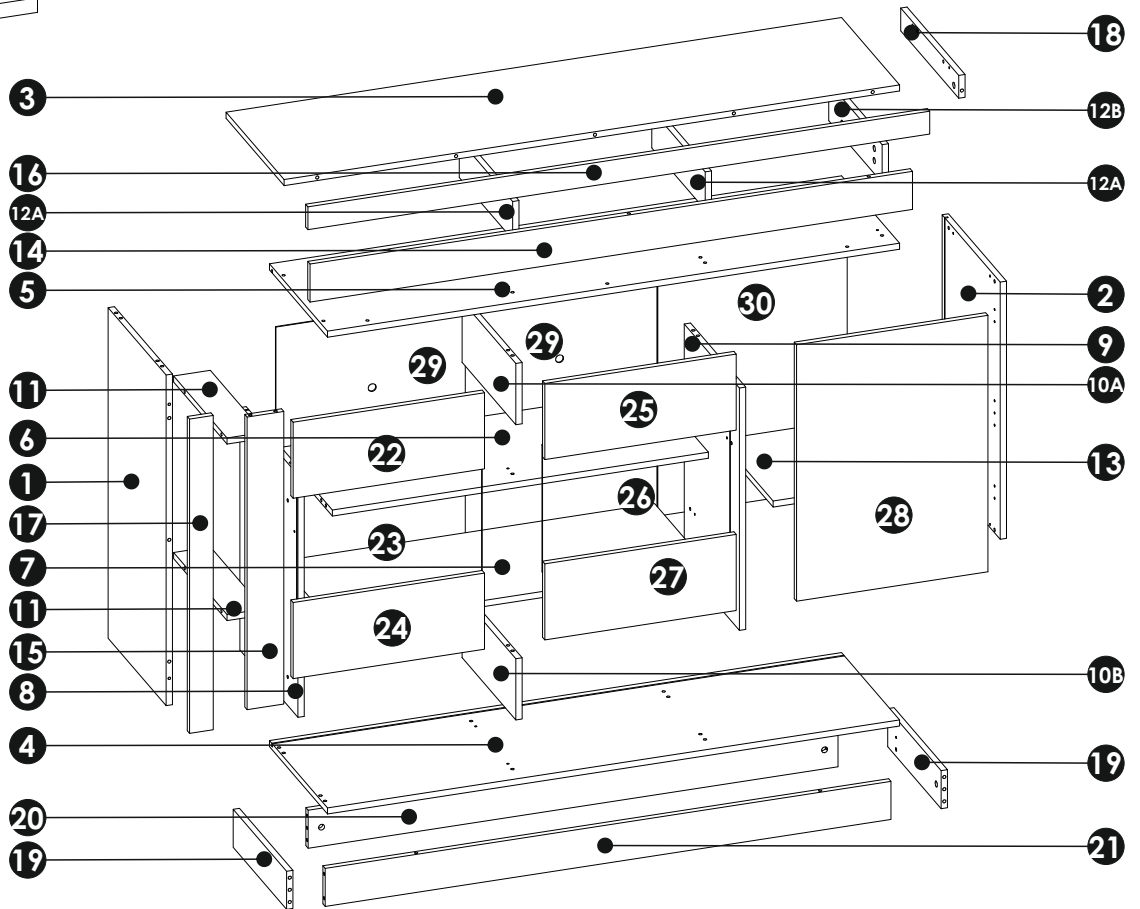
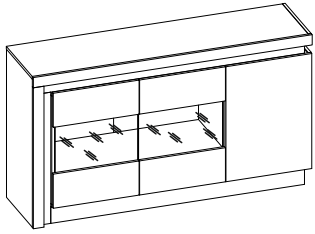
30

20

10

0

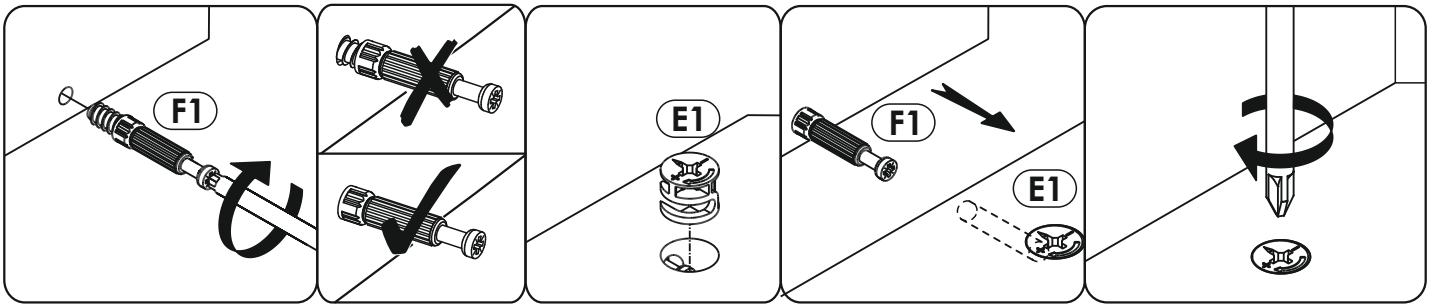
A1	8 x 35 mm	x53	A2	8 x 45 mm	x2	A3	8 x 60 mm	x4
BC11		x4	B0		x6	BC13		x2
C1	4 x 13 mm	x12	D2		x4	E0		x52
E1	15 x 12 mm	x64	F1	6 x 34 mm	x52	F3	7 x 58 mm	x2
F4	7 x 76 mm	x4	G0		x10	G1	7 x 50 mm	x10
I2	4 x 16 mm	x14	L				x1	
M		x1	N1	3 X 16 mm	x10	N2	3,5 X 16 mm	x20
O2		x10	P15		x2	Q9		x2
R1		x8	R3		x12	R4		x14
S13		x2	W		x10			
Z		x1						



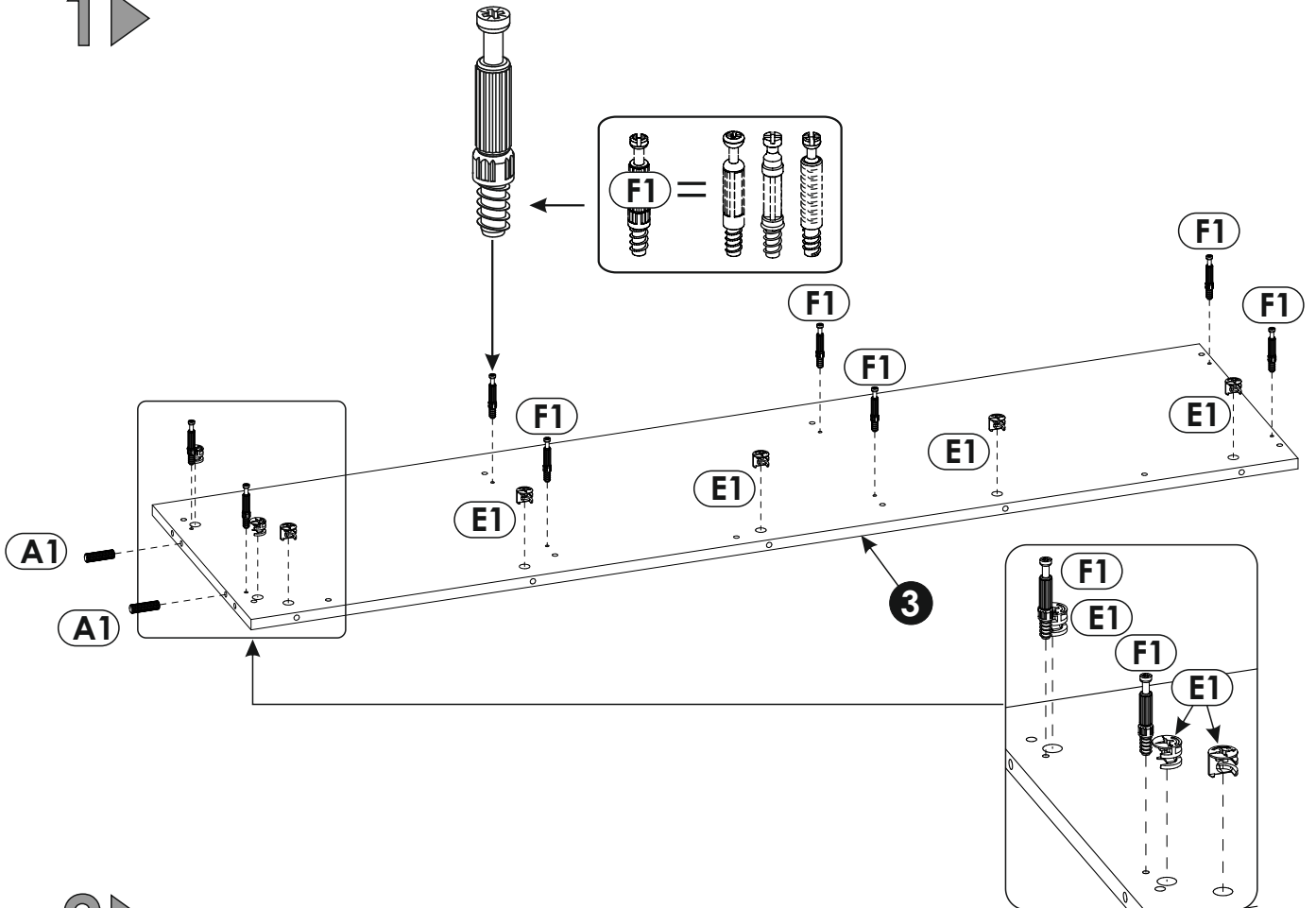
1	869	404	16 x1	1/3
2	676	404	16 x1	1/3
3	1560	404	16 x1	3/3
4	1450	404	16 x1	3/3
5	1450	404	16 x1	3/3
6	953	374	16 x1	1/3
7	953	374	16 x1	1/3
8	637	404	16 x1	1/3
9	637	384	16 x1	1/3
10A 10B	161	374	16 x2	2/3

11	372	93	16 x2	1/3
12A 12B	372	100	16 x3	1/3
13	465	369	16 x1	1/3
14	1527	100	16 x1	3/3
15	769	93	16 x1	3/3
16	1576	60	16 x1	3/3
17	826	60	16 x1	3/3
18	404	60	16 x1	3/3
19	372	100	16 x2	2/3
20	1343	100	16 x1	3/3

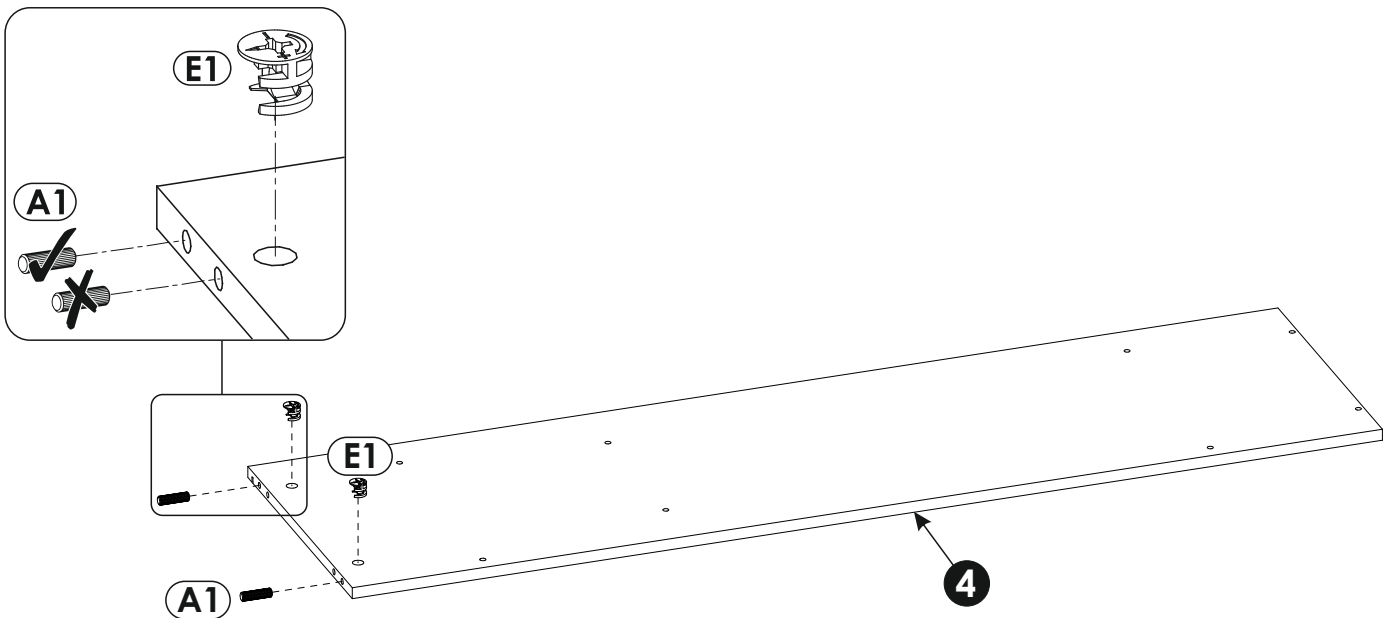
21	1434	100	16 x1	3/3
22	485	200	16 x1	2/3
23	469	334	4 x1	1/3
24	485	200	16 x1	2/3
25	485	200	16 x1	2/3
26	476	334	4 x1	1/3
27	485	200	16 x1	2/3
28	485	674	16 x1	2/3
29	651	966	3 x1	2/3
30	651	480	3 x1	2/3



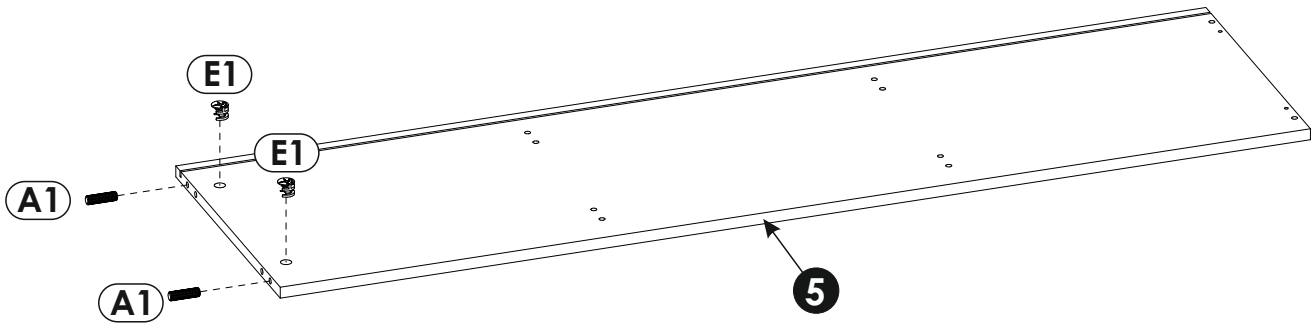
1 ▶



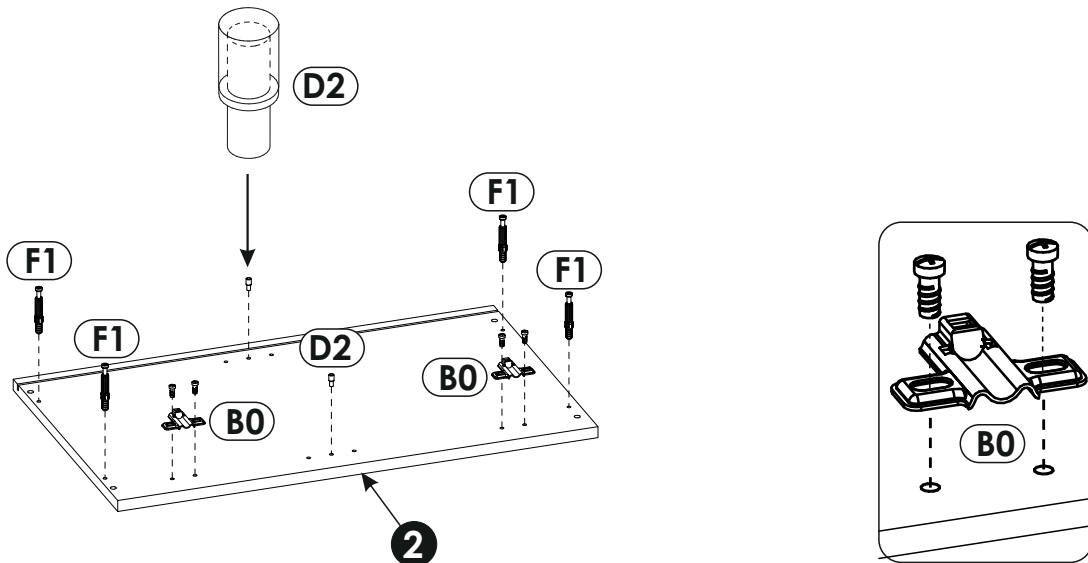
2 ▶



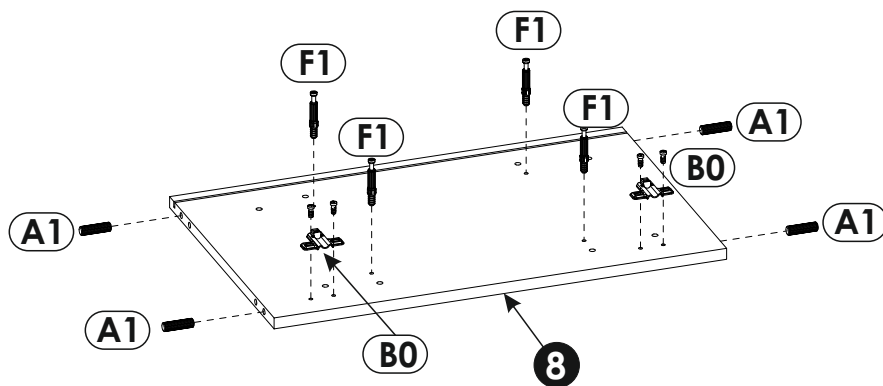
3 ▶



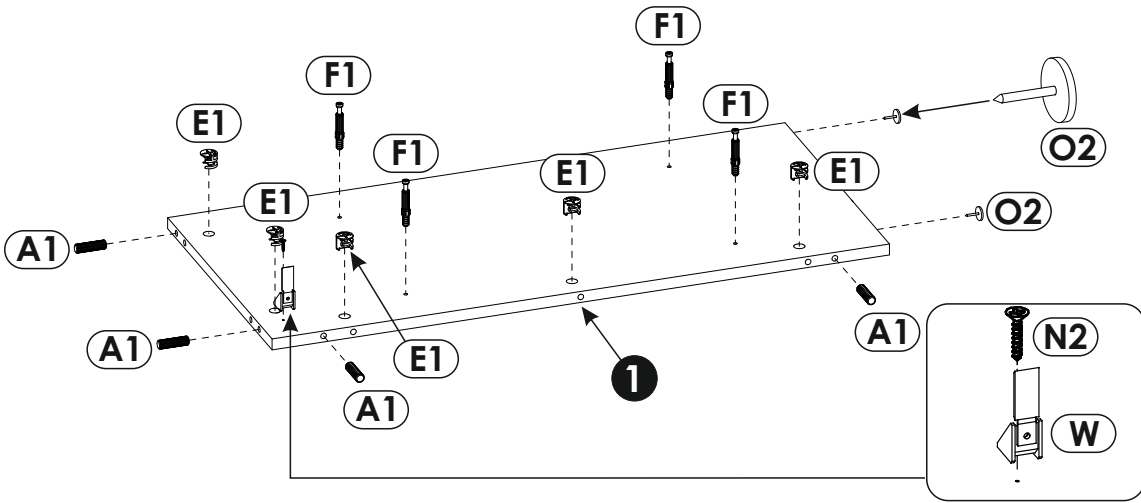
4 ▶



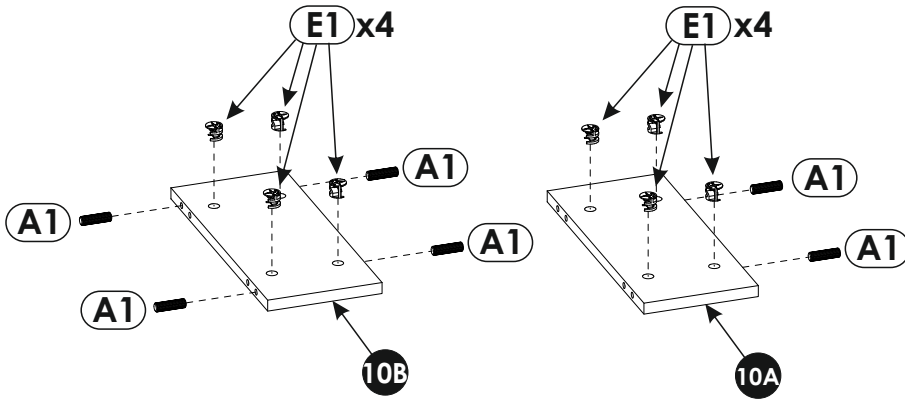
5 ▶



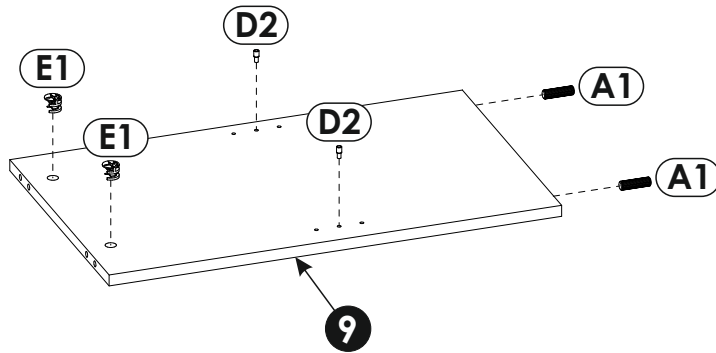
6 ▶



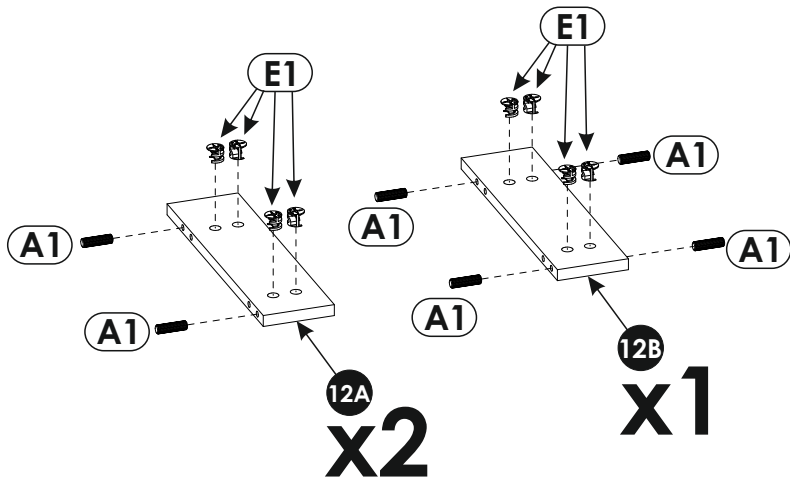
7 ▶



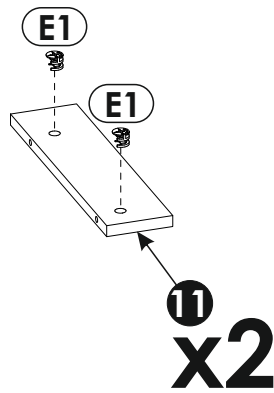
8 ▶



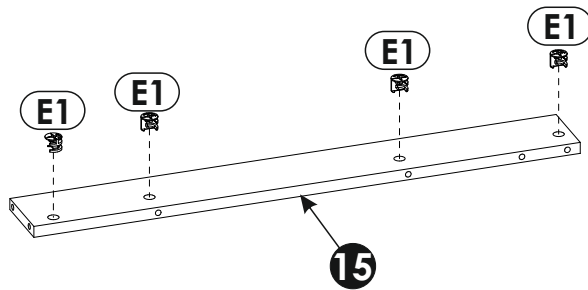
9 ▶



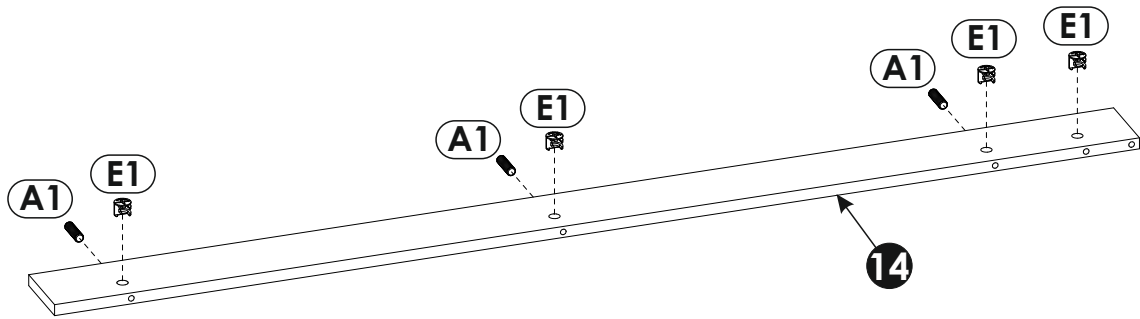
10 ▶



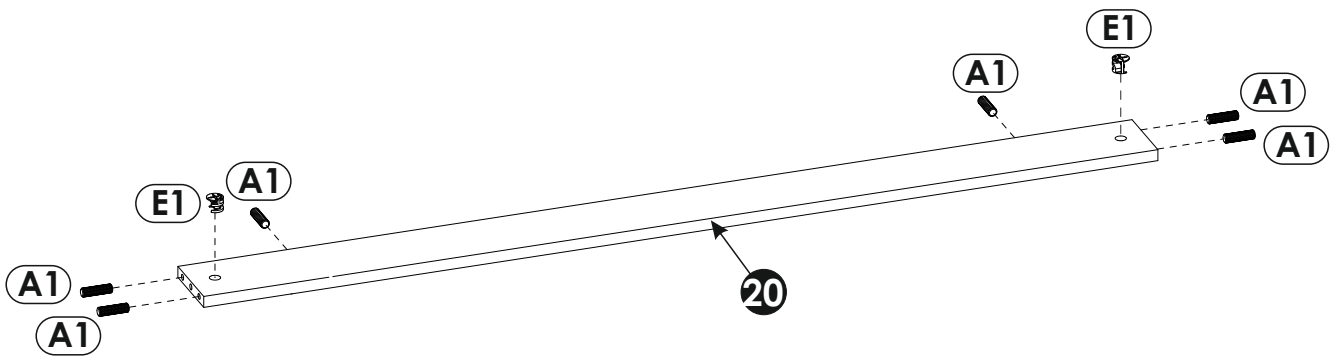
11 ▶



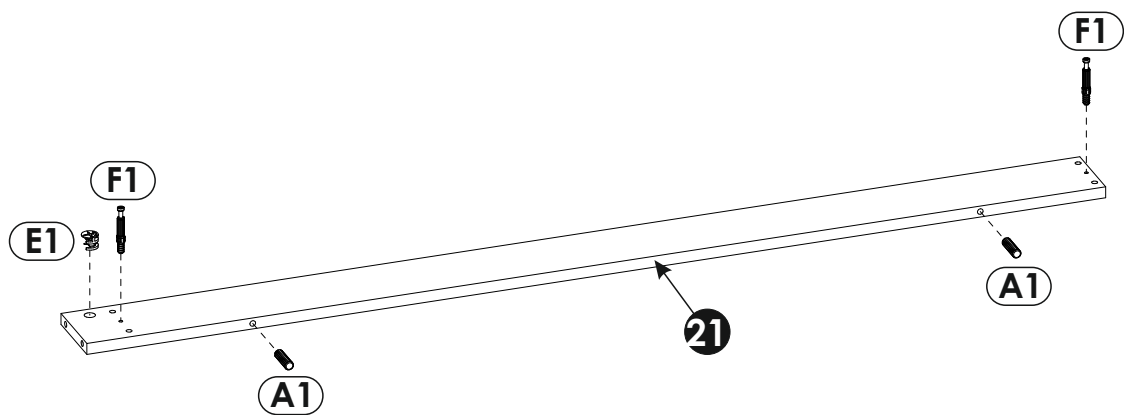
12▶



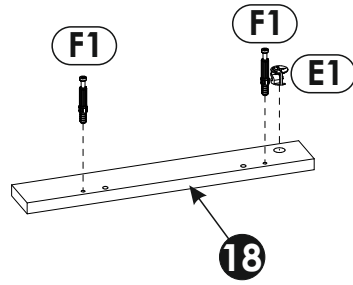
13▶



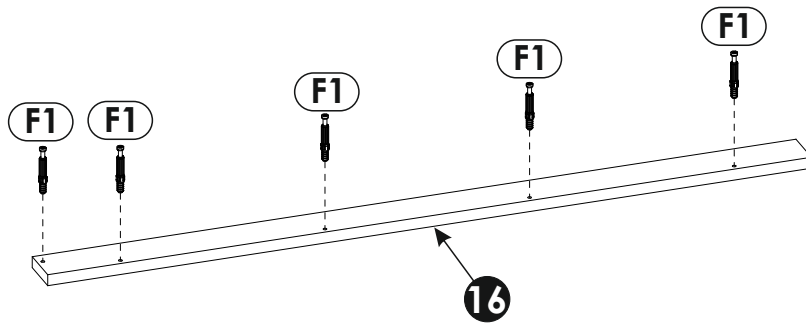
14▶



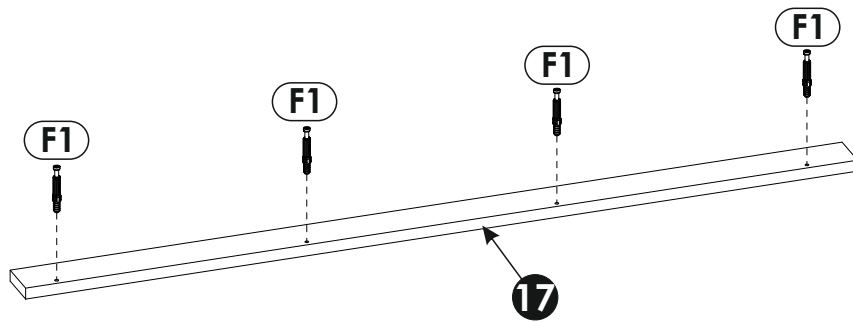
15▶



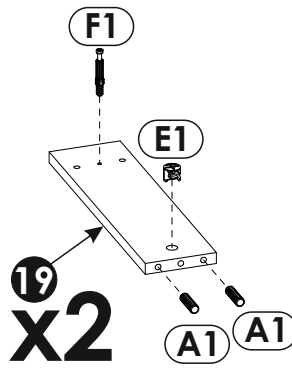
16▶



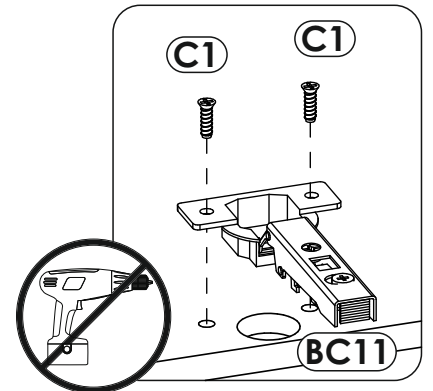
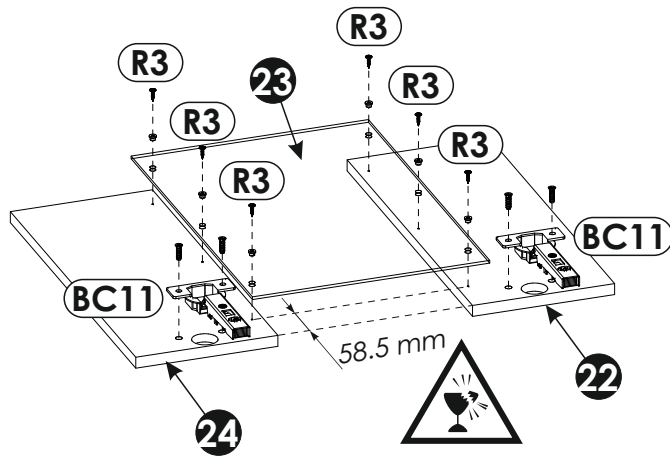
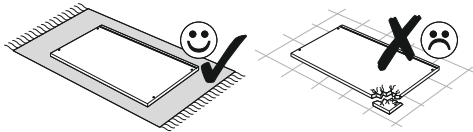
17▶



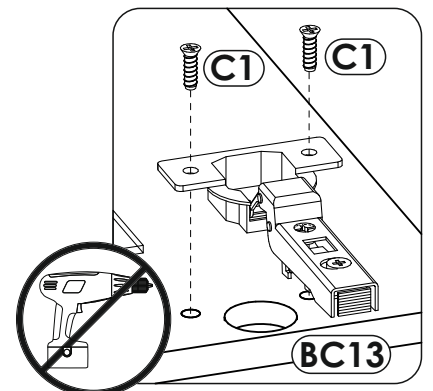
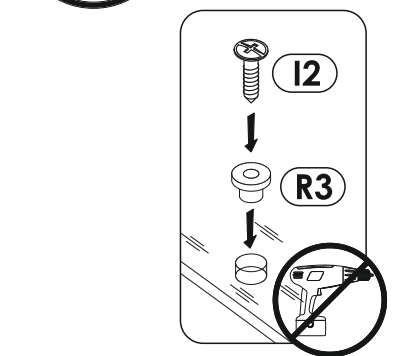
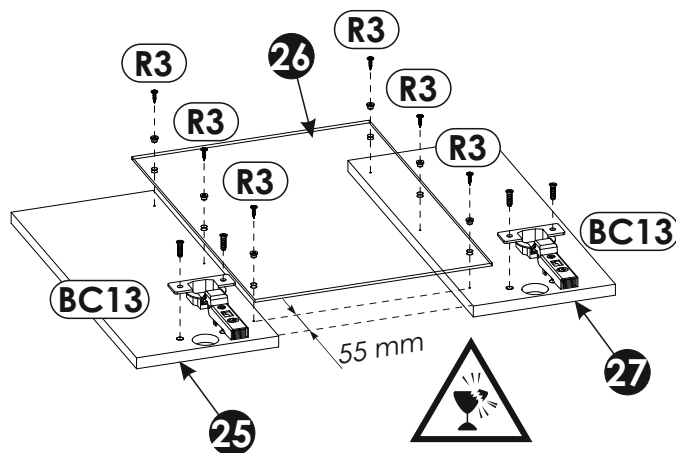
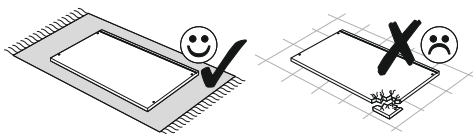
18▶



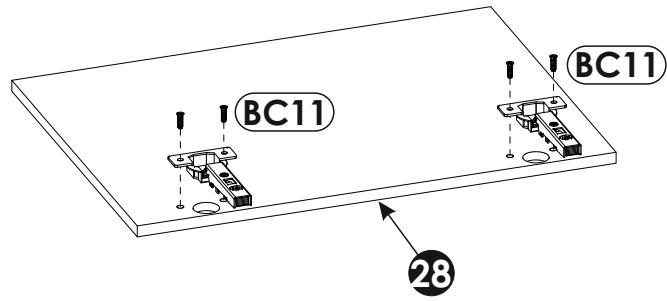
19▶



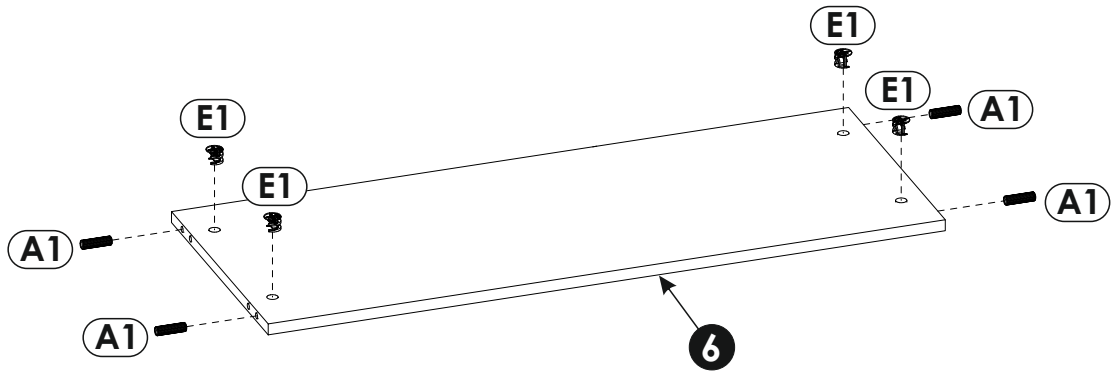
20▶



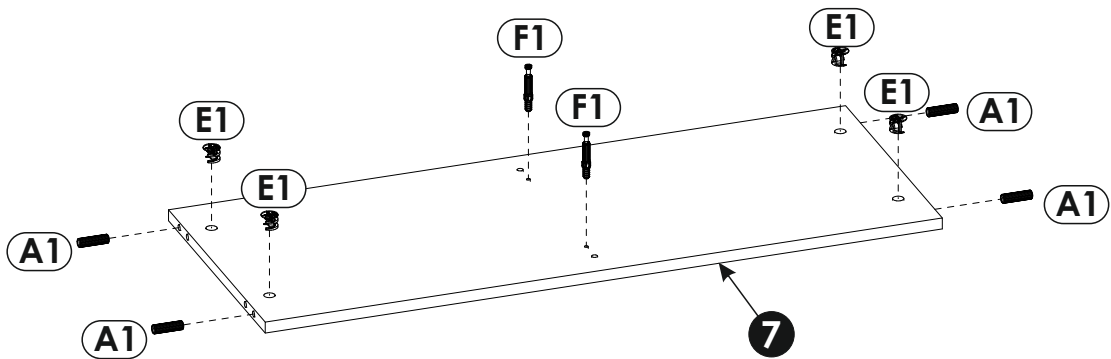
21▶



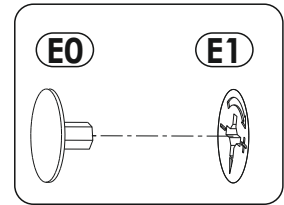
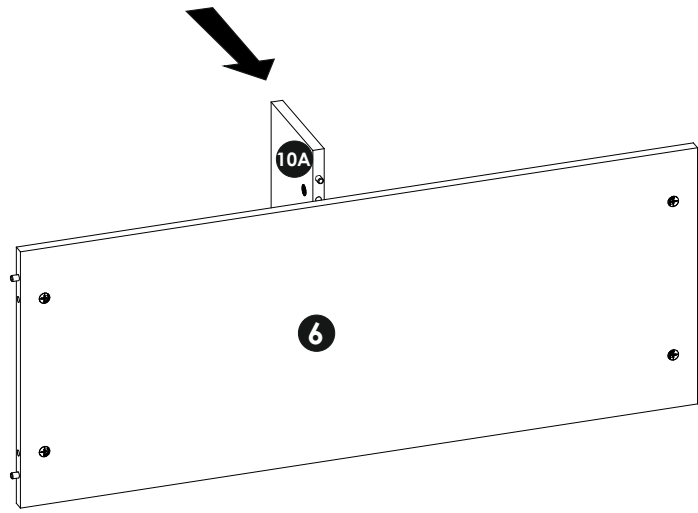
22▶



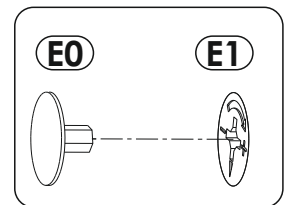
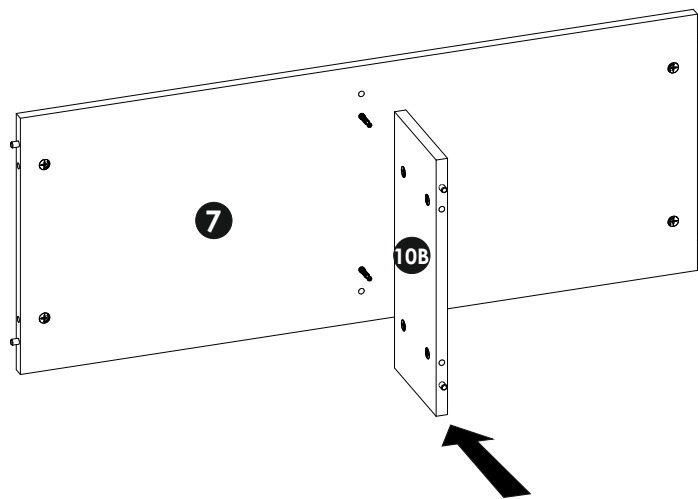
23▶



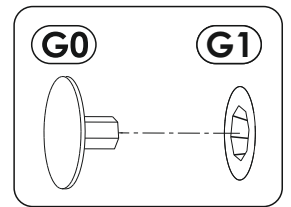
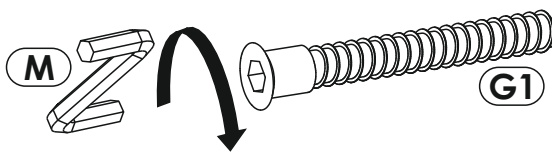
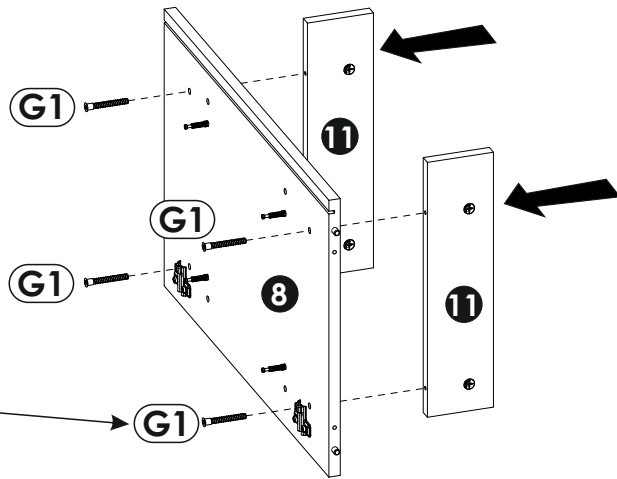
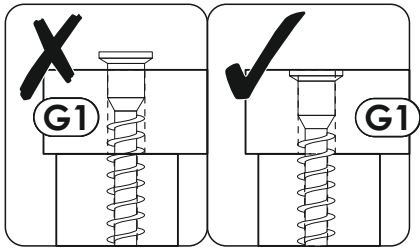
24▶



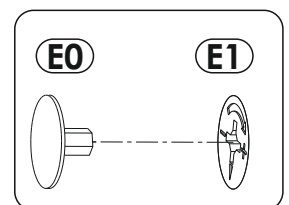
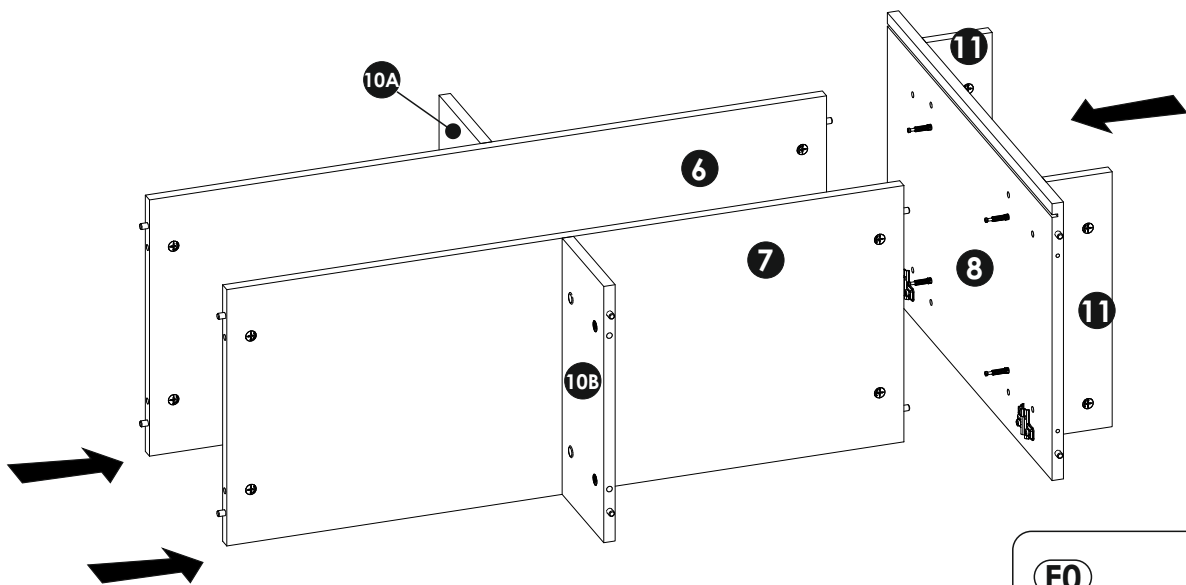
25▶



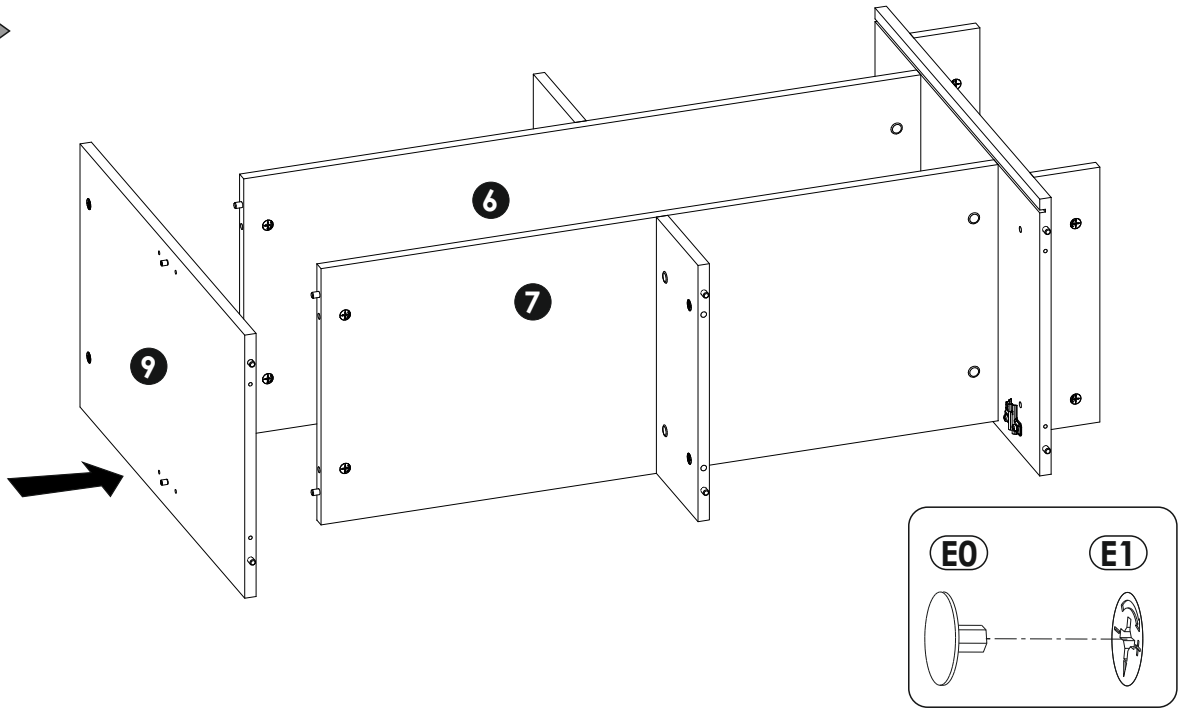
26 ▶



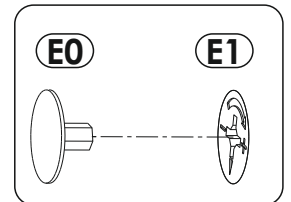
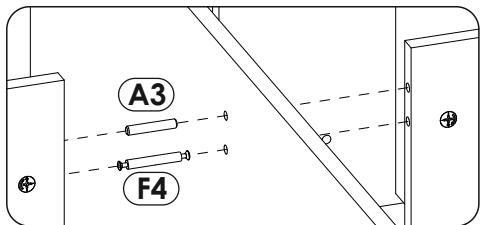
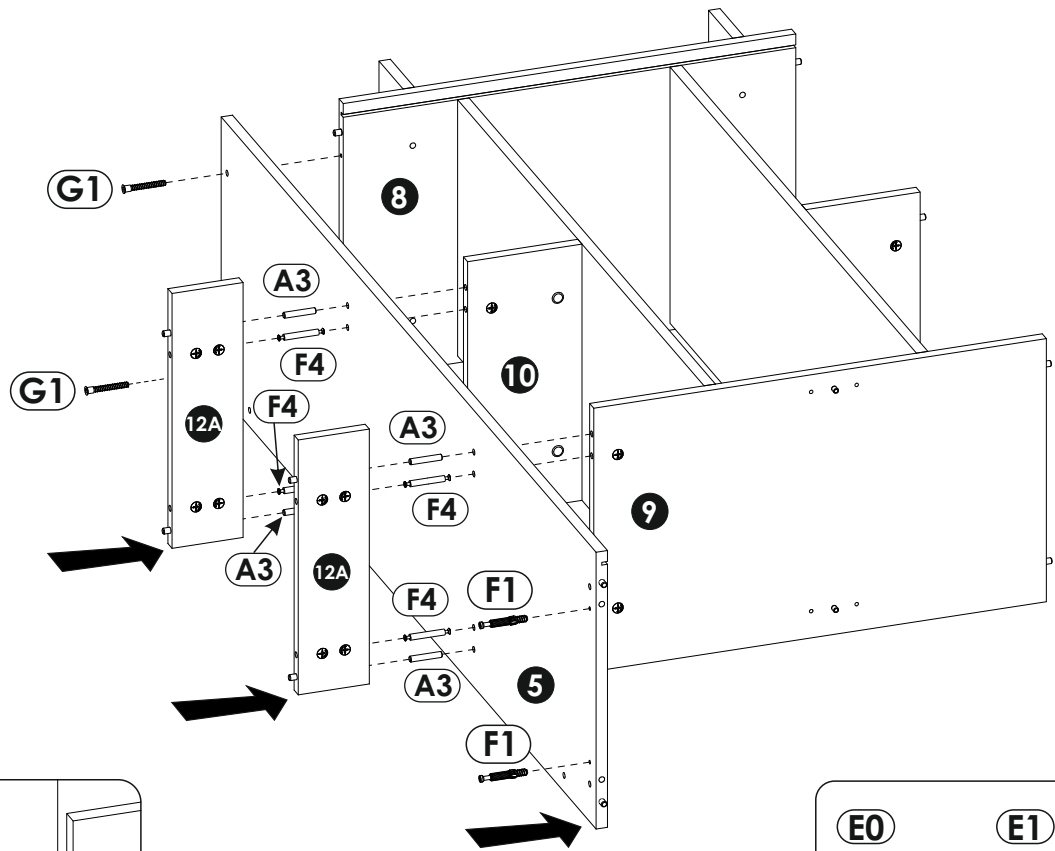
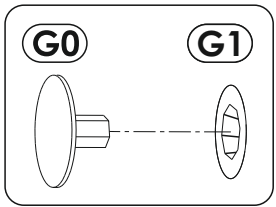
27 ▶



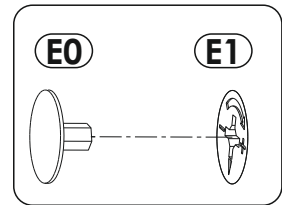
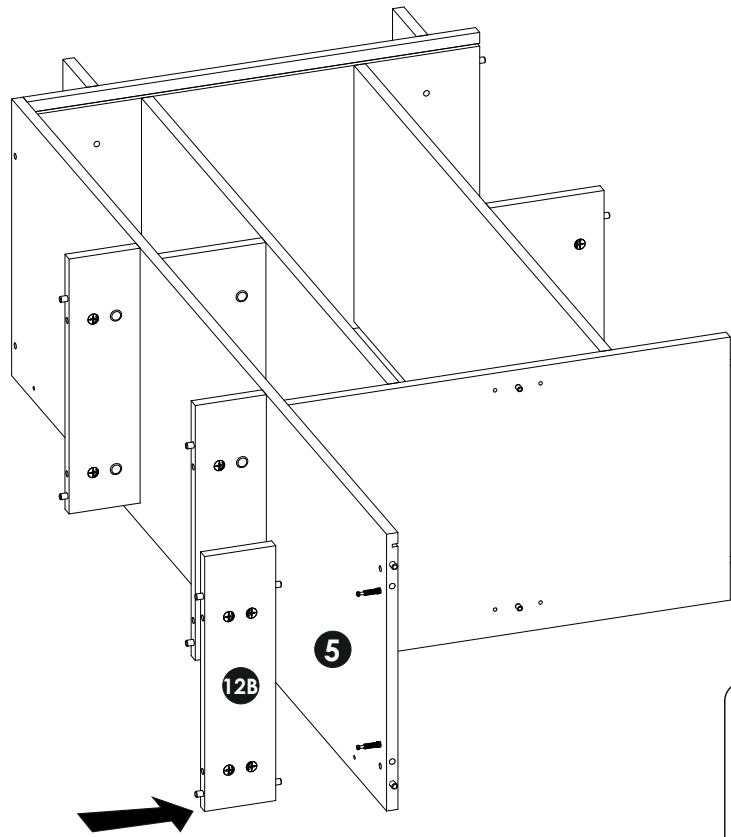
28 ▶



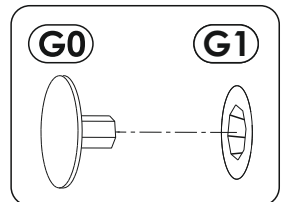
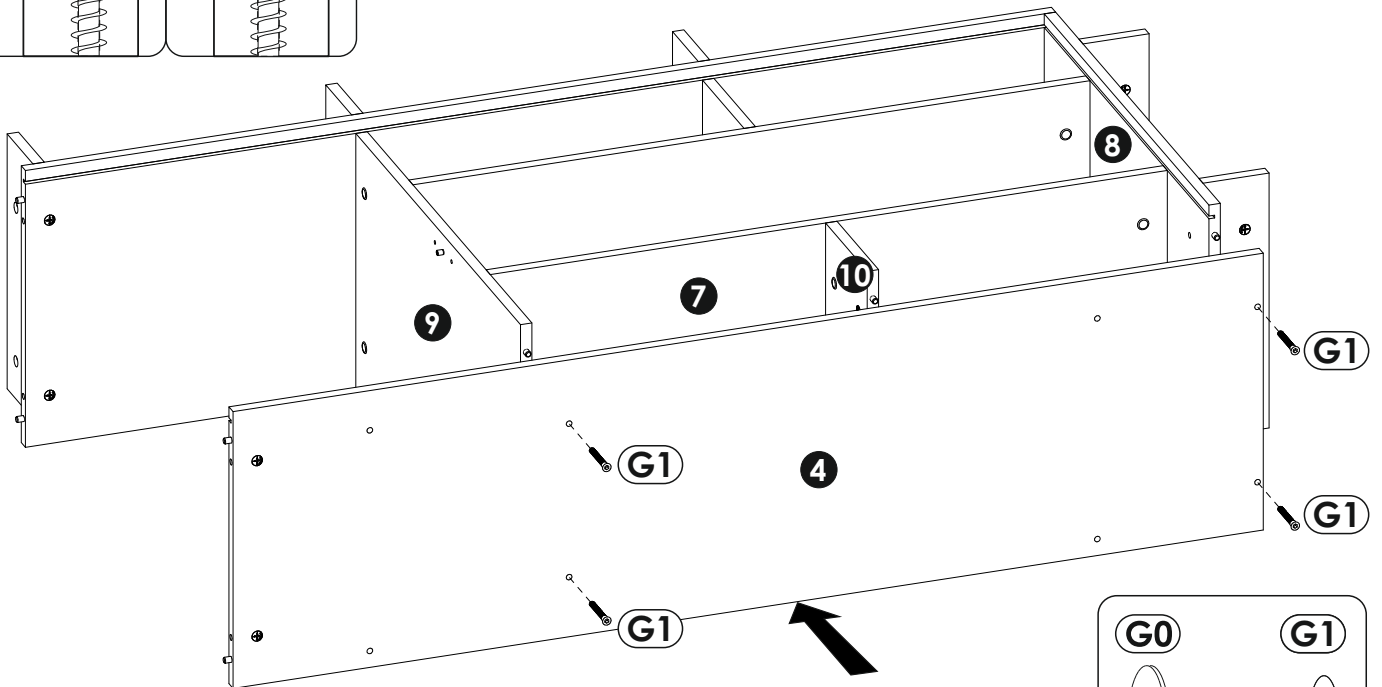
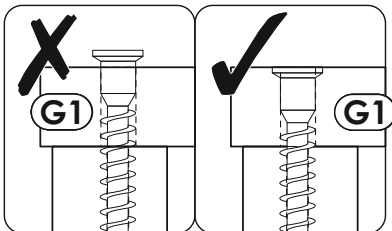
29 ▶



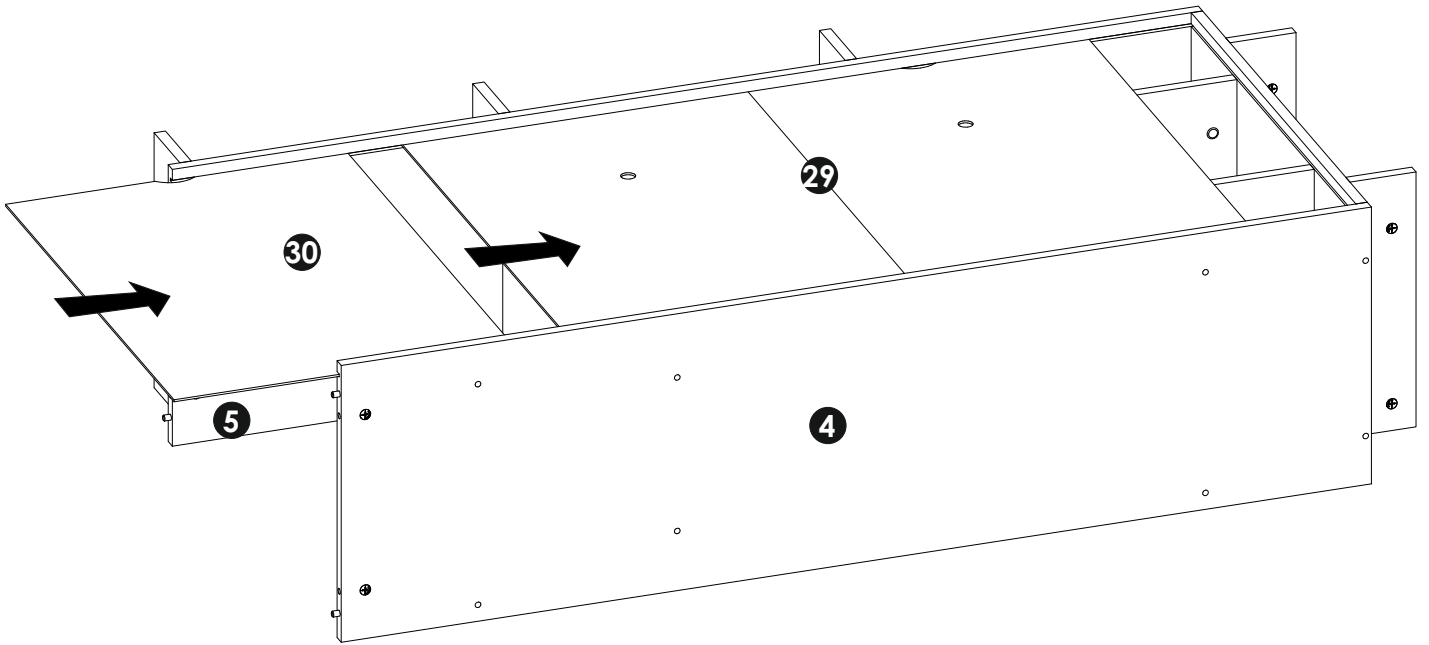
30 ▶



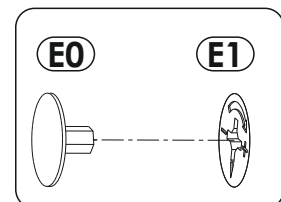
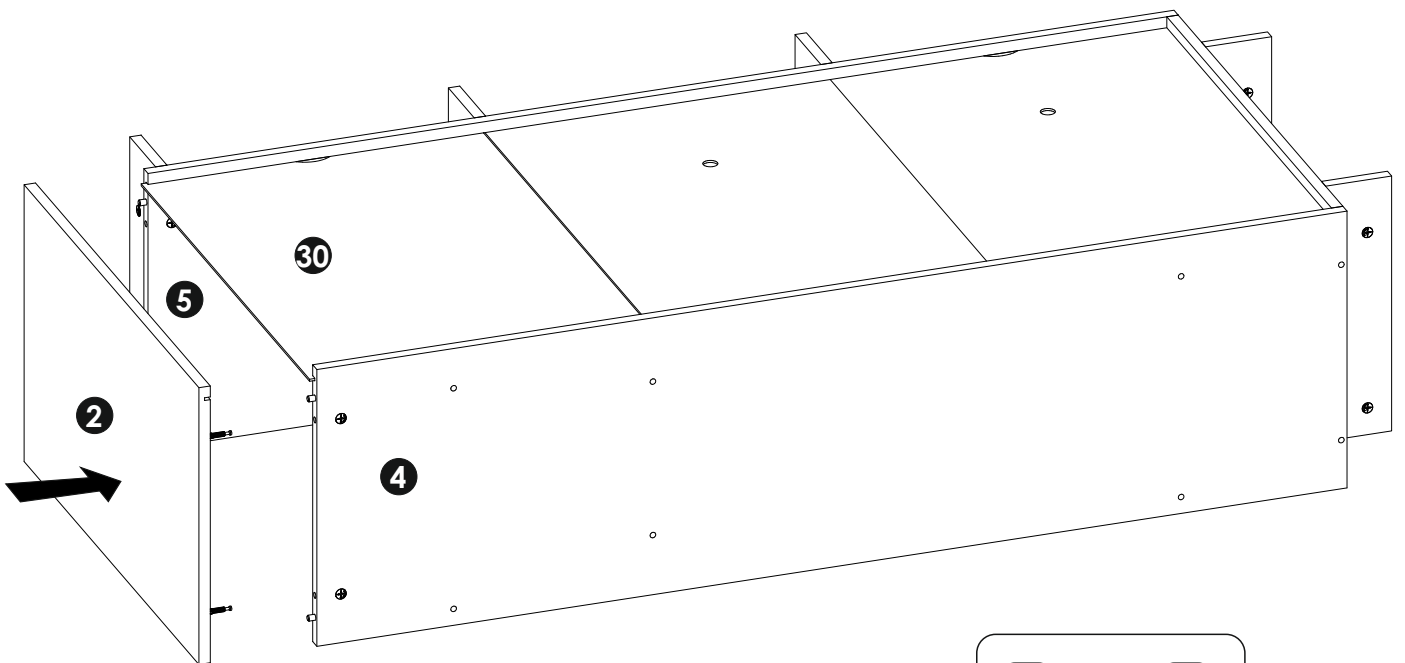
31 ▶

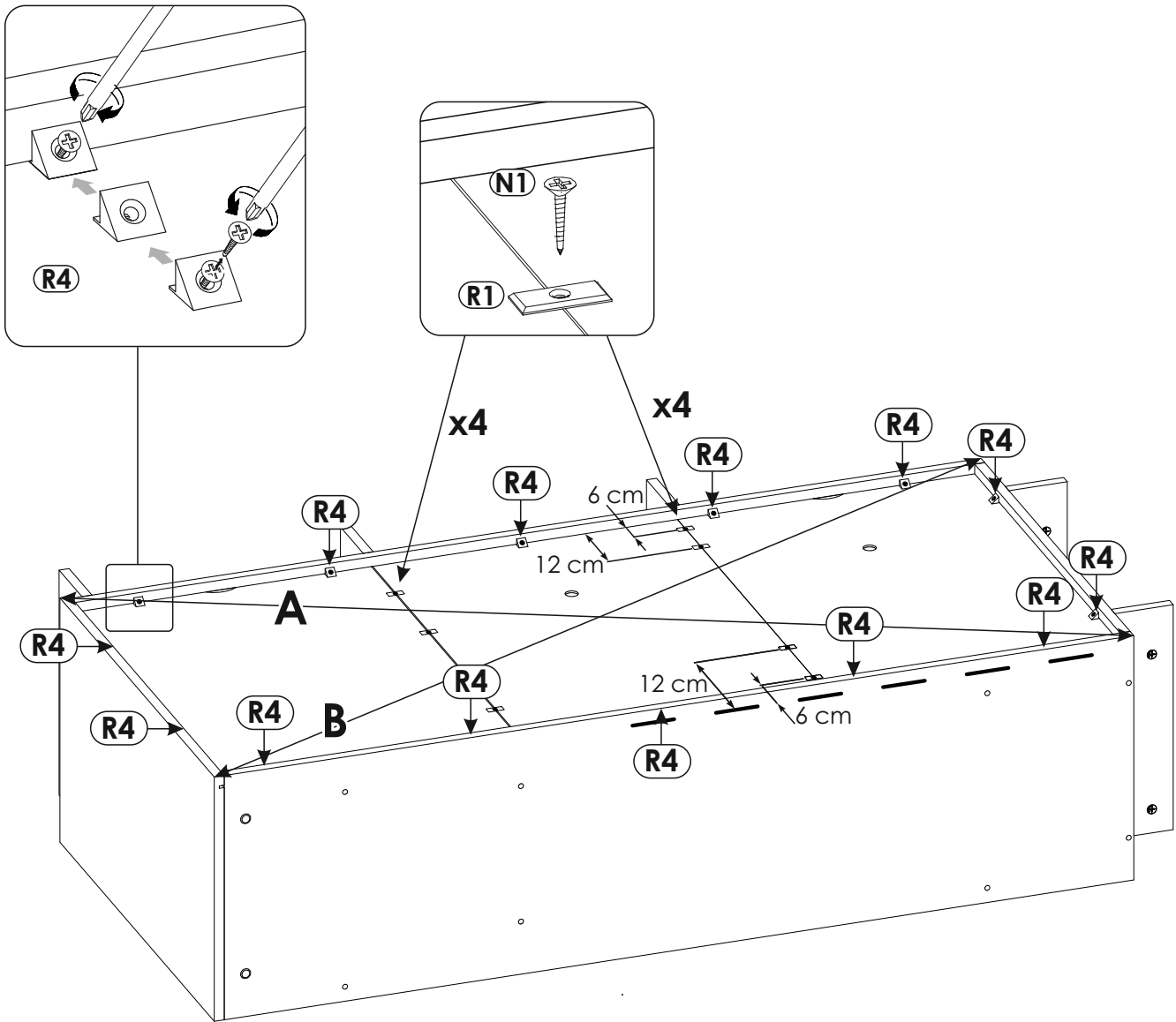


32 ▶

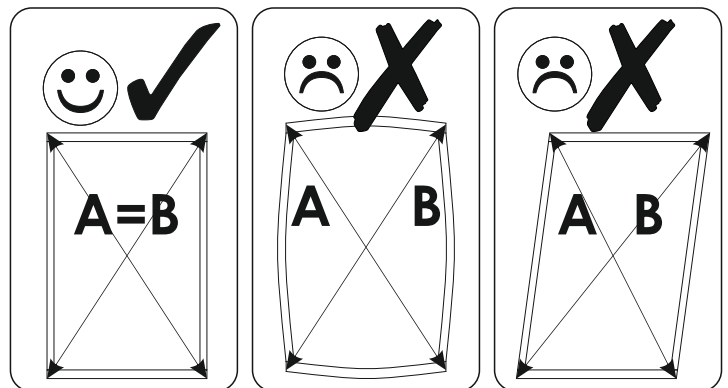


33 ▶

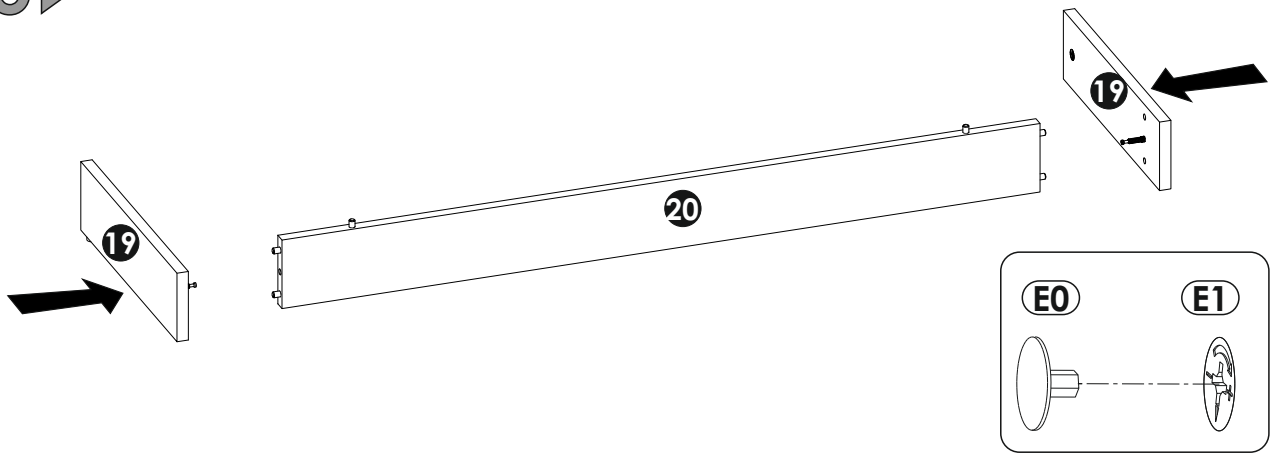




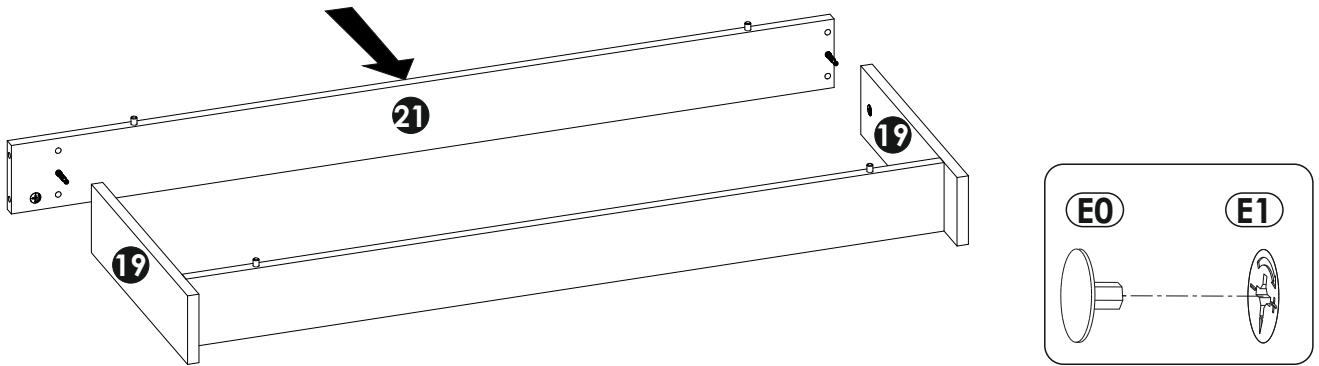
A=B



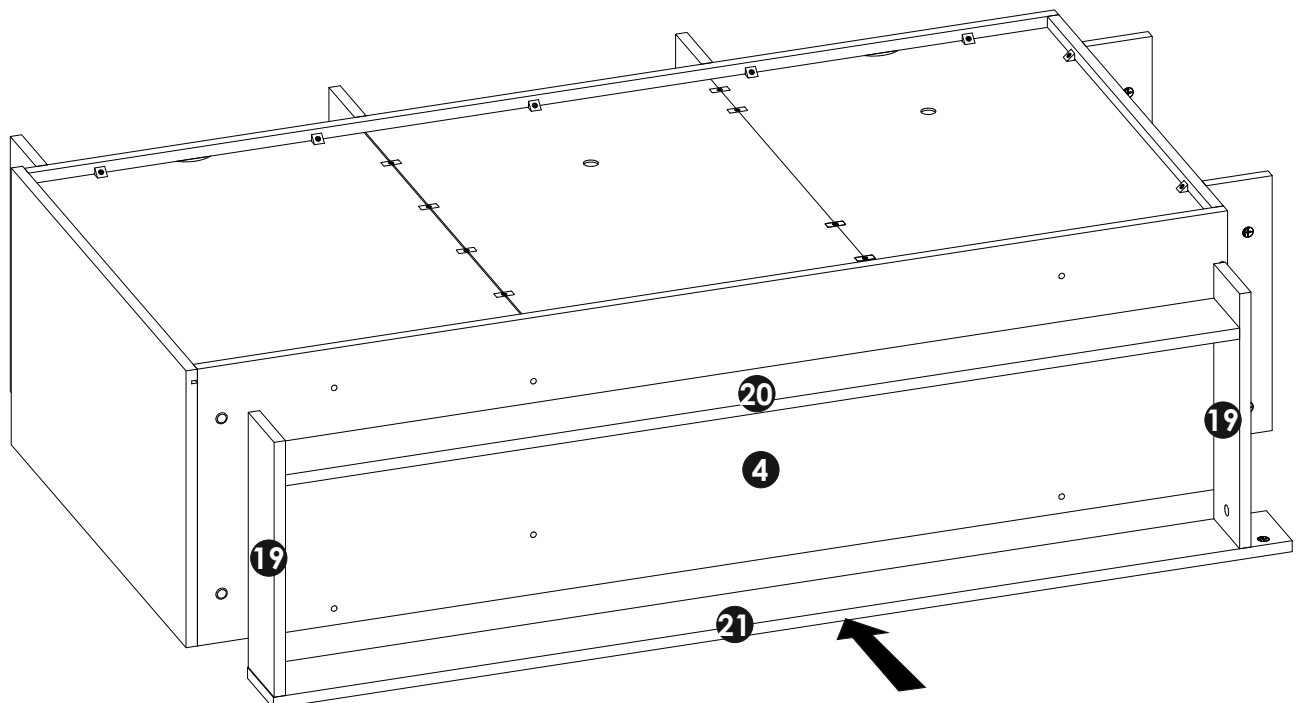
35 ▶

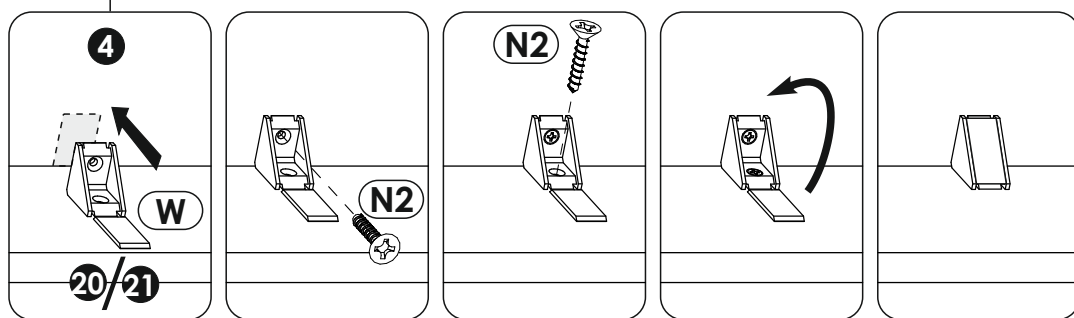
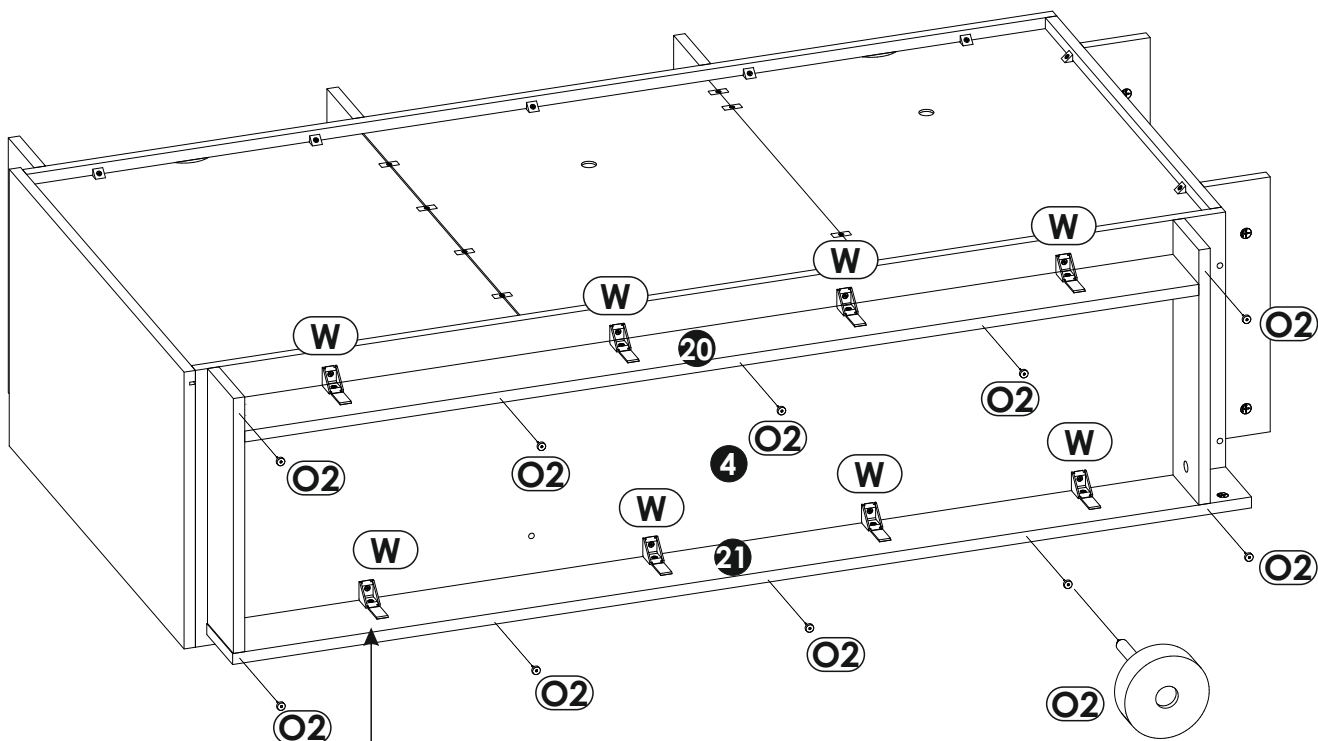


36 ▶

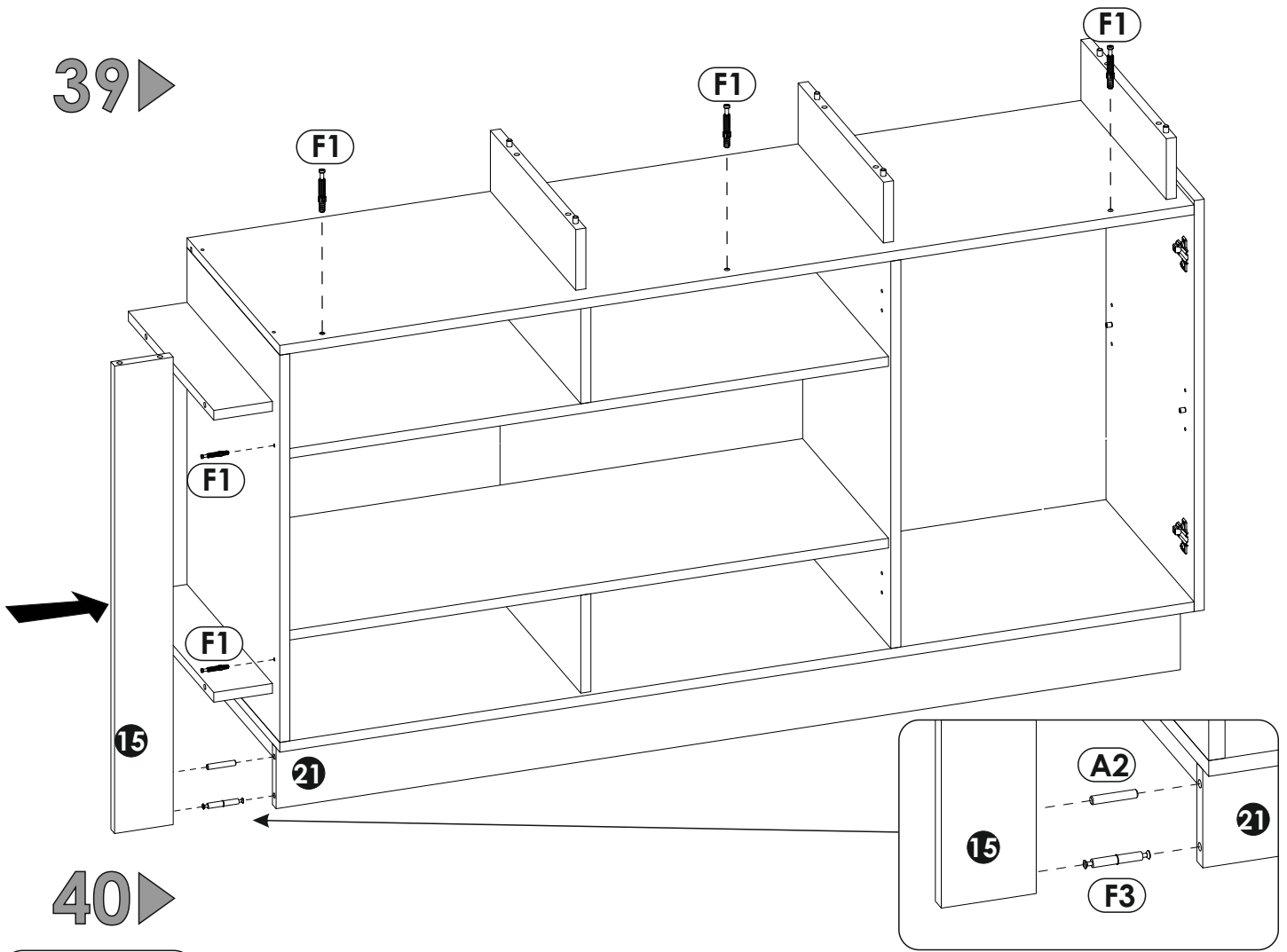


37 ▶

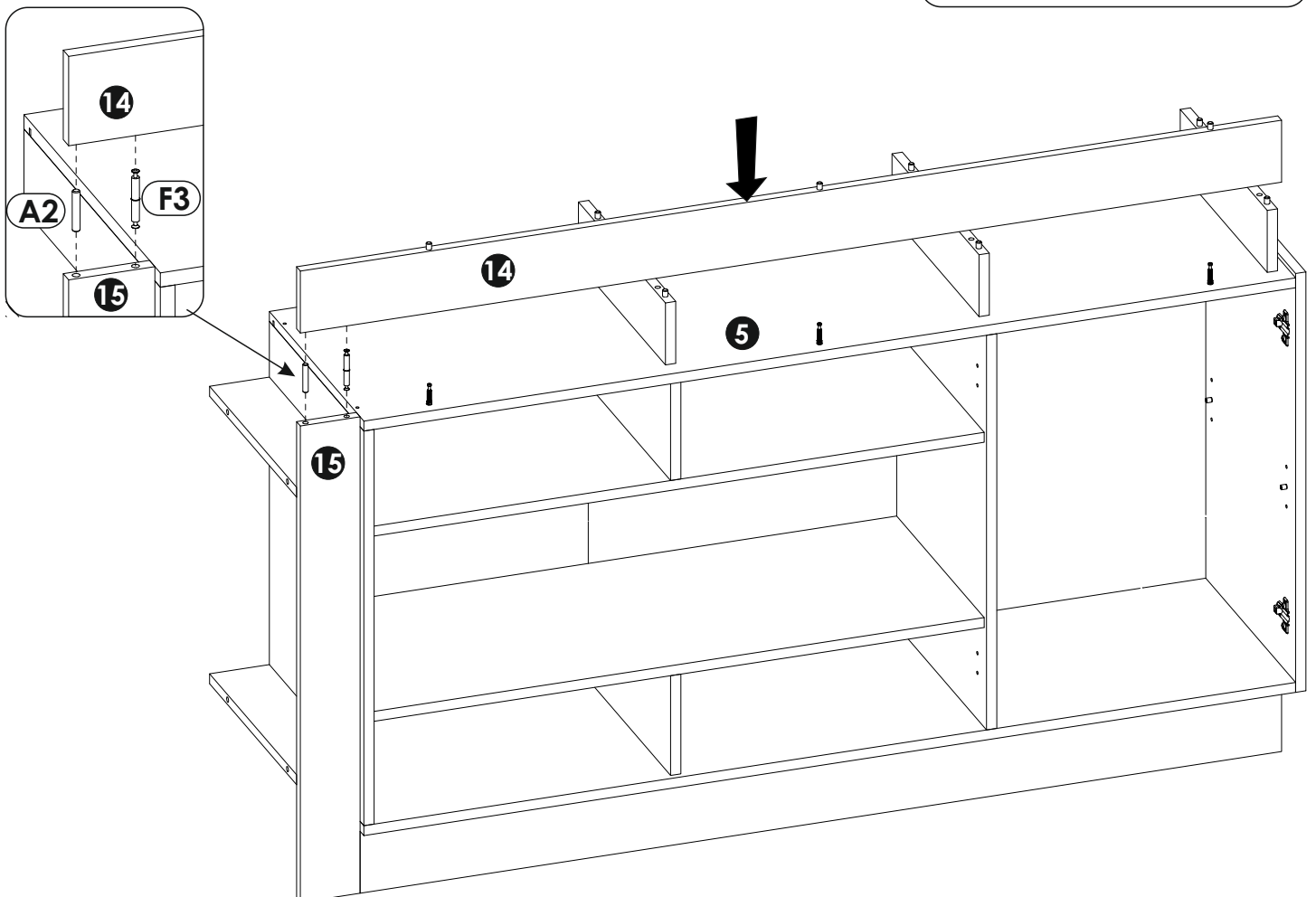




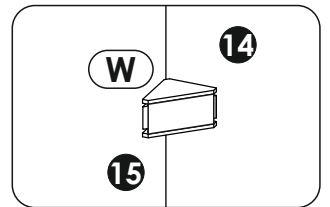
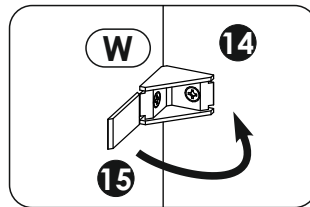
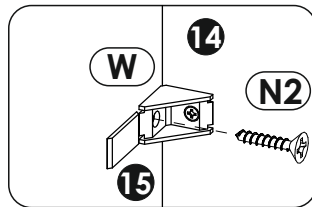
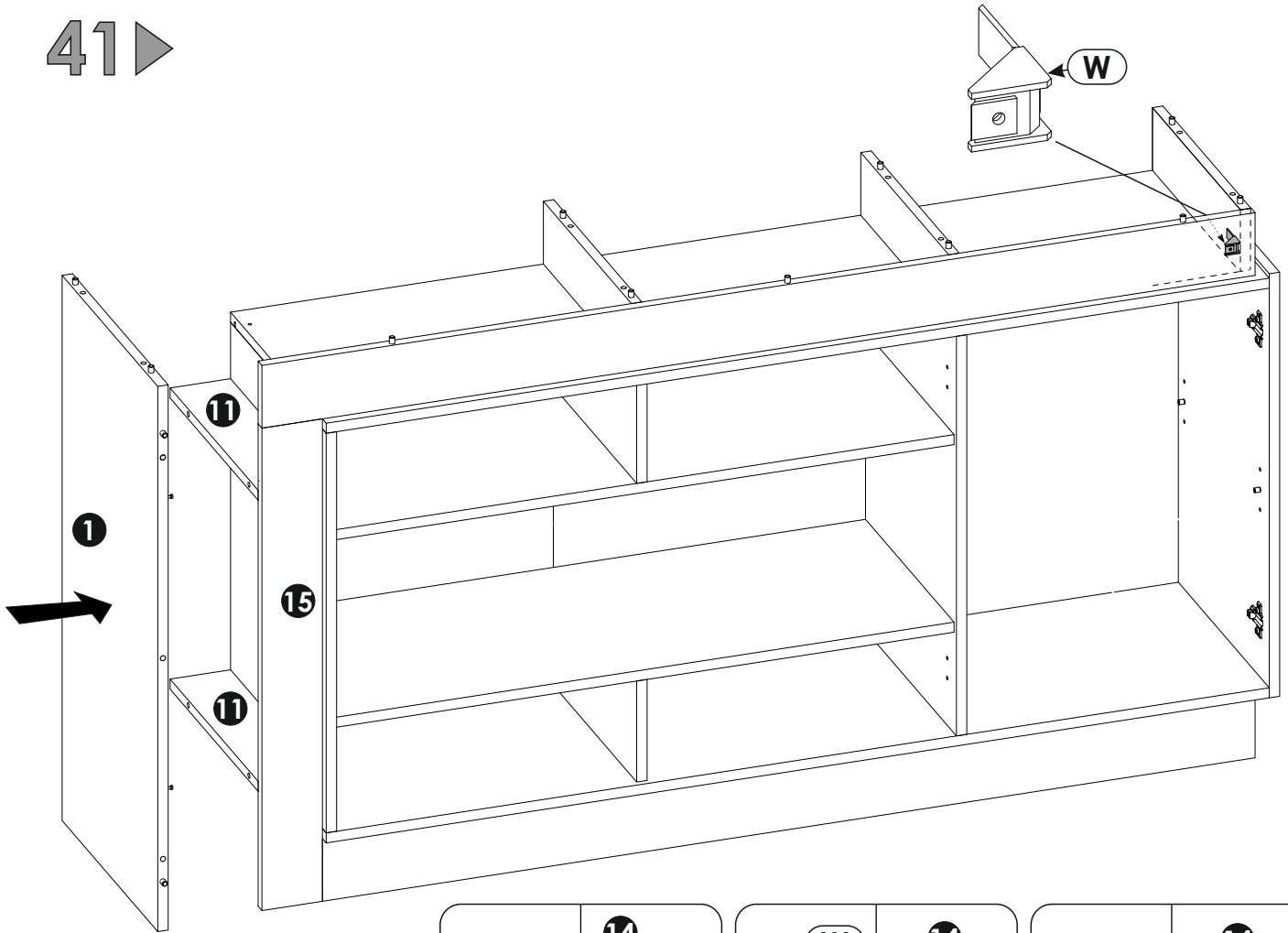
39 ▶



40 ▶

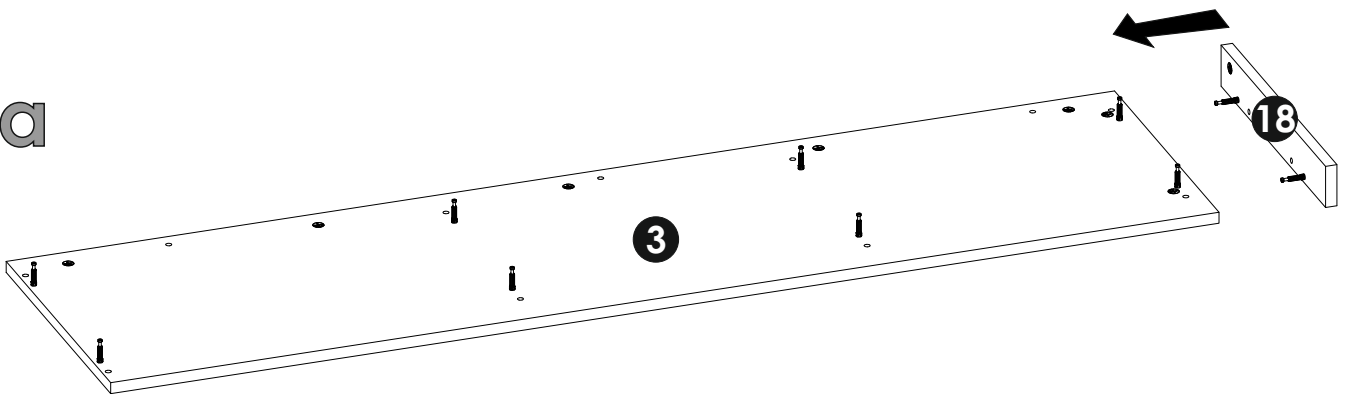


41 ▶

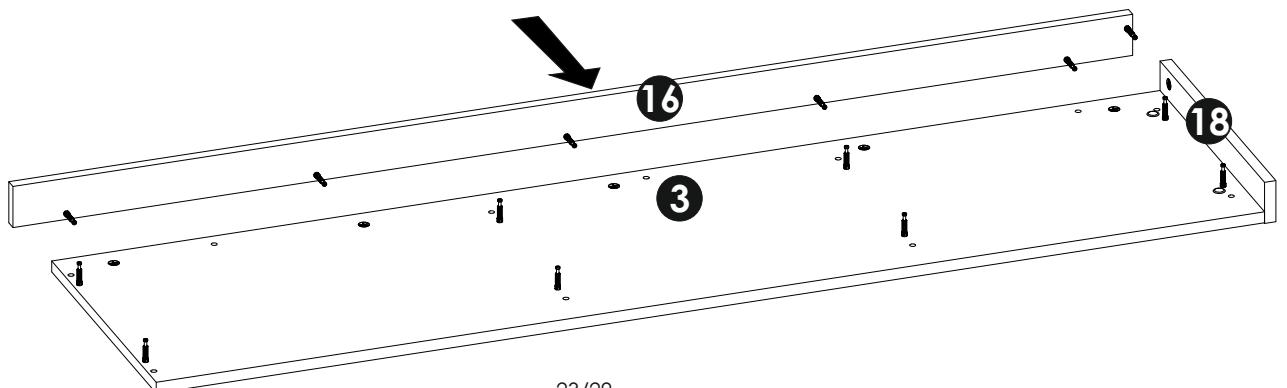


42 ▶

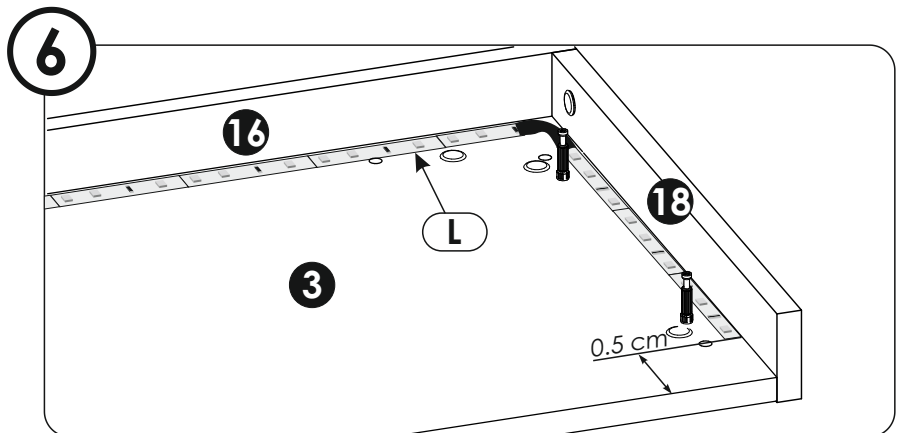
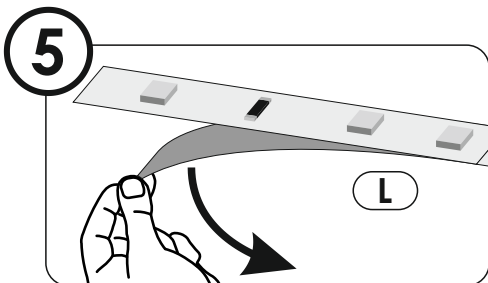
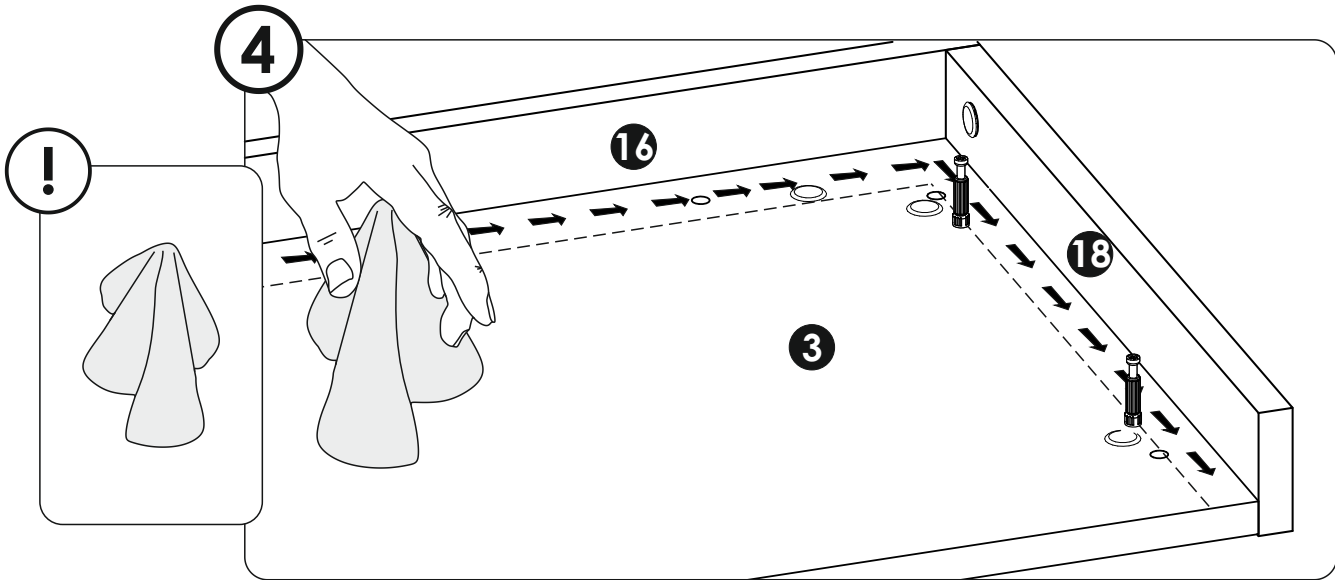
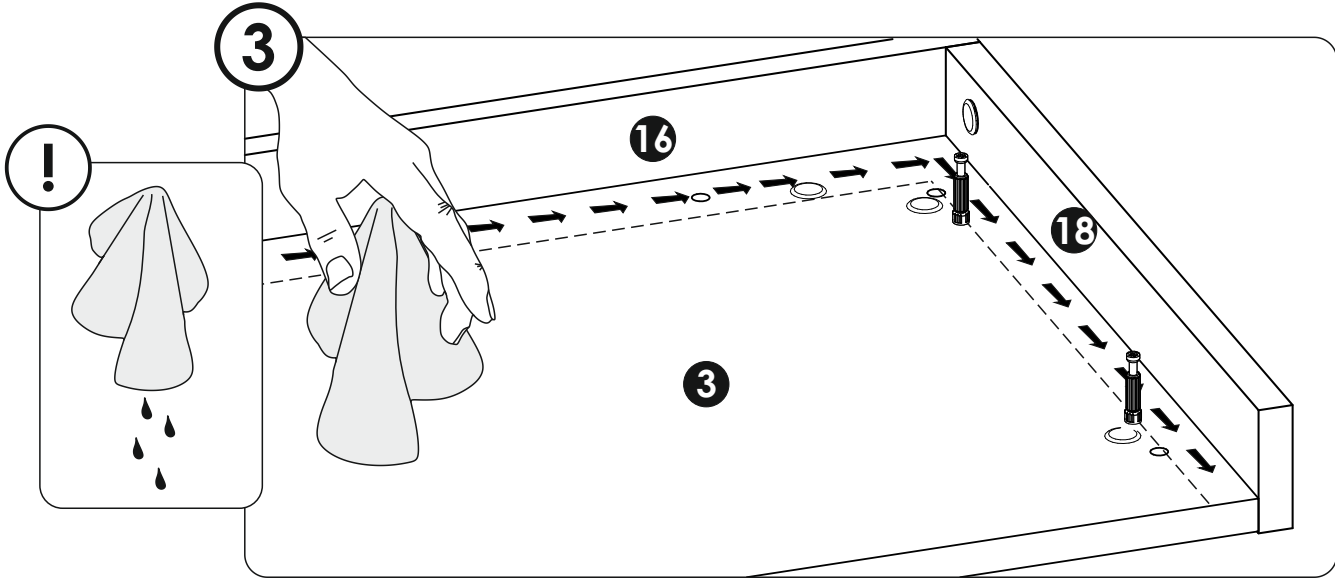
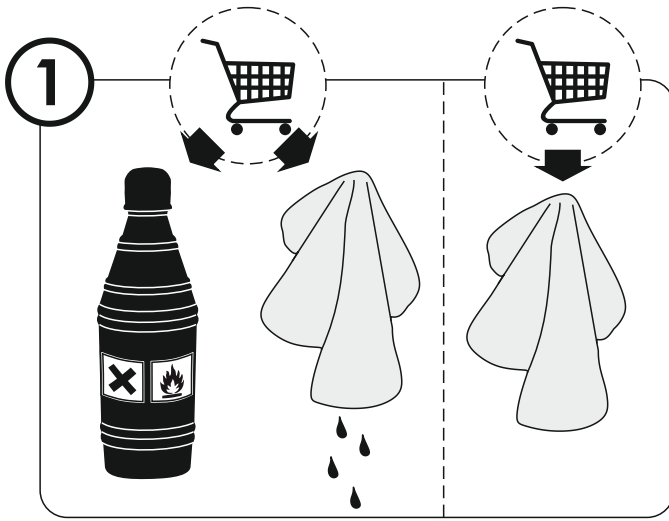
a



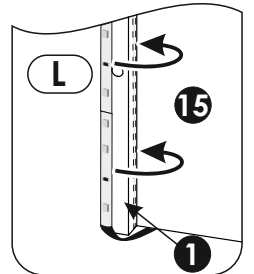
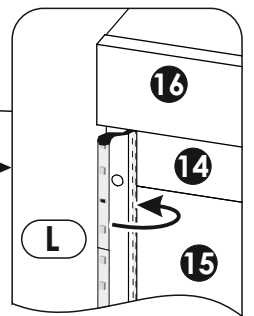
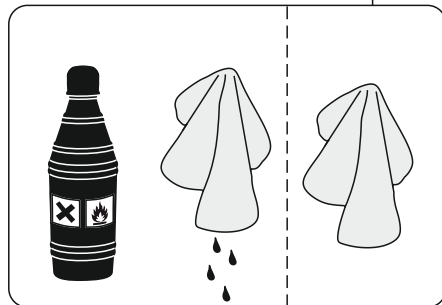
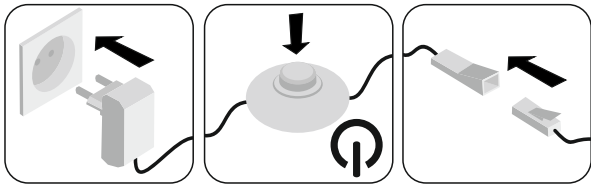
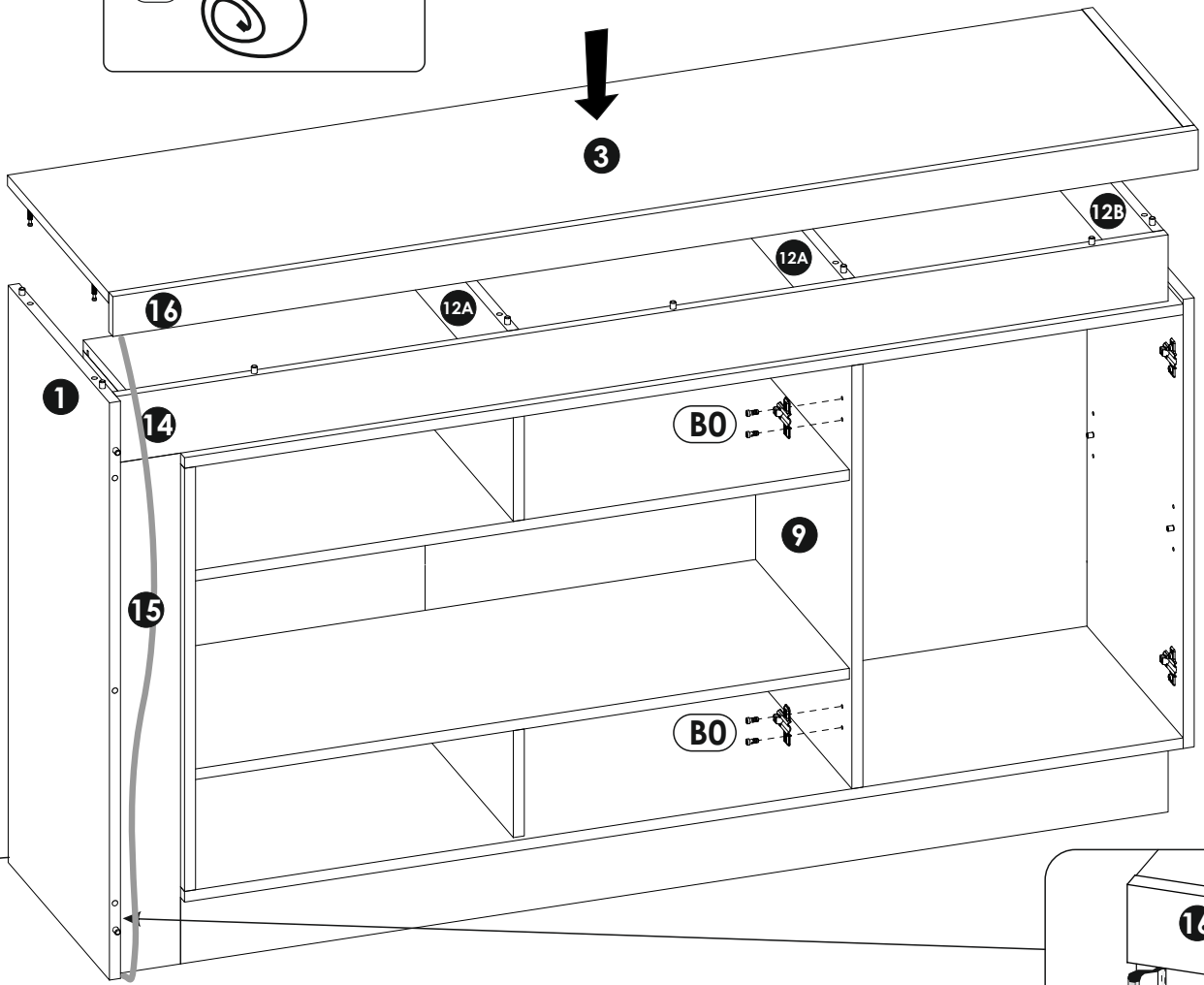
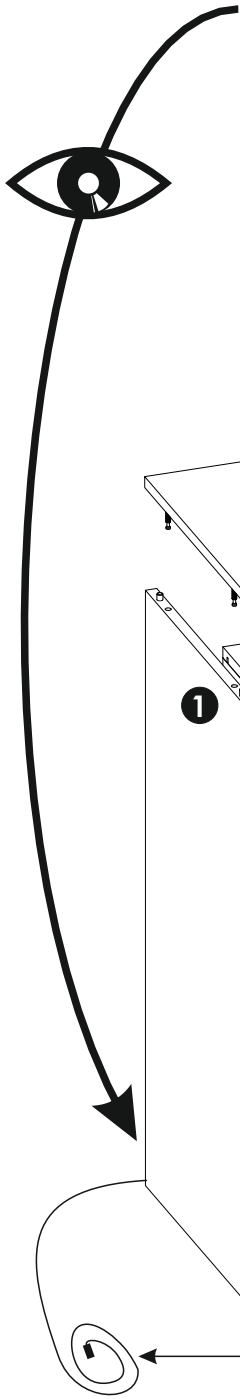
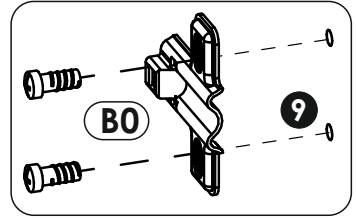
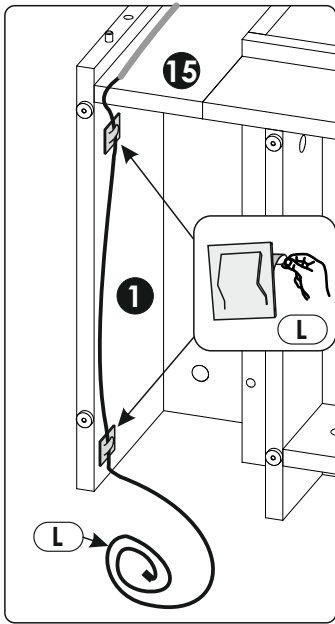
b



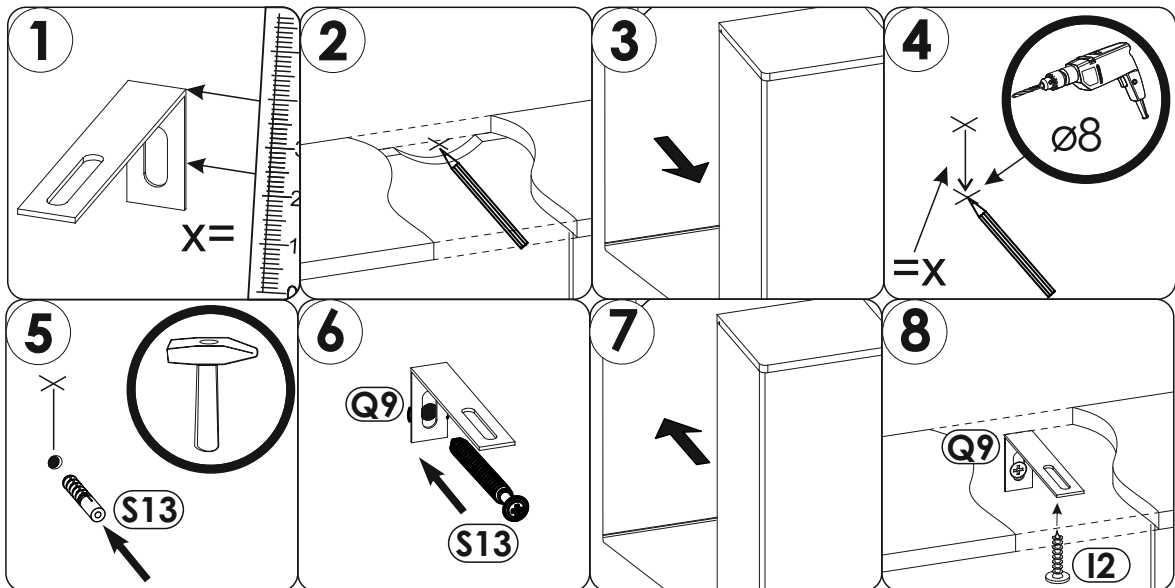
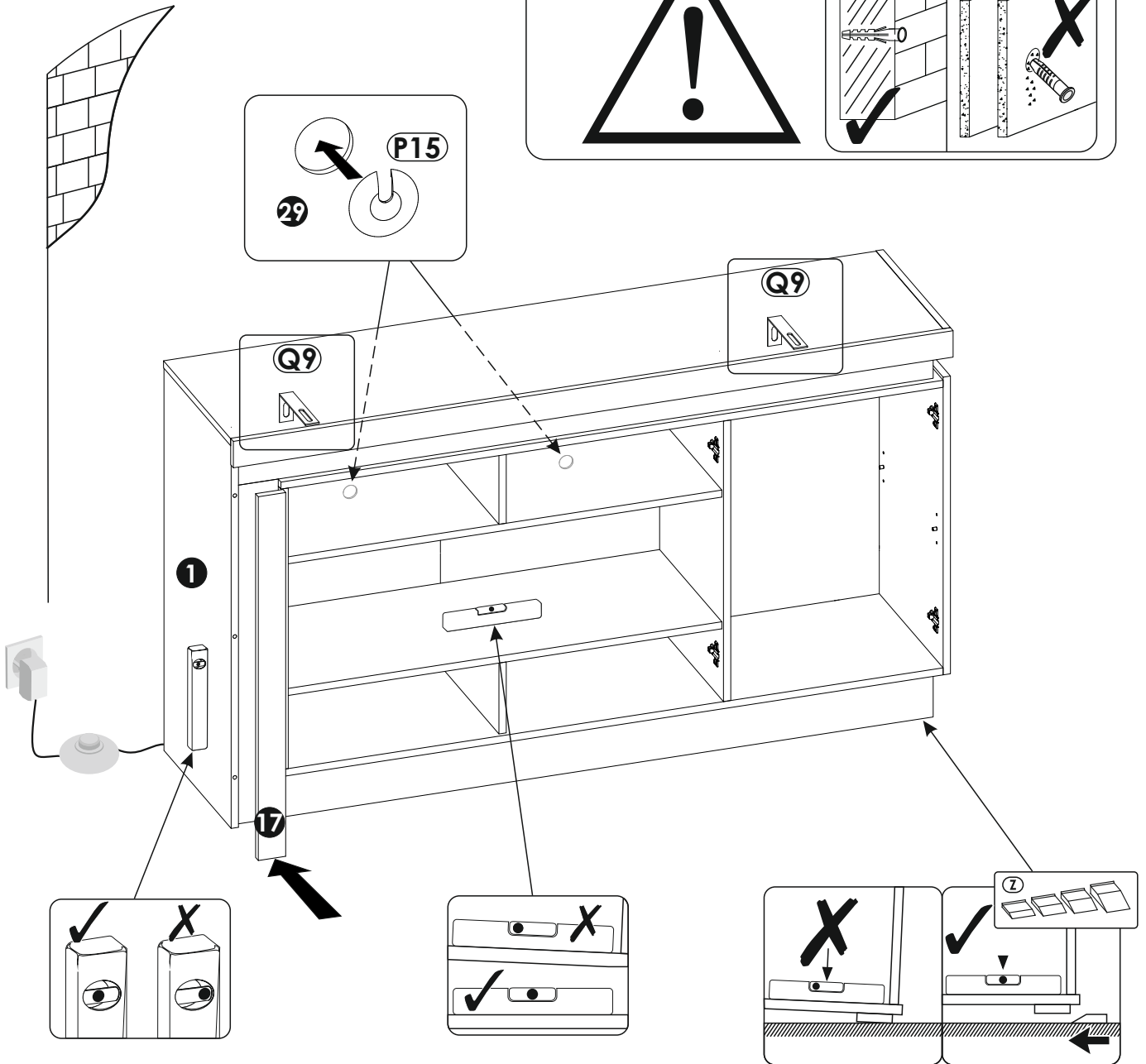
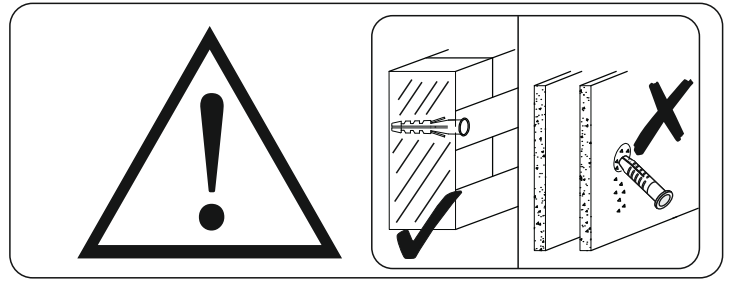
43 ▶



44 ▶



45 ▶



46 ▶

