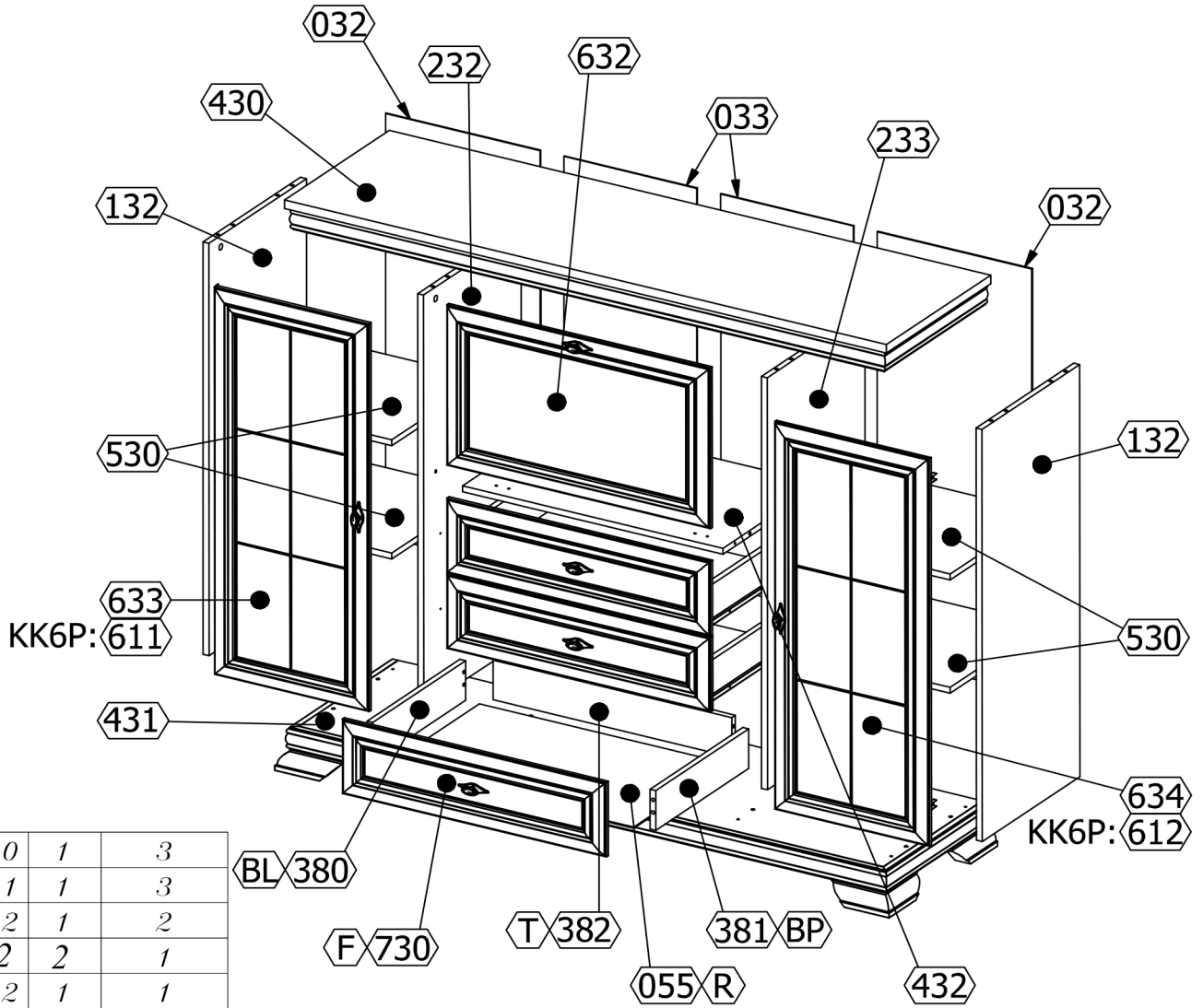
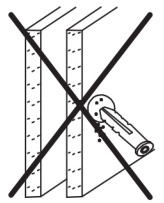
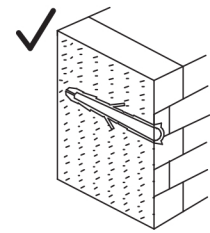
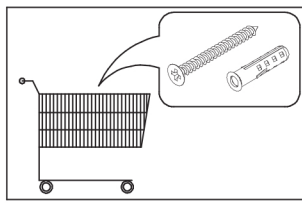
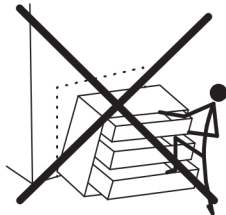
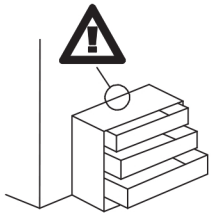


Kora KK6/KK6P



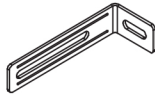
1	430	1	3
2	431	1	3
3	432	1	2
4	132	2	1
5	232	1	1
6	233	1	1
7	032	2	3
8	530	4	1
9	633	1	4
10	634	1	4
11	730	3	2
12	380	3	1
13	381	3	1
14	382	3	1
15	055	3	3
16	033	2	3
17	632	1	2

611 KK6P
612 KK6P



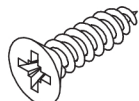
A

T4 x1

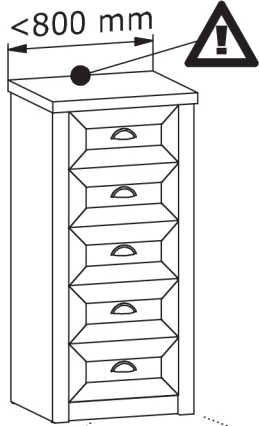


75x28x16 mm

W2 x2

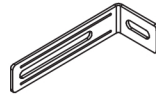


Ø3,5x16mm



B

T4 x2

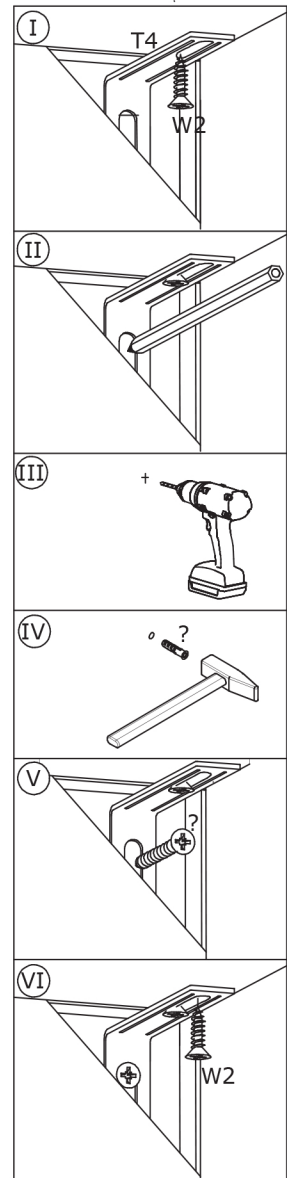
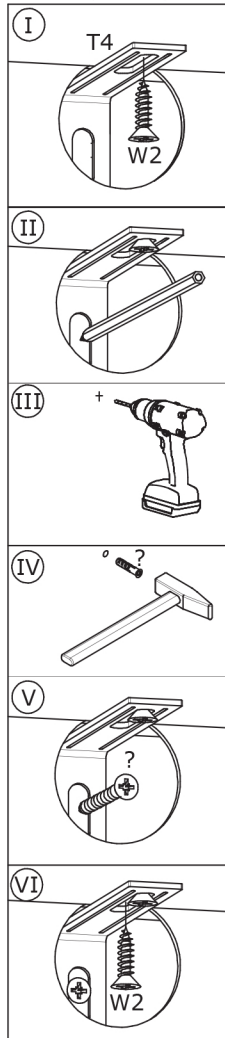
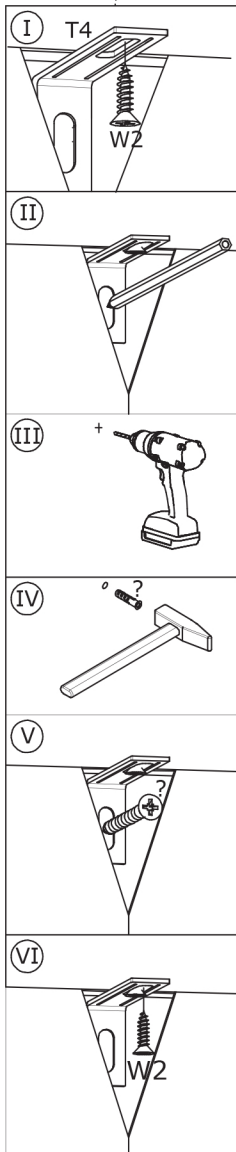
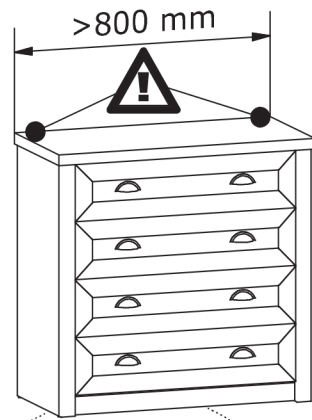


75x28x16 mm

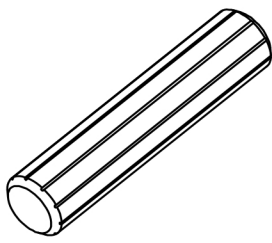
W2 x4



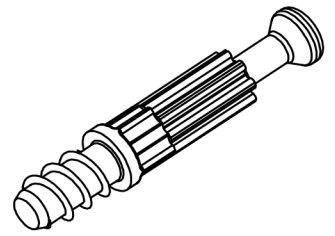
Ø3,5x16mm



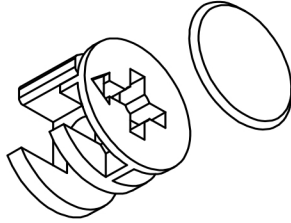
A x44
(8x36)



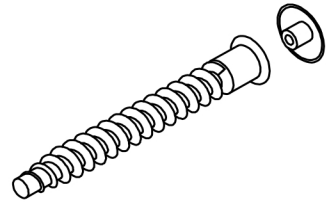
B x16



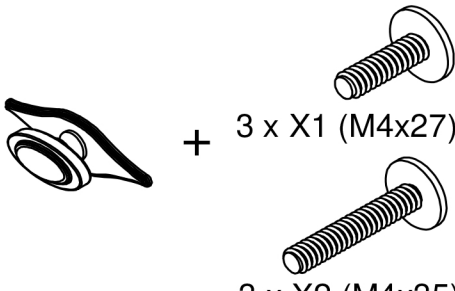
C x16
(Ø15x12)



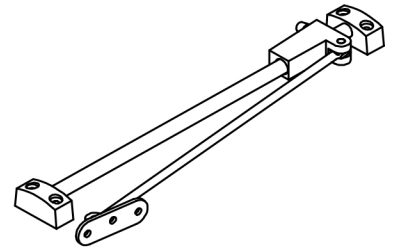
D x4



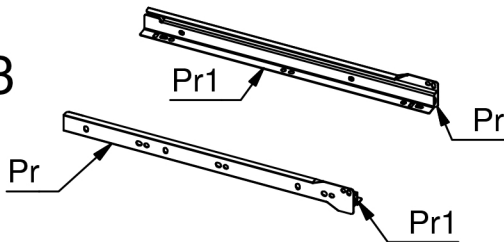
M x6
+ 3 x X1 (M4x27)
3 x X2 (M4x35)



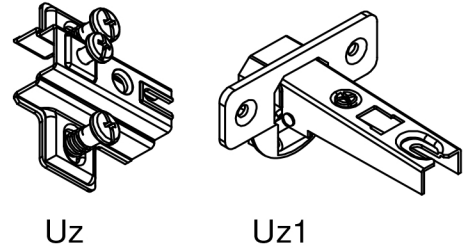
R x1



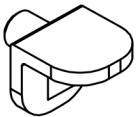
P x3
Pr
Pr
Pr
Pr



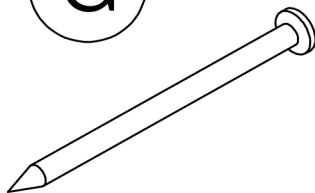
U x6



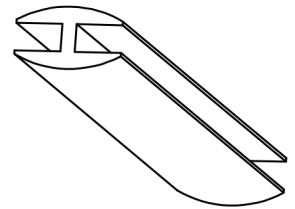
E x16



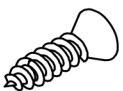
G x120



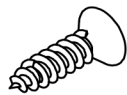
H x1



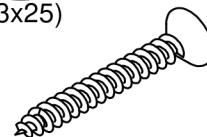
W1 x16
(3,5x13)



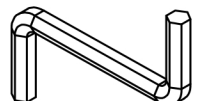
W2 x12
(3,5x16)

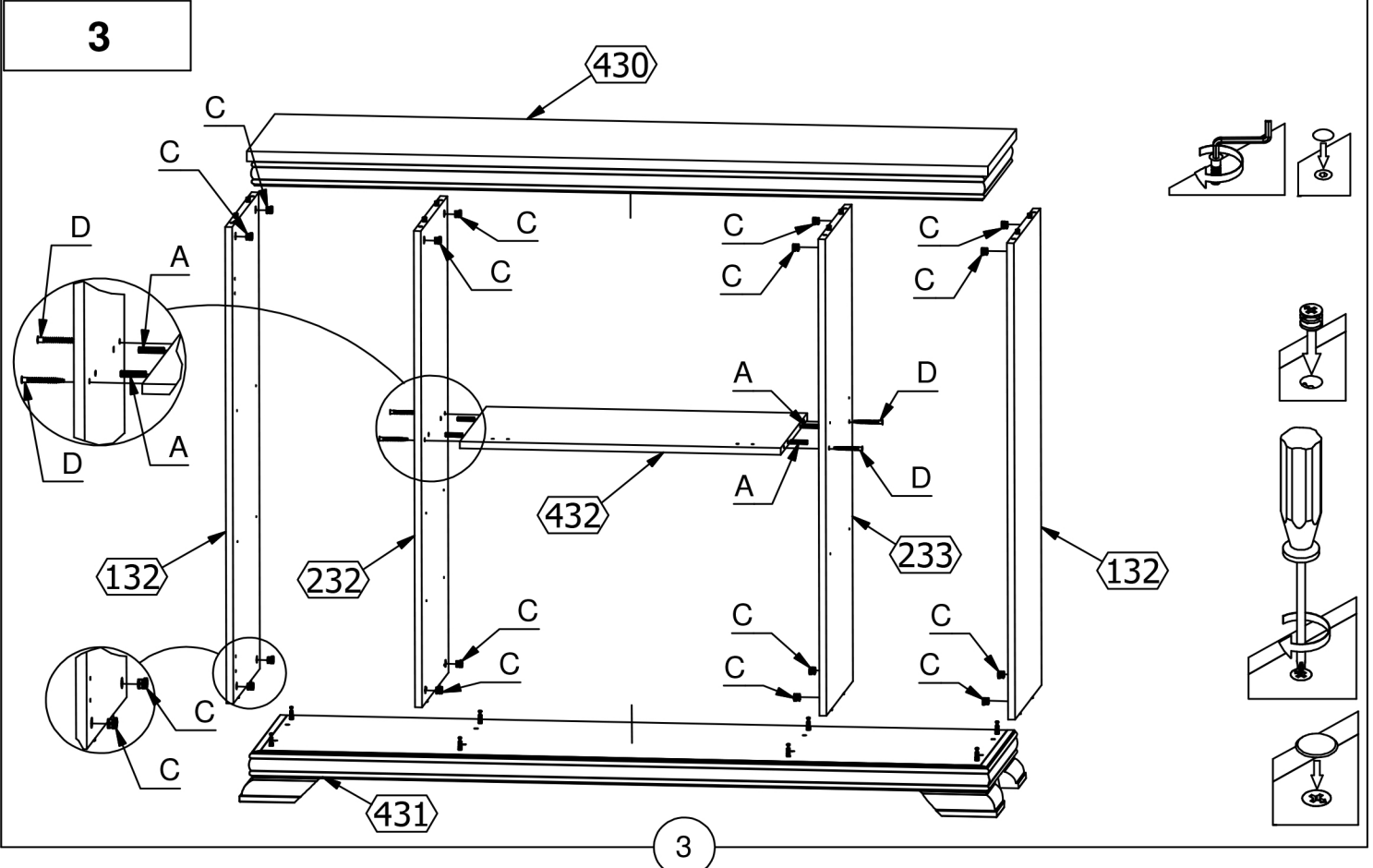
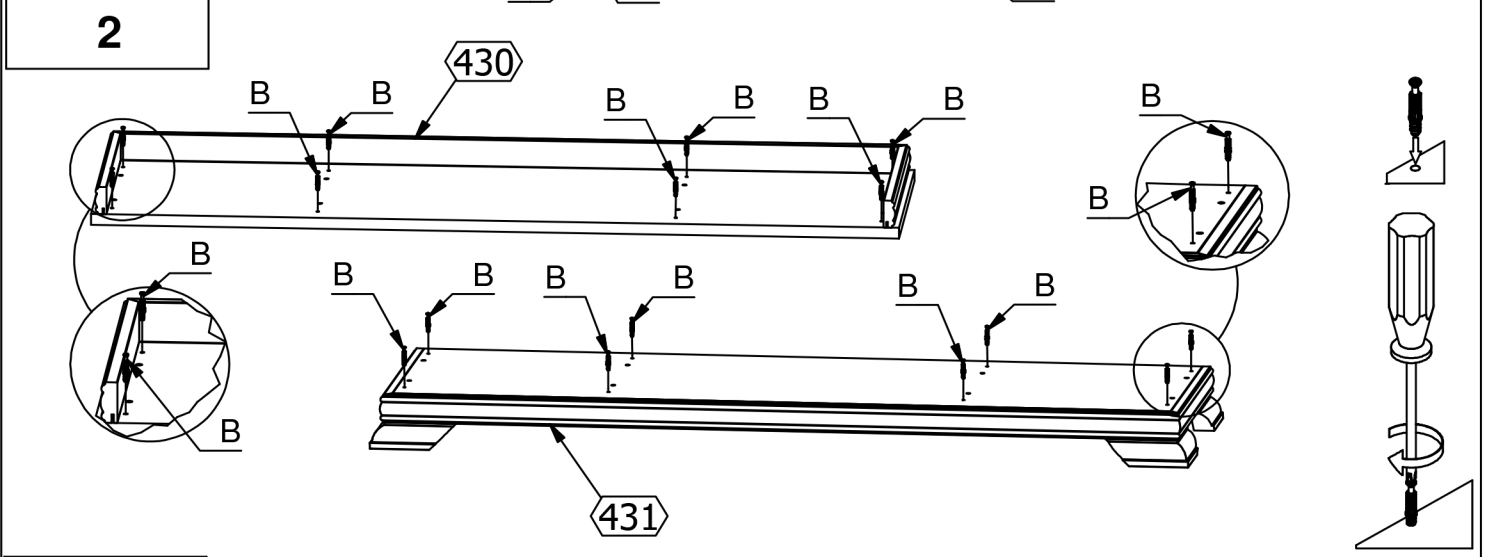
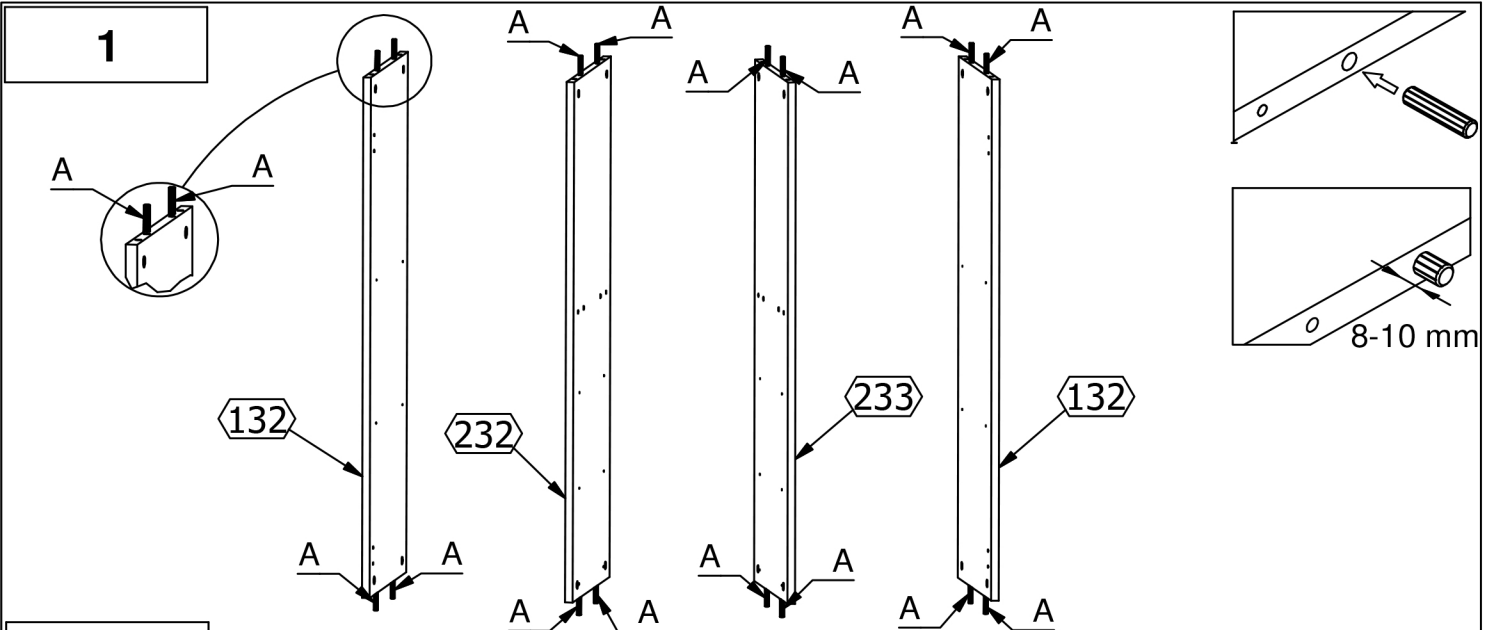


W3 x16
(3x25)

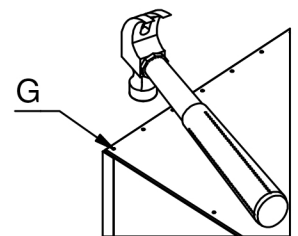
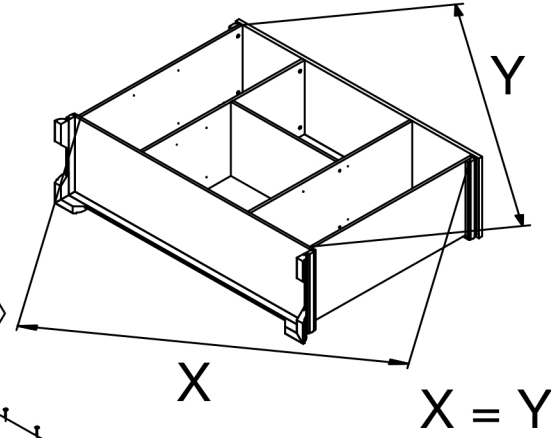
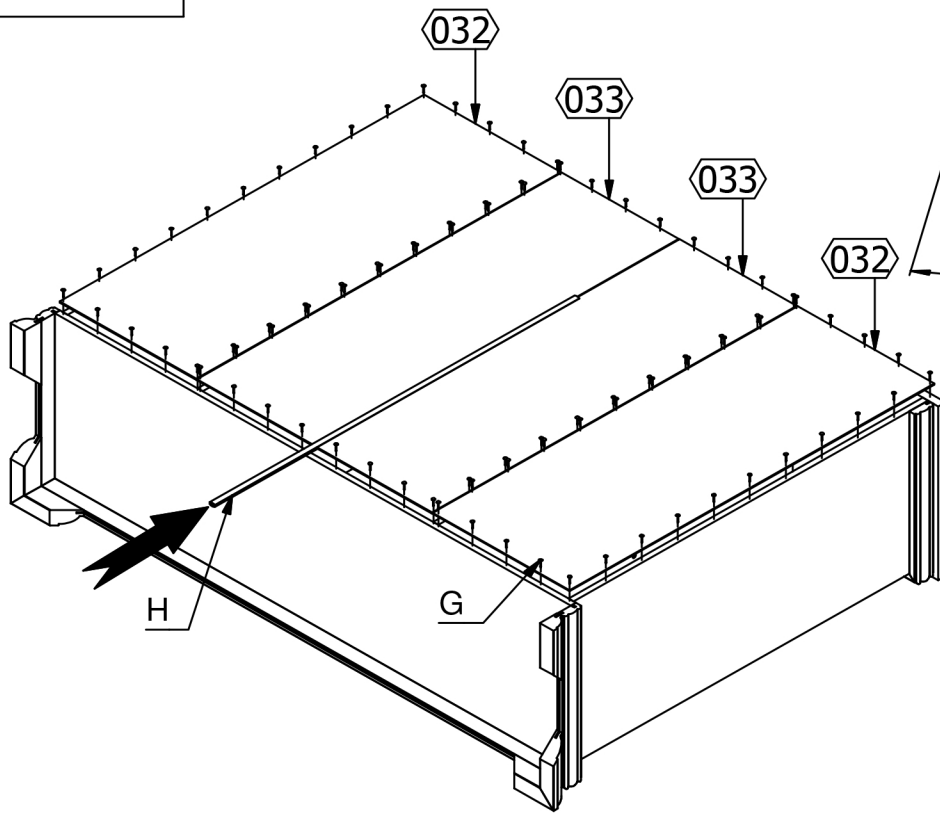


Z x1

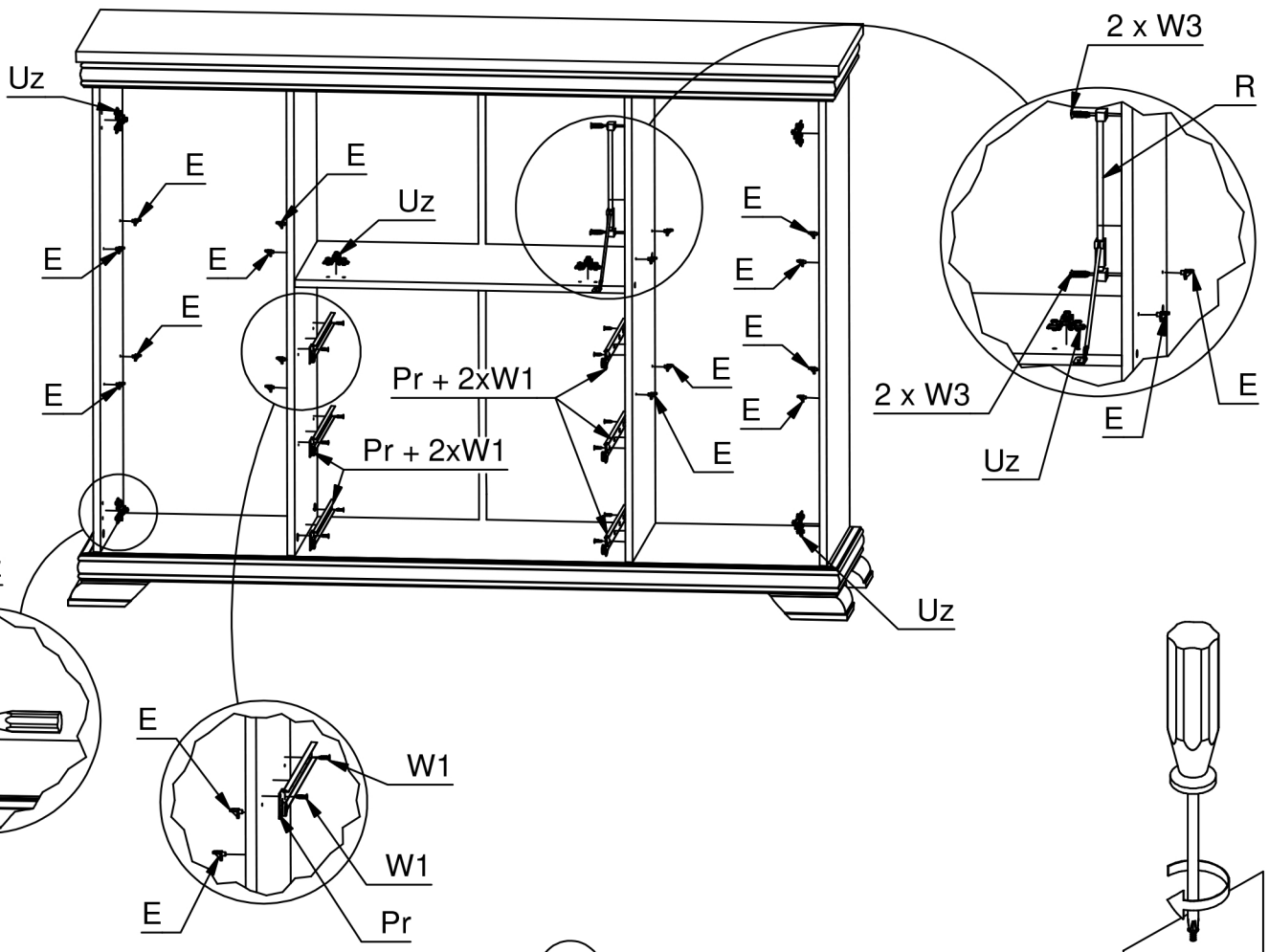




4

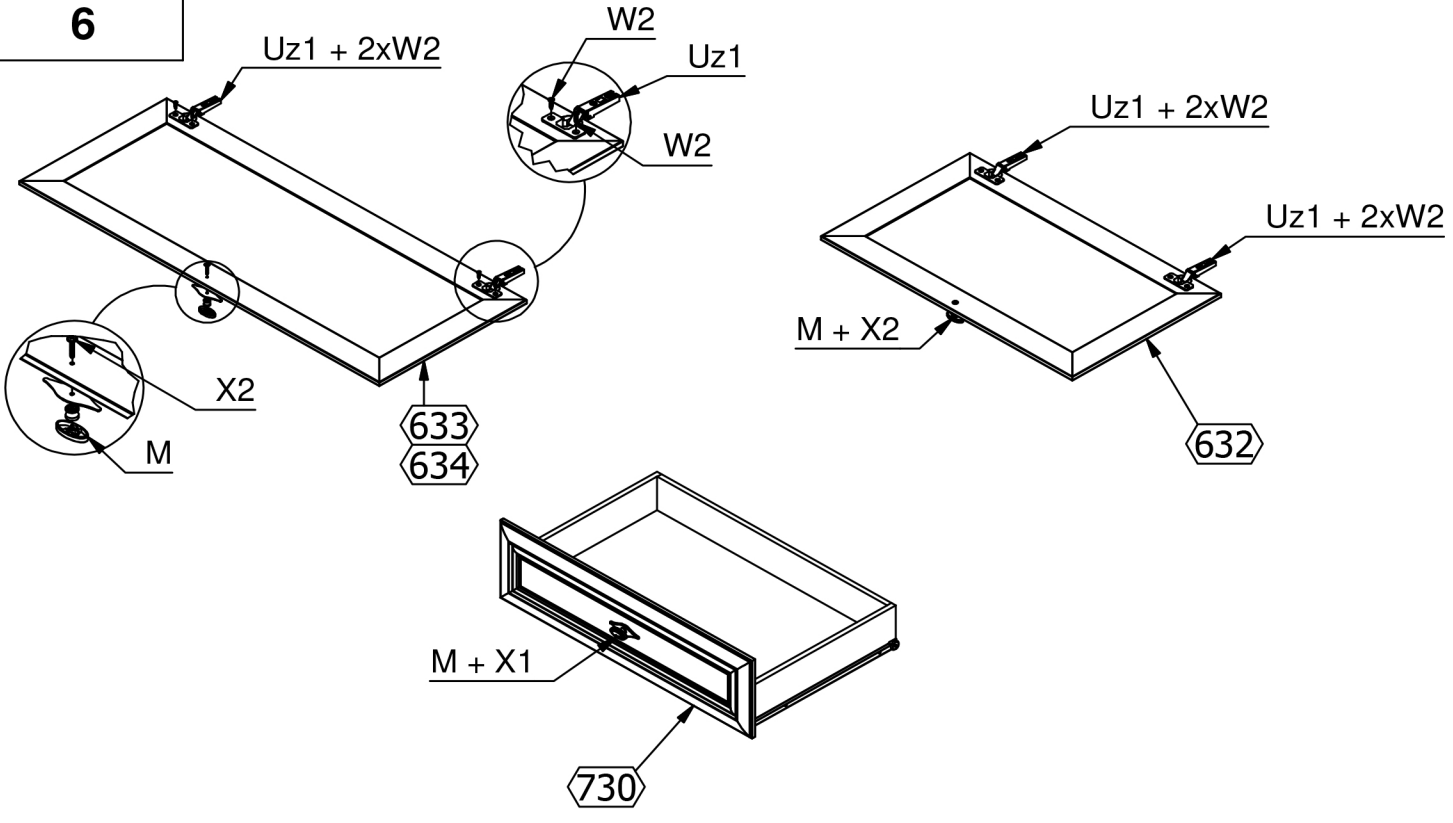


5

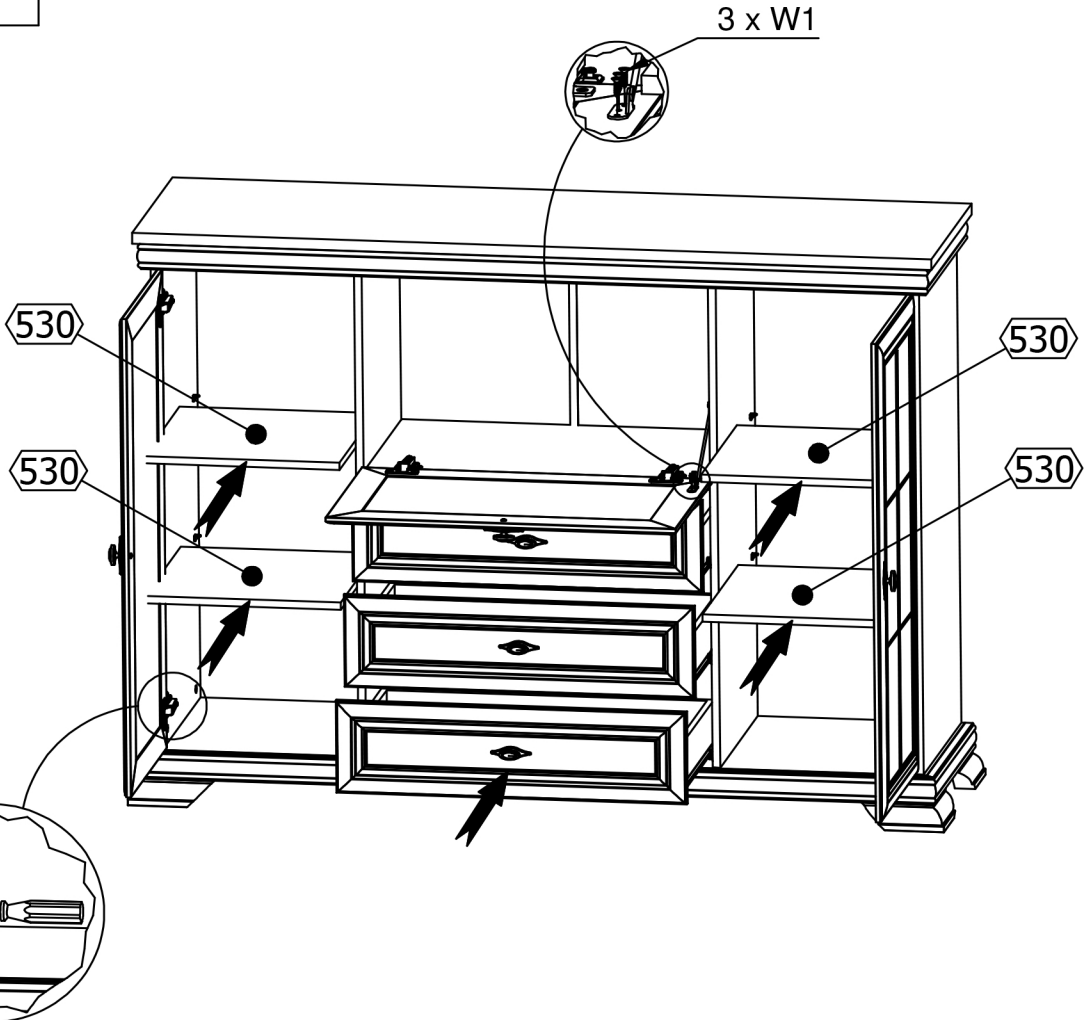


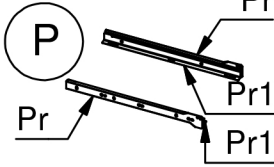
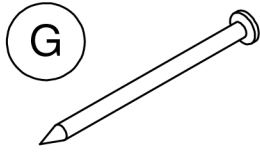
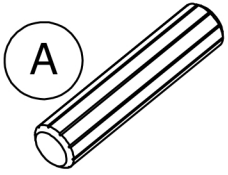
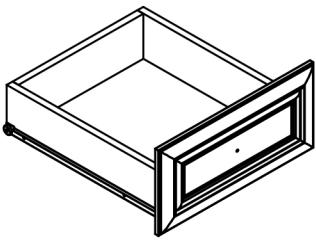
4

6



7

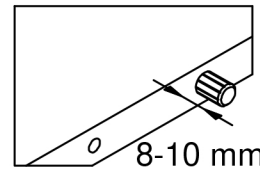
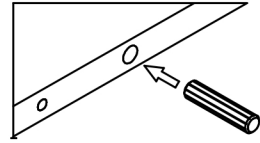
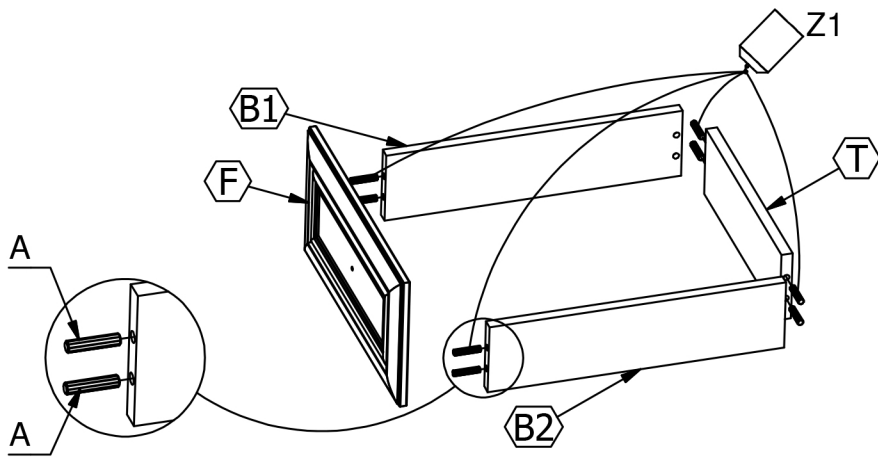




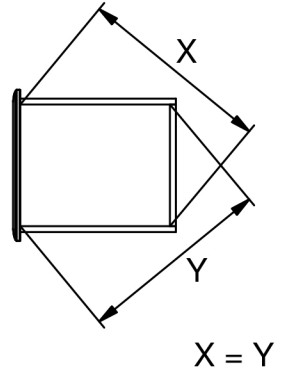
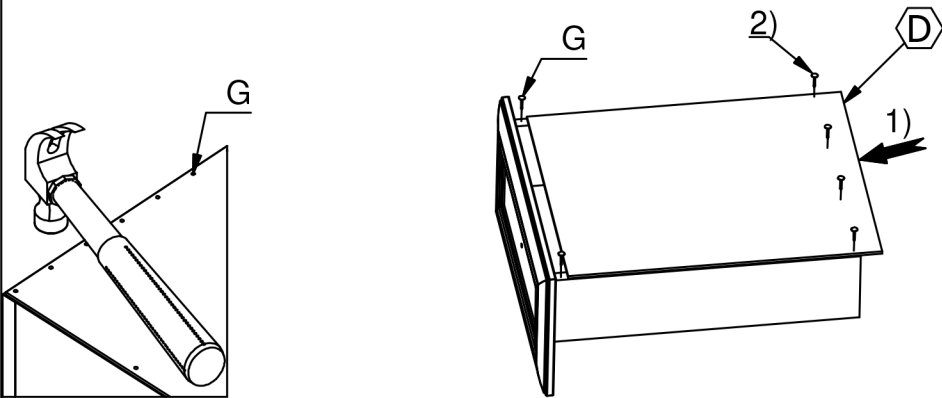
∅3 x 25



I



II



III

