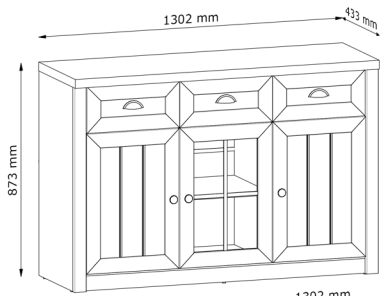
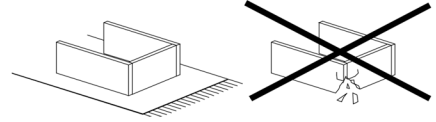
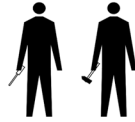


PROWANSJA

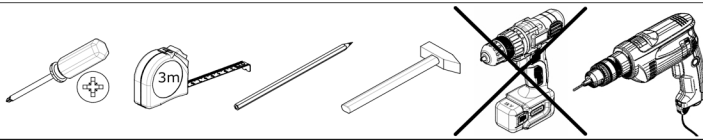
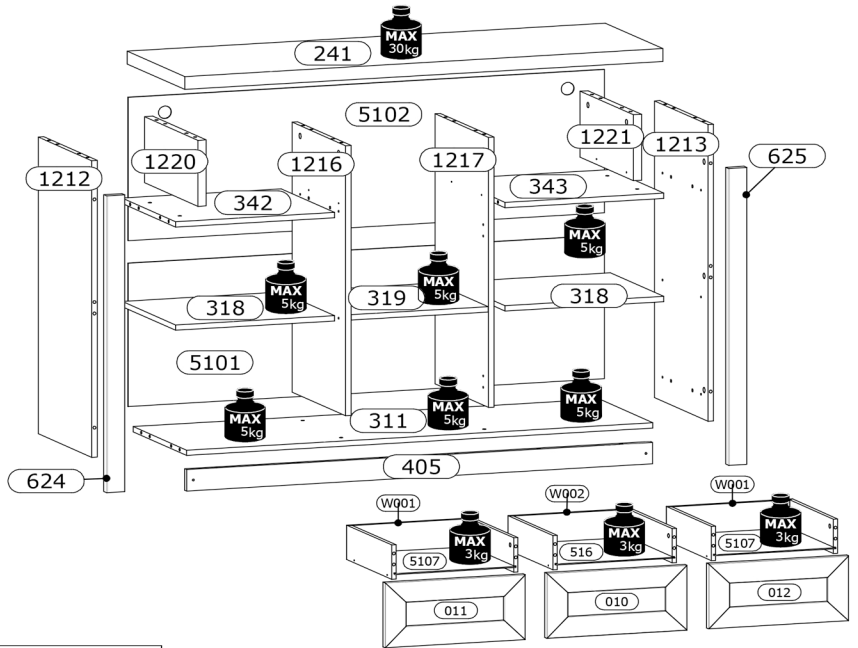
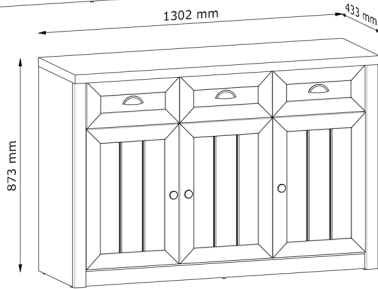
K3S/K3SP SA



K3S

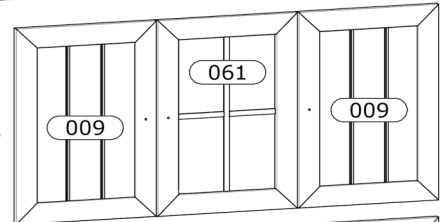


K3SP

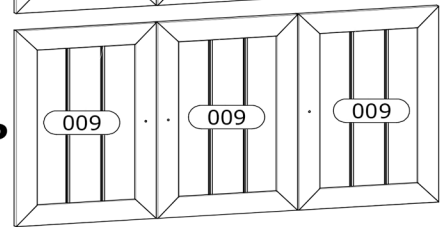


A1 x42 Ø8x35mm	B1 x32 Ø5x38mm	C1 x26 Ø15x12mm	C2 x6 Ø12x10mm	E1 x12 Ø5x16mm
G1 x42 26mm	H x1 1297 mm	J1 x22 Ø21mm	K1 x8 Ø6,4x50mm	N2 x1 4mm HEX
P2 x6 350mm	T4 x2 75x28x16 mm	U1 x3 Ø33mm	U3 x3 92x33mm	W1 x18 Ø3,5x13mm
W2 x28 Ø3,5x16mm	W5 x2 Ø4x30mm	X2 x6 M4x16mm	X4 x3 M4x25mm	Y1 x12 Ø8x1,5mm
Y5 x7 Ø15x20mm	Z1 x2 50x40, H=2	Z4 x2 Ø35mm, ZK9	Z6 x4 Ø35mm, 90°	

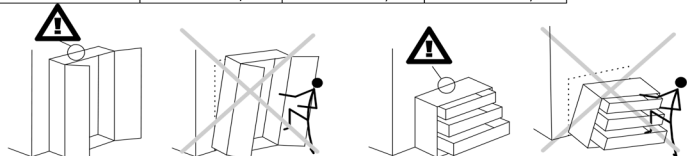
K3S



K3SP

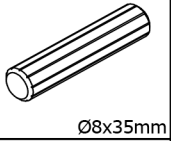


No	L[mm]	W[mm]	H[mm]	PCS	BOX
W001	1057	100	12	2	1/3
W002	1049	100	12	1	1/3
009	395	570	18	2/3 (K3S/K3SP)	2/3
010	189	396	18	1	2/3
011	189	396	18	1	2/3
012	189	396	18	1	2/3
061	395	570	18	1/0 (K3S/K3SP)	2/3
1212	832	400	15	1	2/3
1213	832	400	15	1	2/3
1216	757	400	15	1	1/3
1217	757	400	15	1	1/3
1220	185	400	22	1	1/3
1221	185	400	22	1	1/3
241	1302	400	36	1	1/3
311	1270	400	15	1	1/3
318	433	400	15	2	1/3
319	373	400	15	1	1/3
342	433	400	15	1	1/3
343	433	400	15	1	1/3
405	1269	60	15	1	1/3
5101	402	1297	2,5	1	1/3
5102	402	1297	2,5	1	1/3
5107	342	351	2,5	2	1/3
516	336	351	2,5	1	1/3
624	832	50	22	1	2/3
625	832	50	22	1	2/3

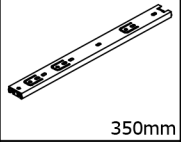


1

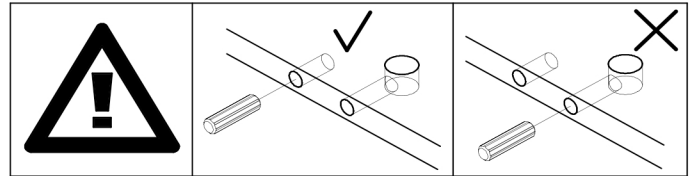
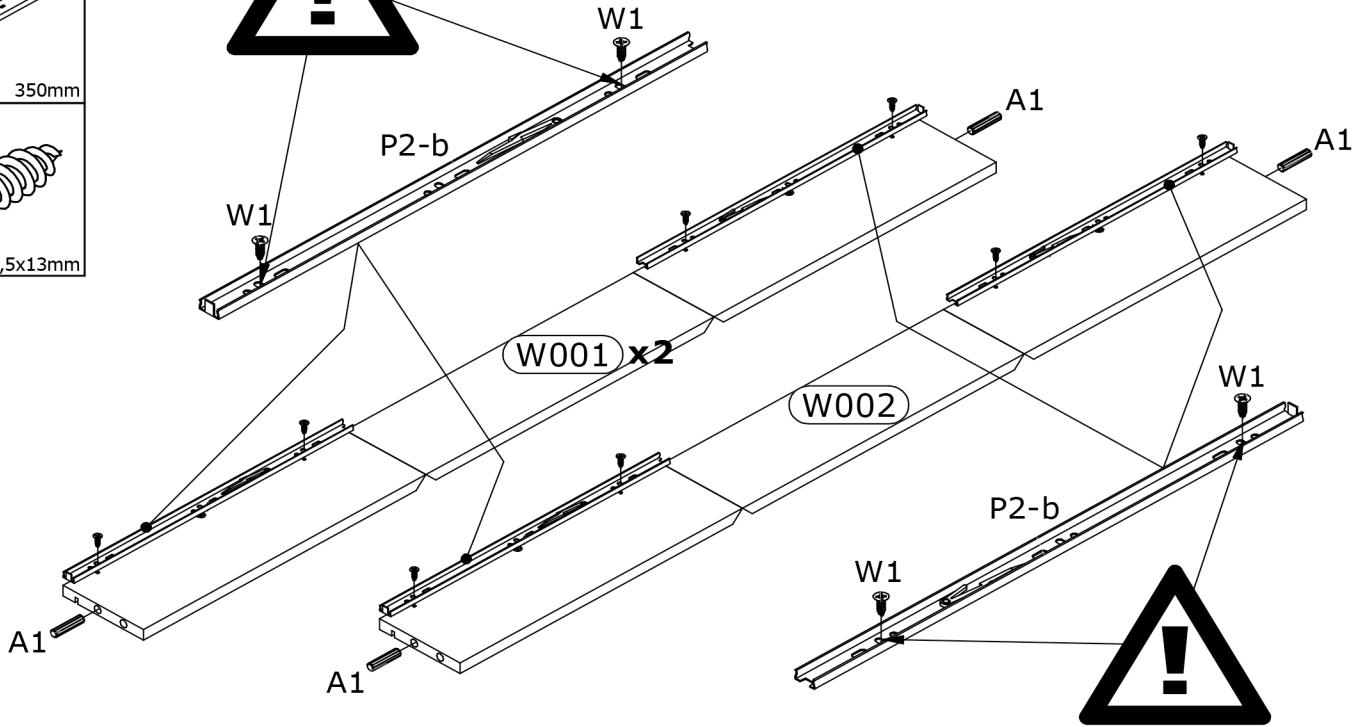
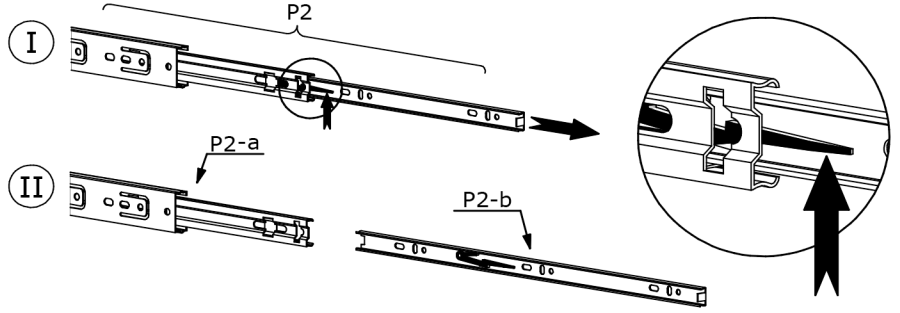
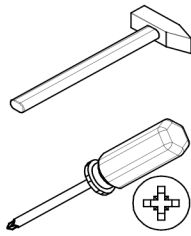
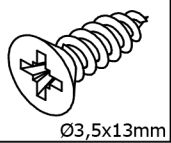
A1 x 6



P2 x 6

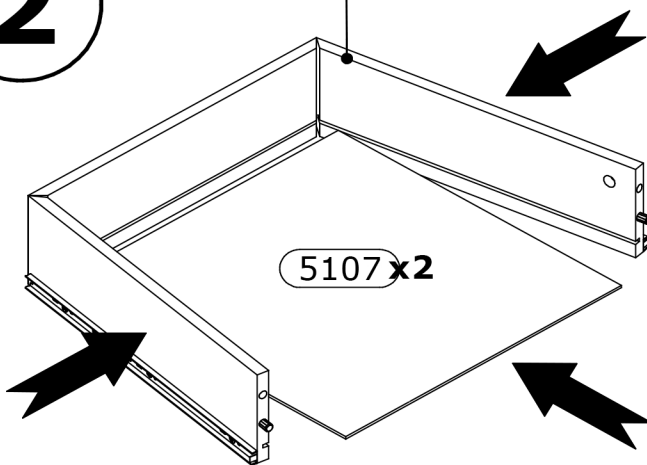


W1 x 12



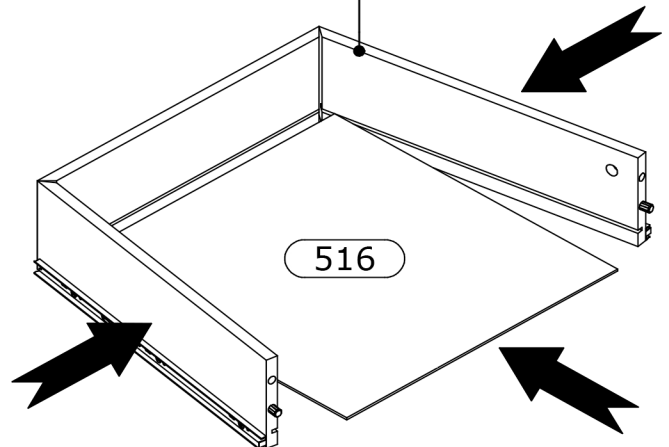
2

W001 x2



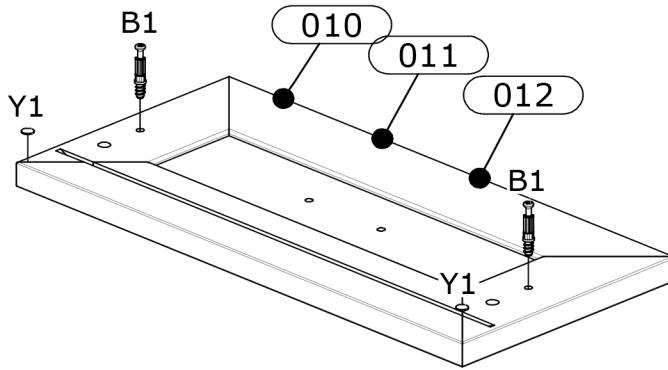
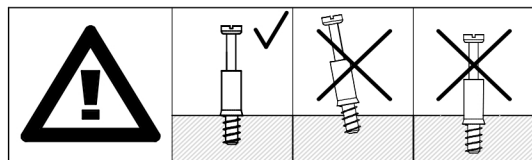
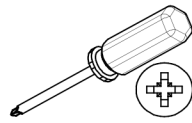
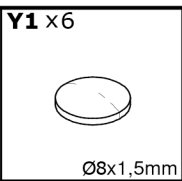
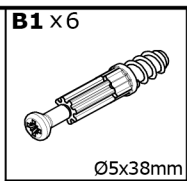
5107 x2

W002

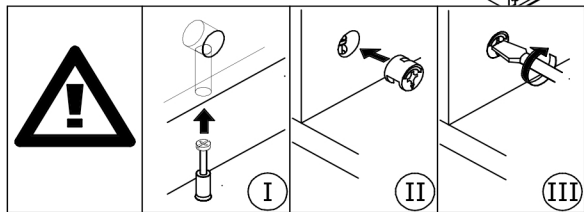
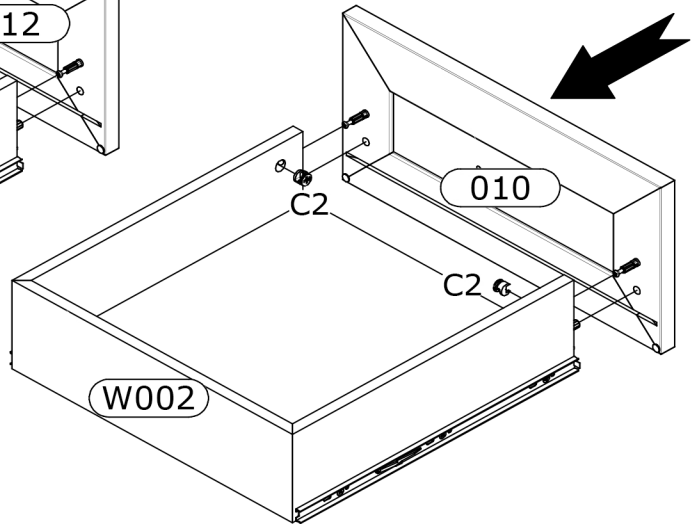
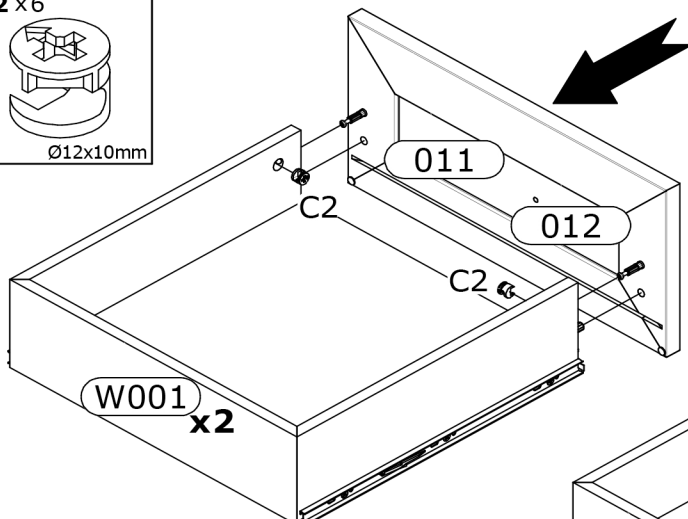
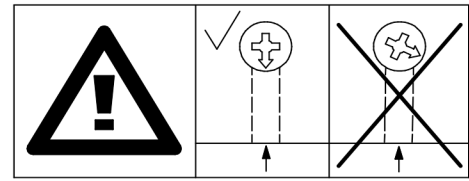
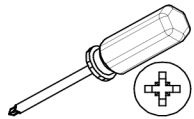
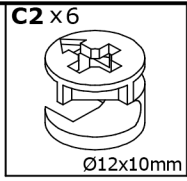


516

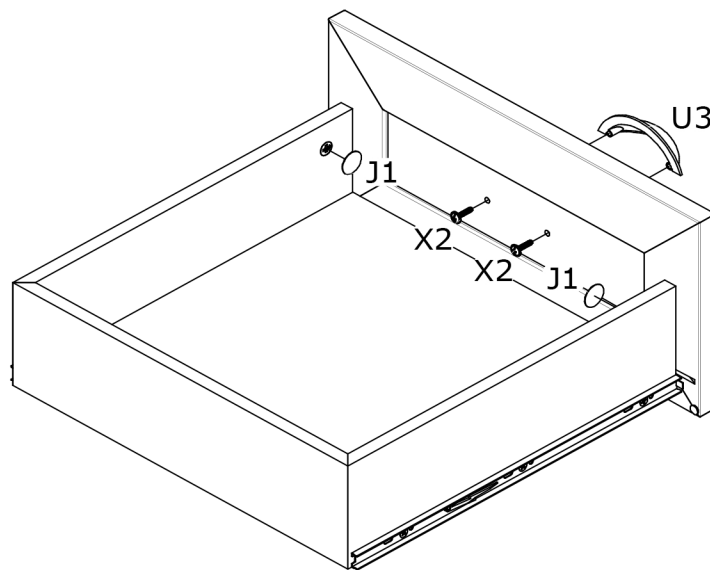
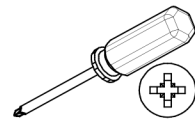
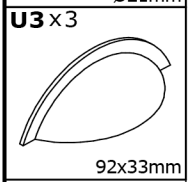
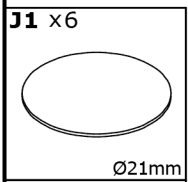
3



4

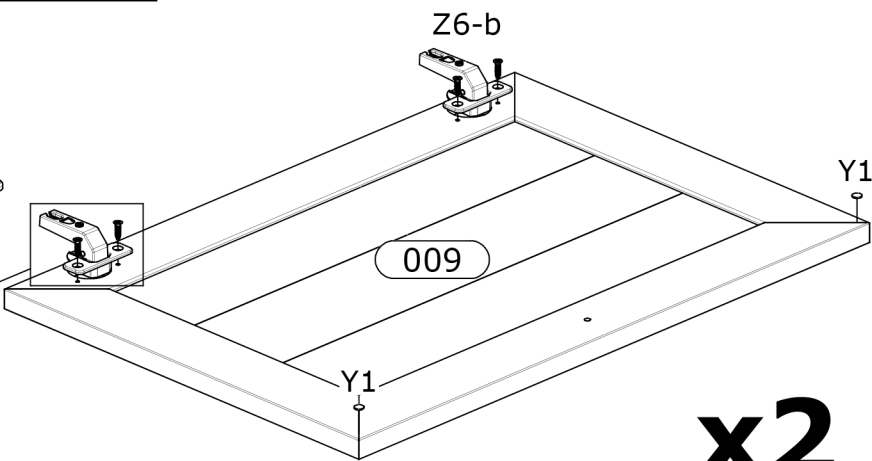
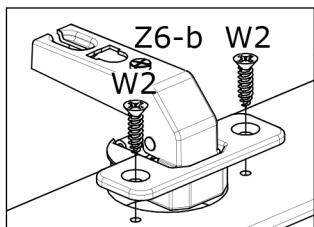
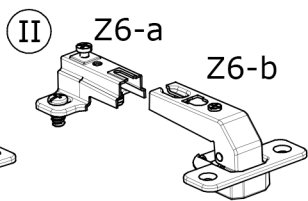
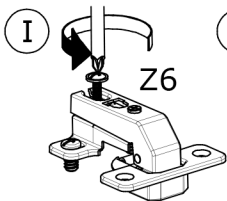
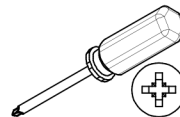
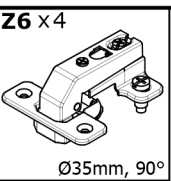
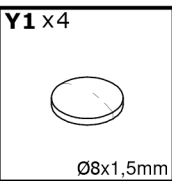
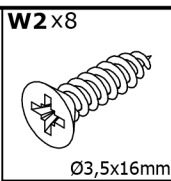


5



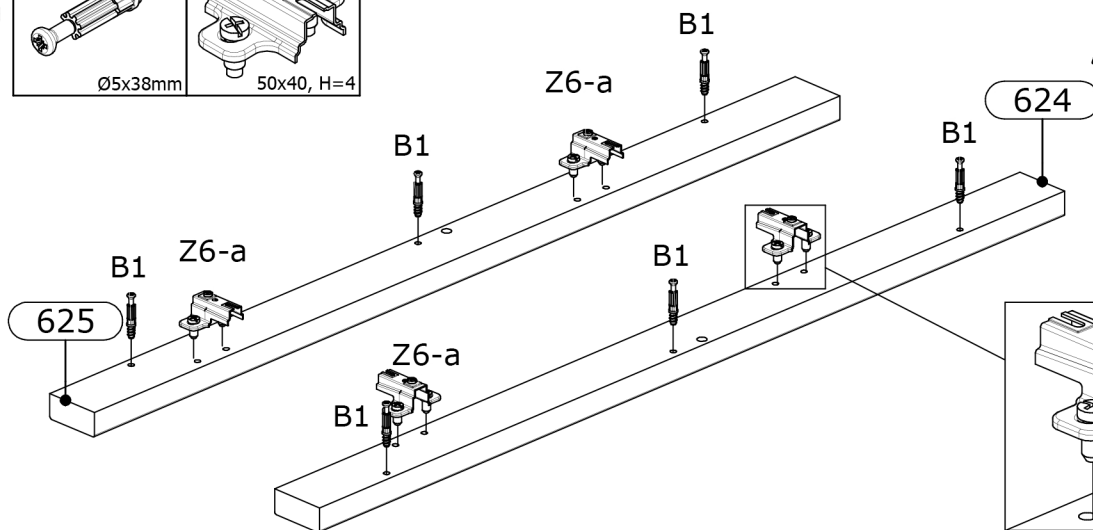
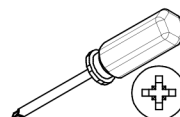
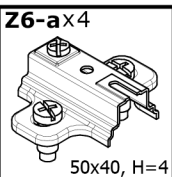
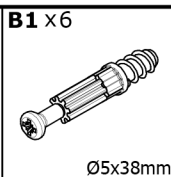
x3

6

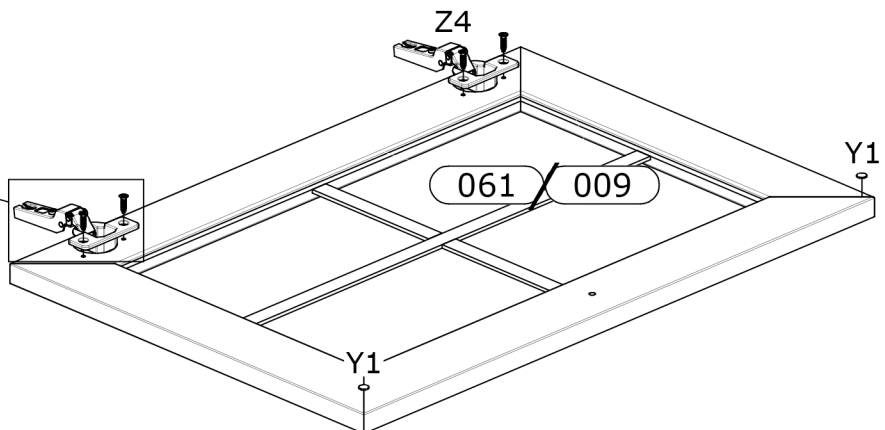
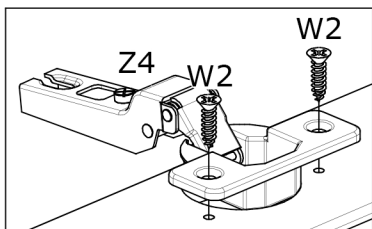
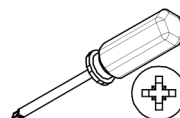
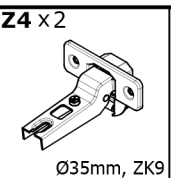
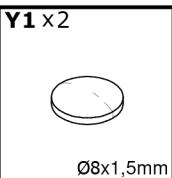
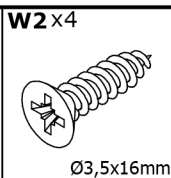


x2

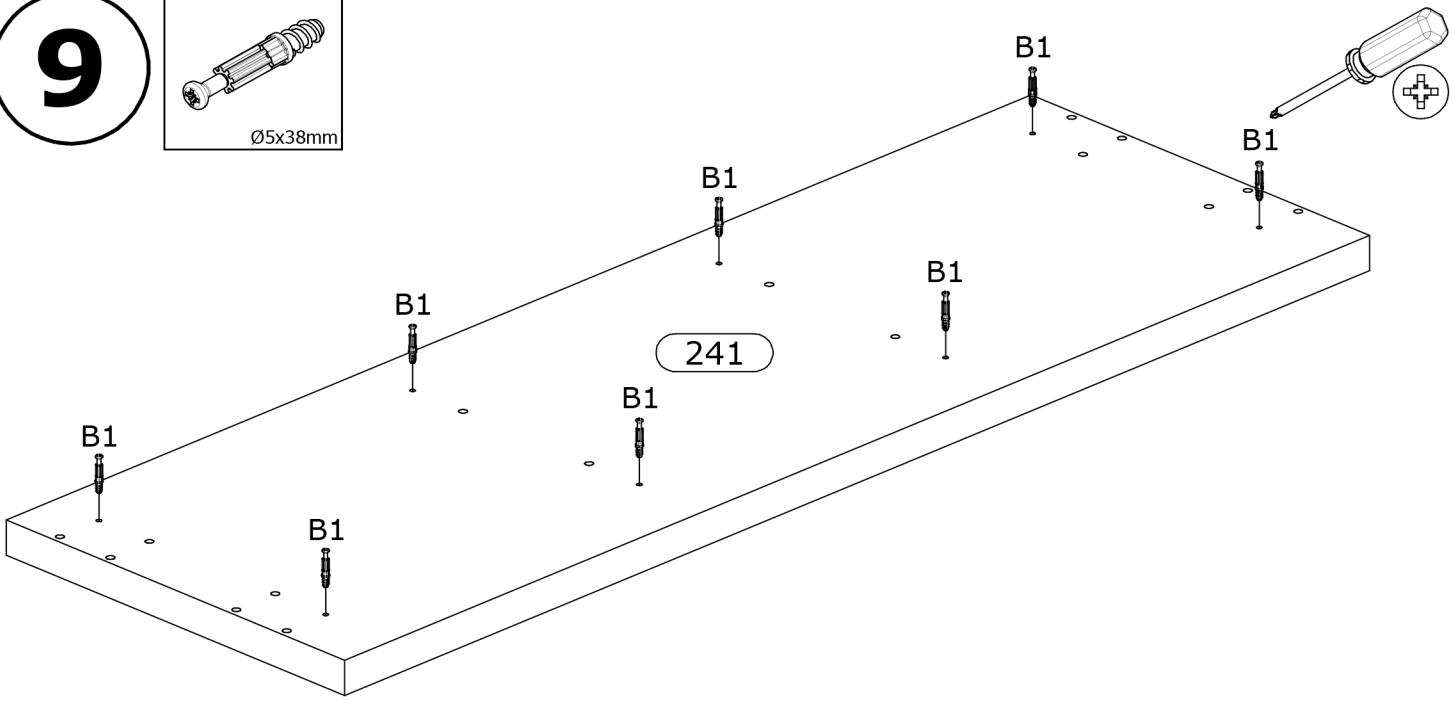
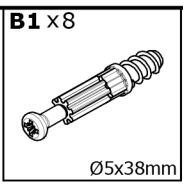
7



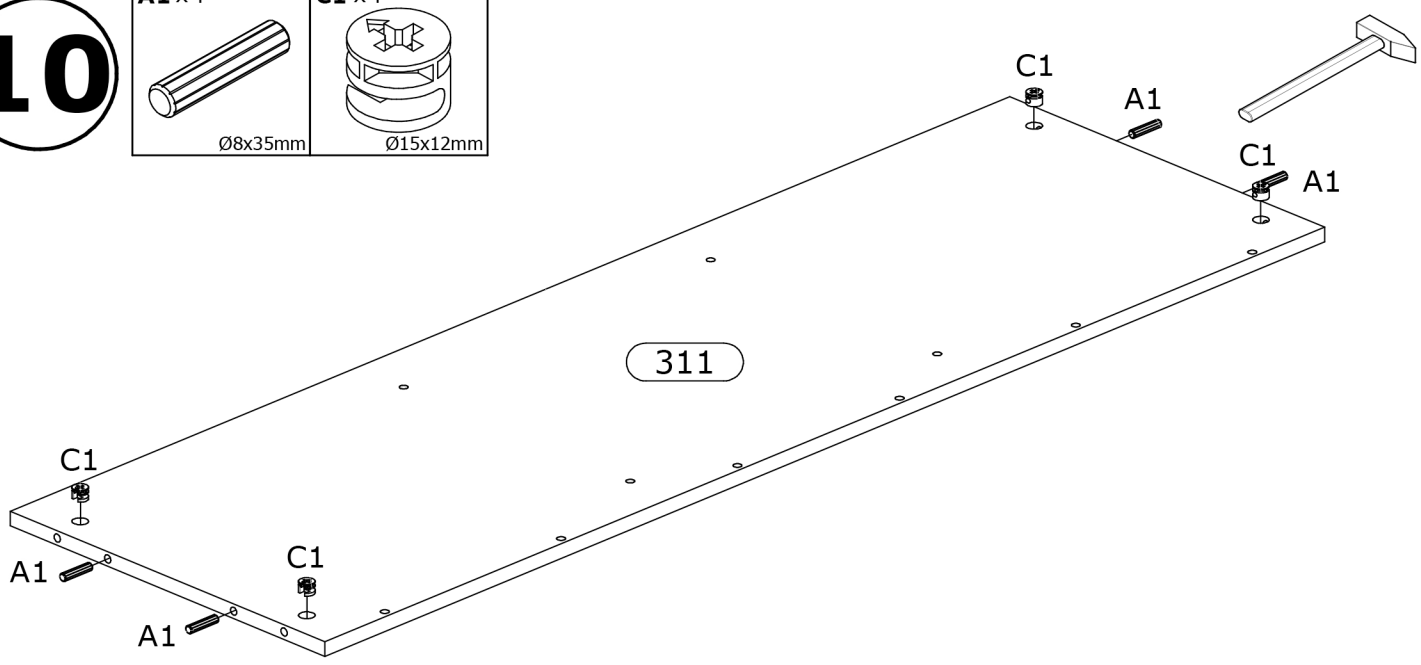
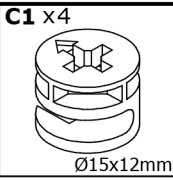
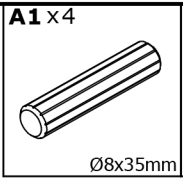
8



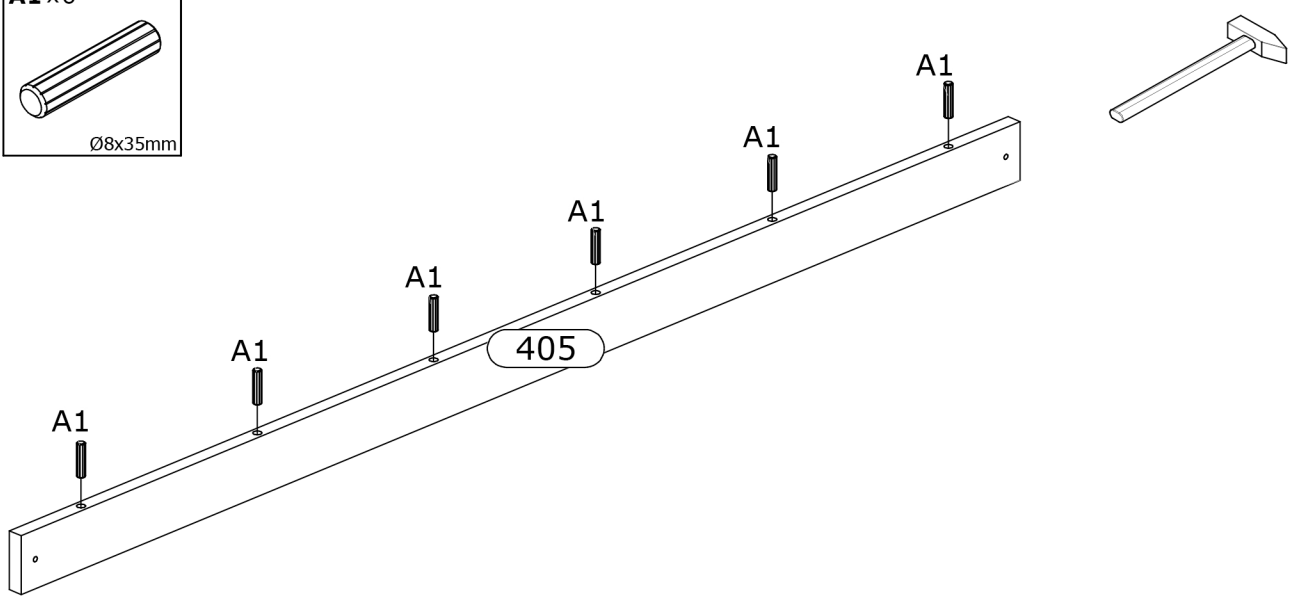
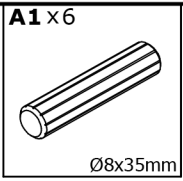
9



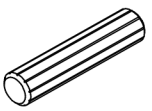
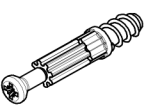

10

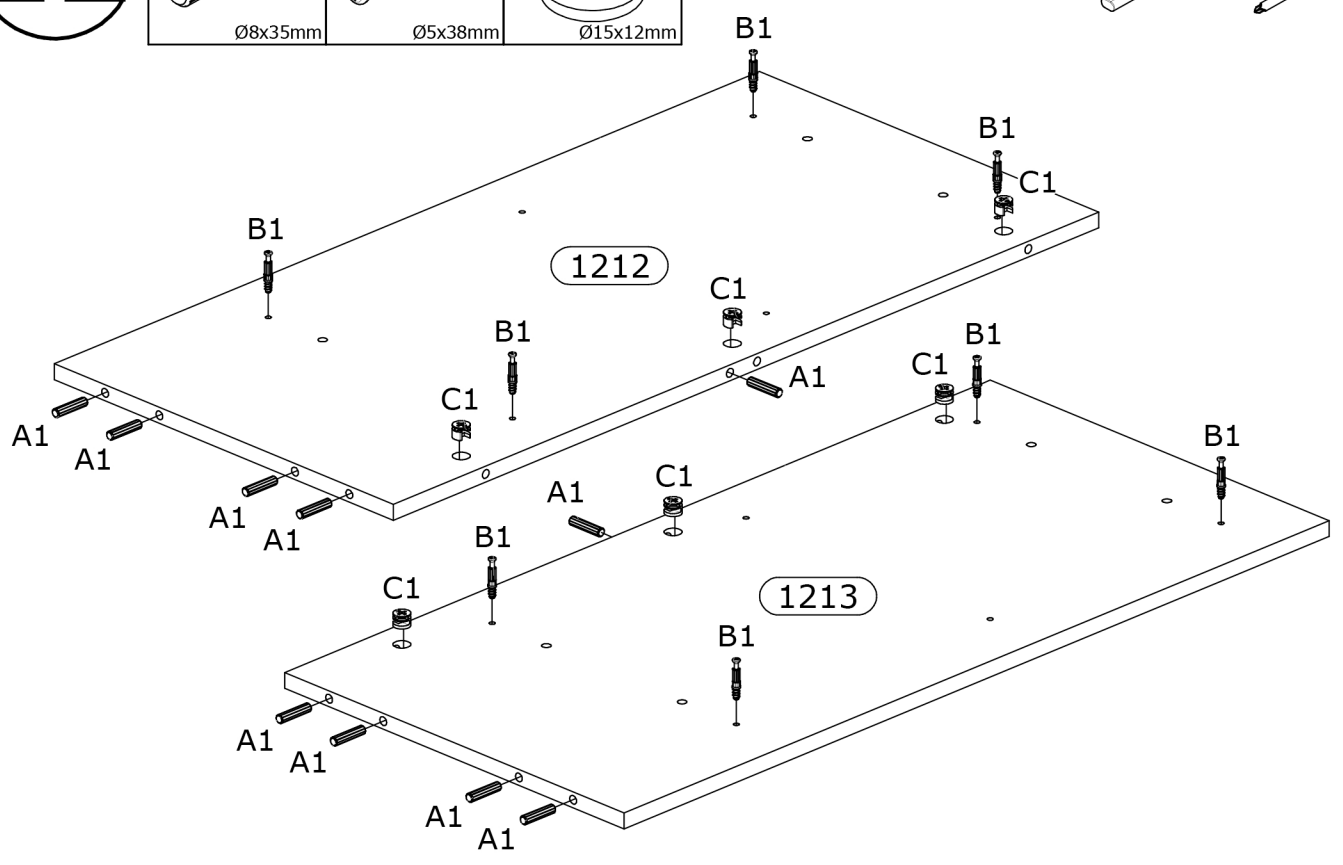
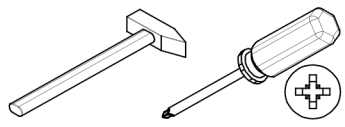


11

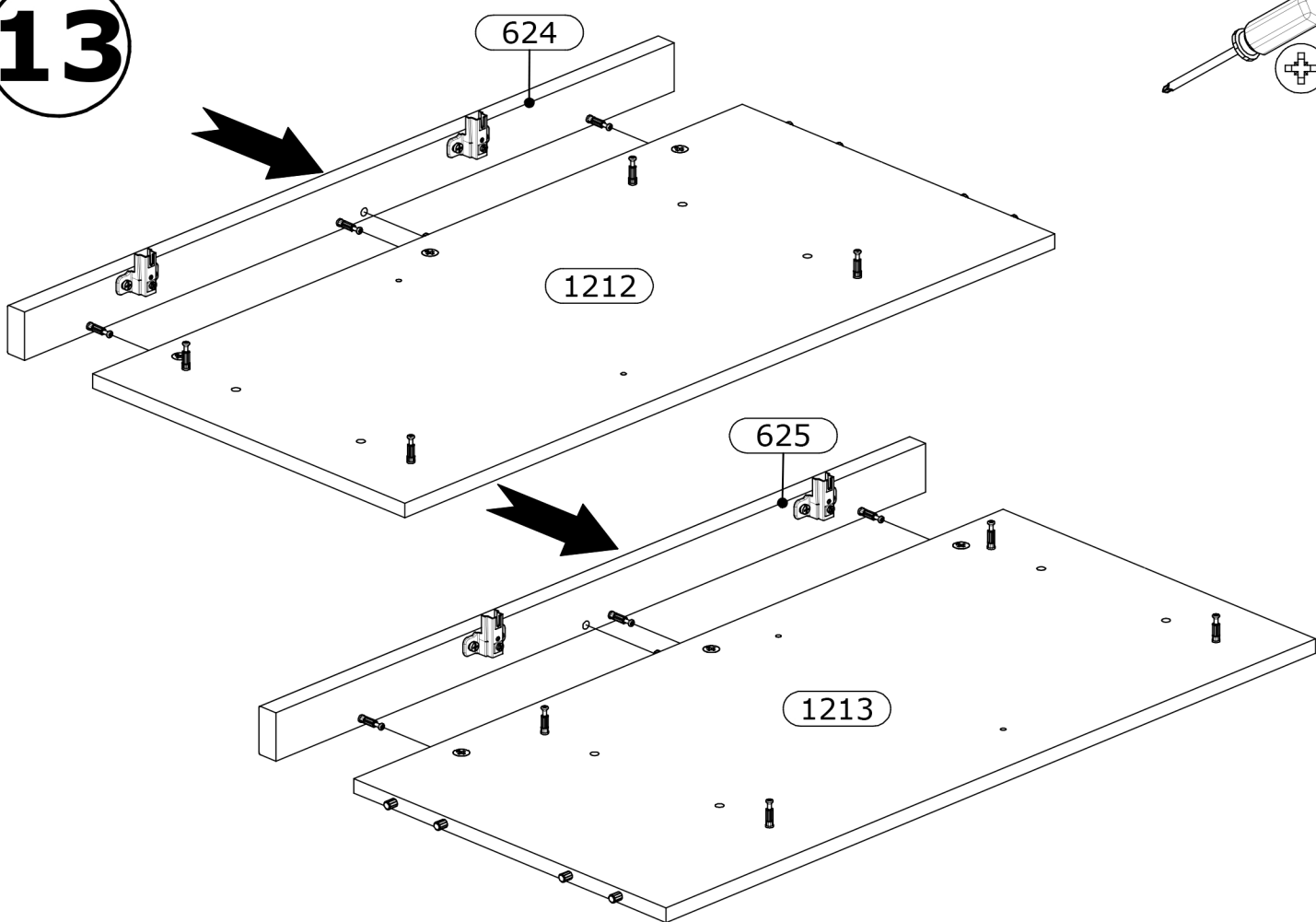
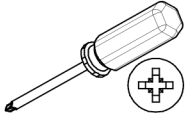


12

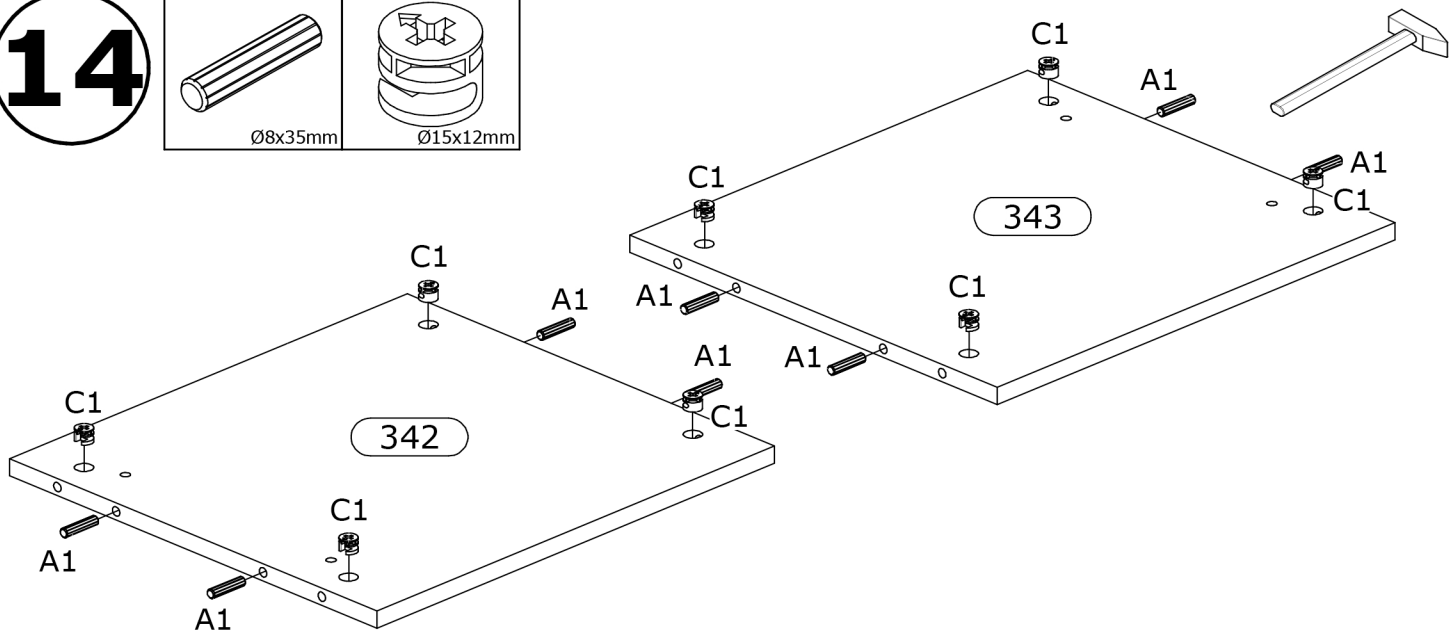
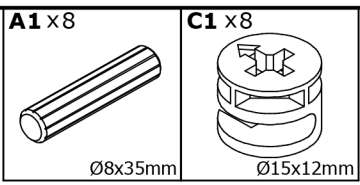
A1 x10  Ø8x35mm	B1 x8  Ø5x38mm	C1 x6  Ø15x12mm
--	---	--



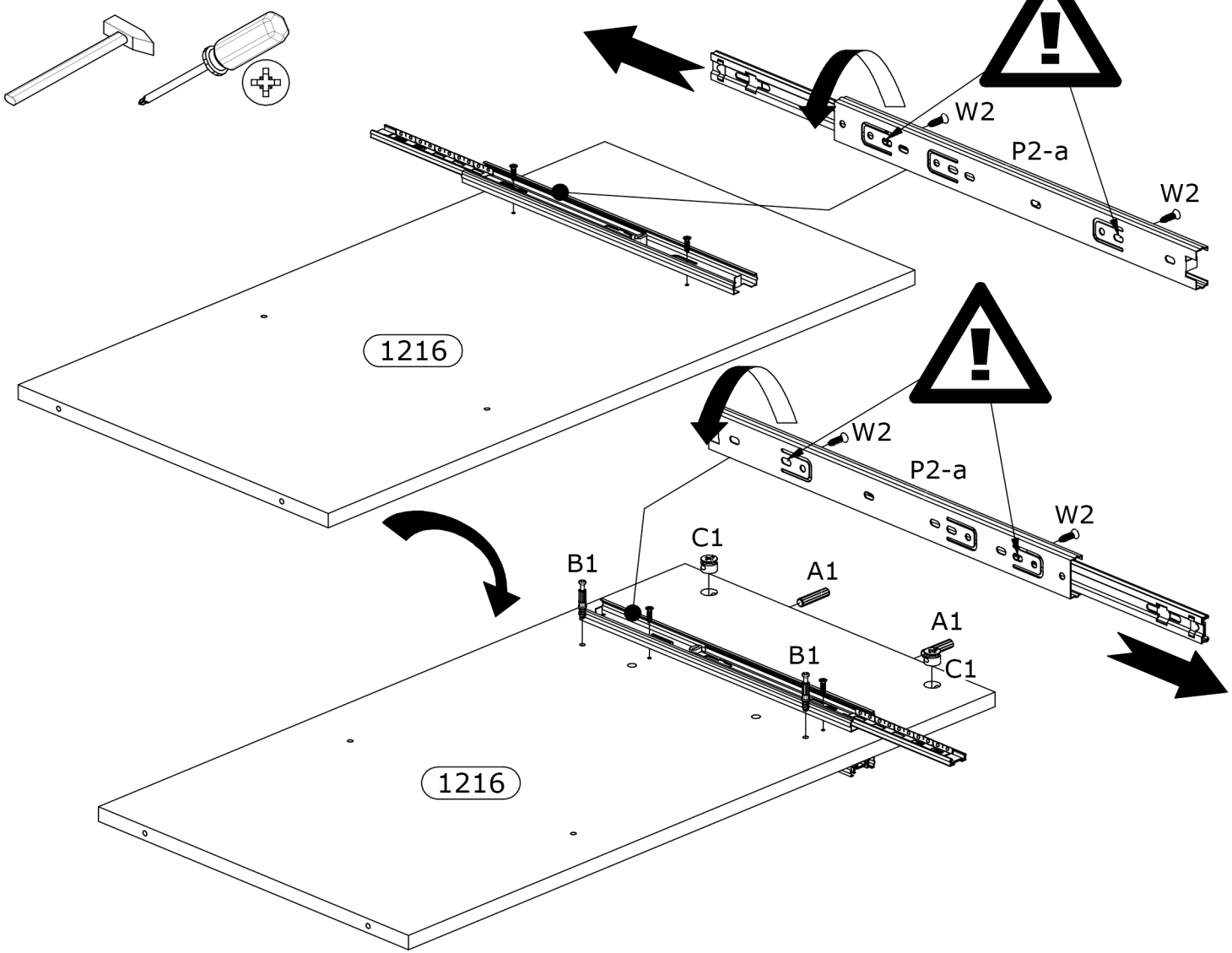
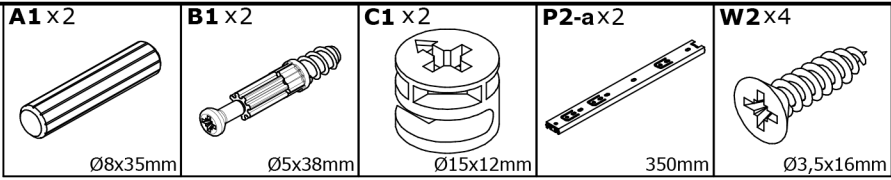
13



14

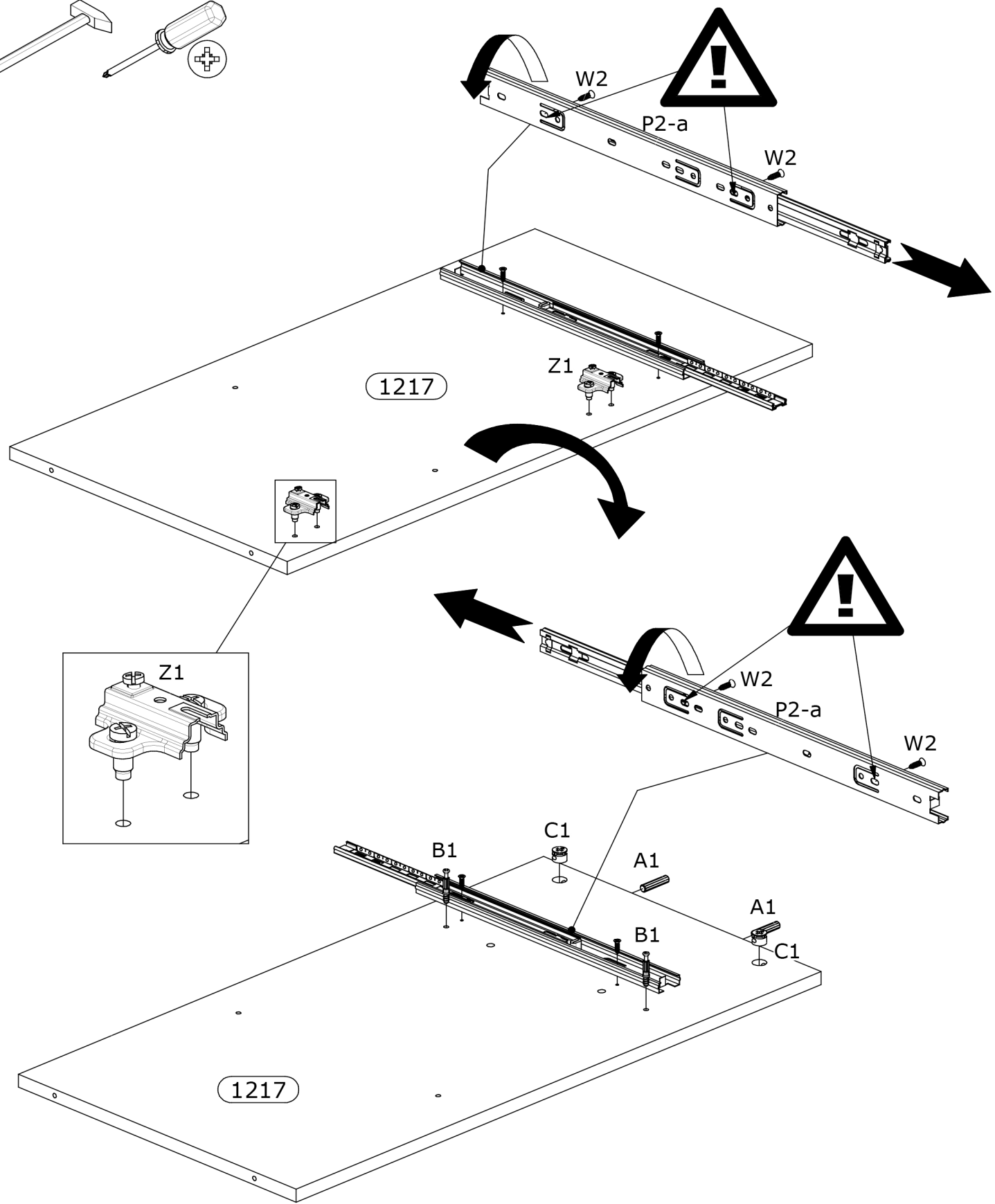
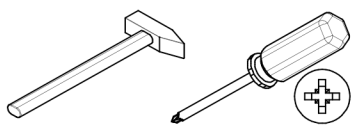


15

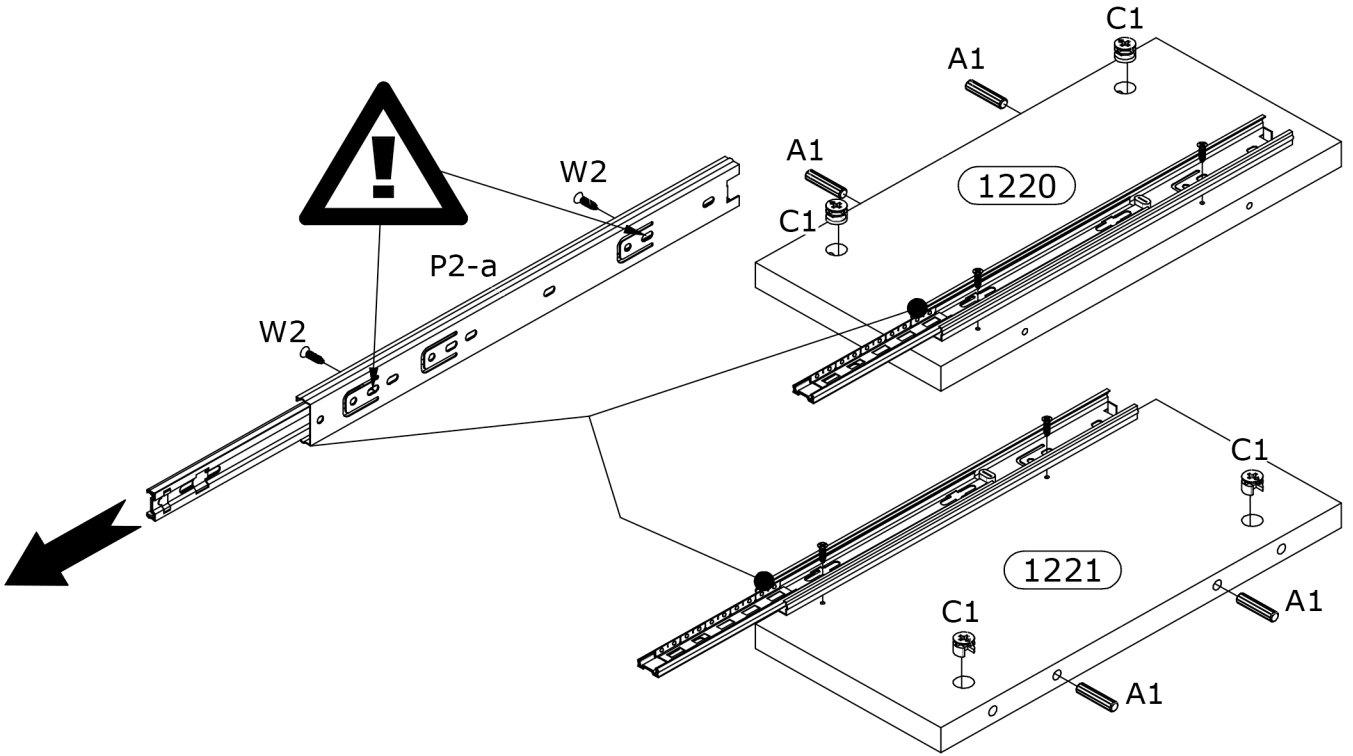
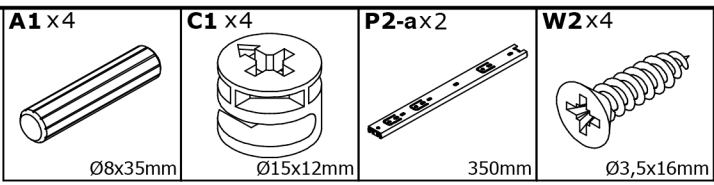


16

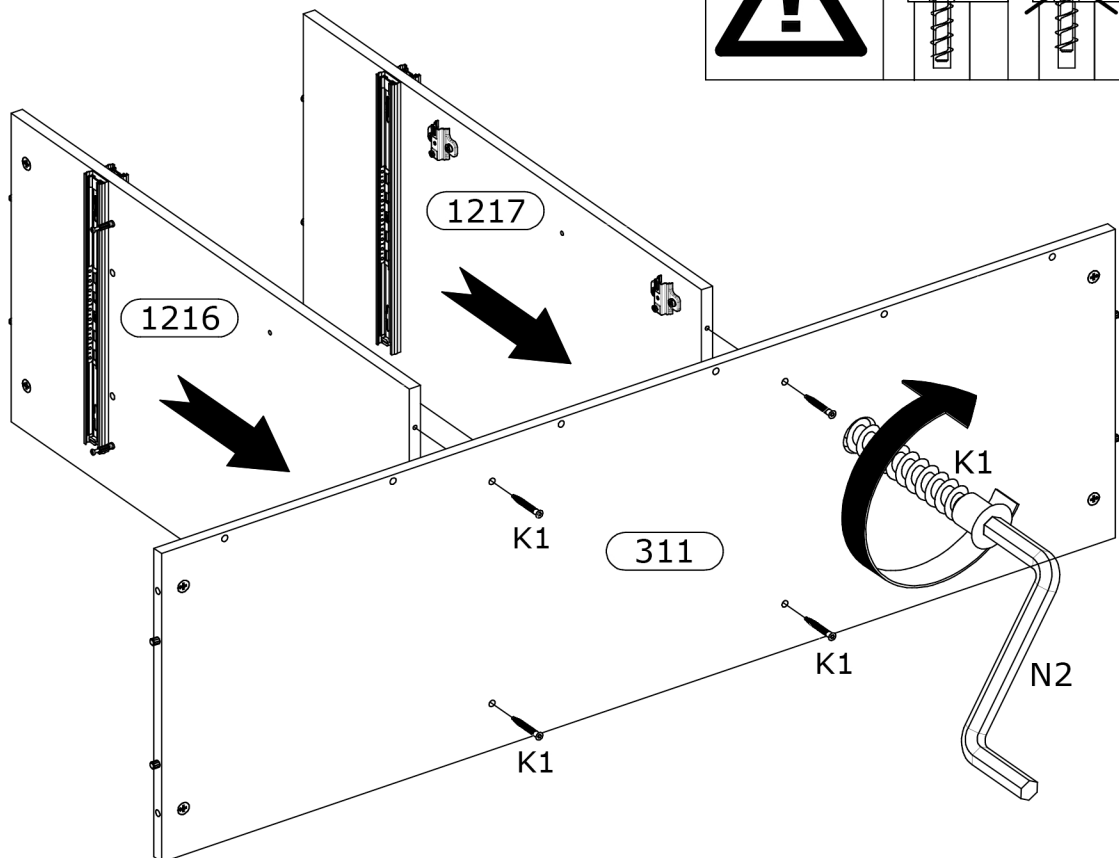
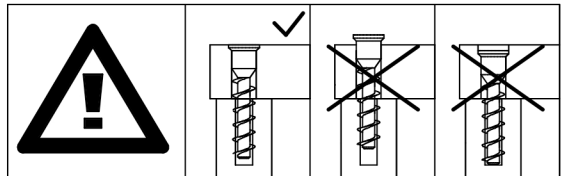
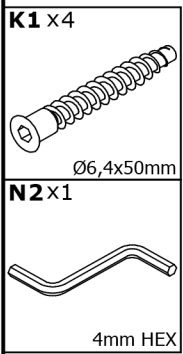
- A1** x2 $\varnothing 8 \times 35 \text{mm}$
- B1** x2 $\varnothing 5 \times 38 \text{mm}$
- C1** x2 $\varnothing 15 \times 12 \text{mm}$
- P2-a** x2 350mm
- W2** x4 $\varnothing 3,5 \times 16 \text{mm}$
- Z1** x2 50x40, H=2



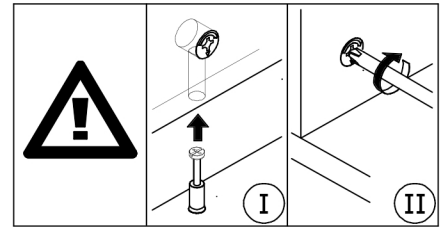
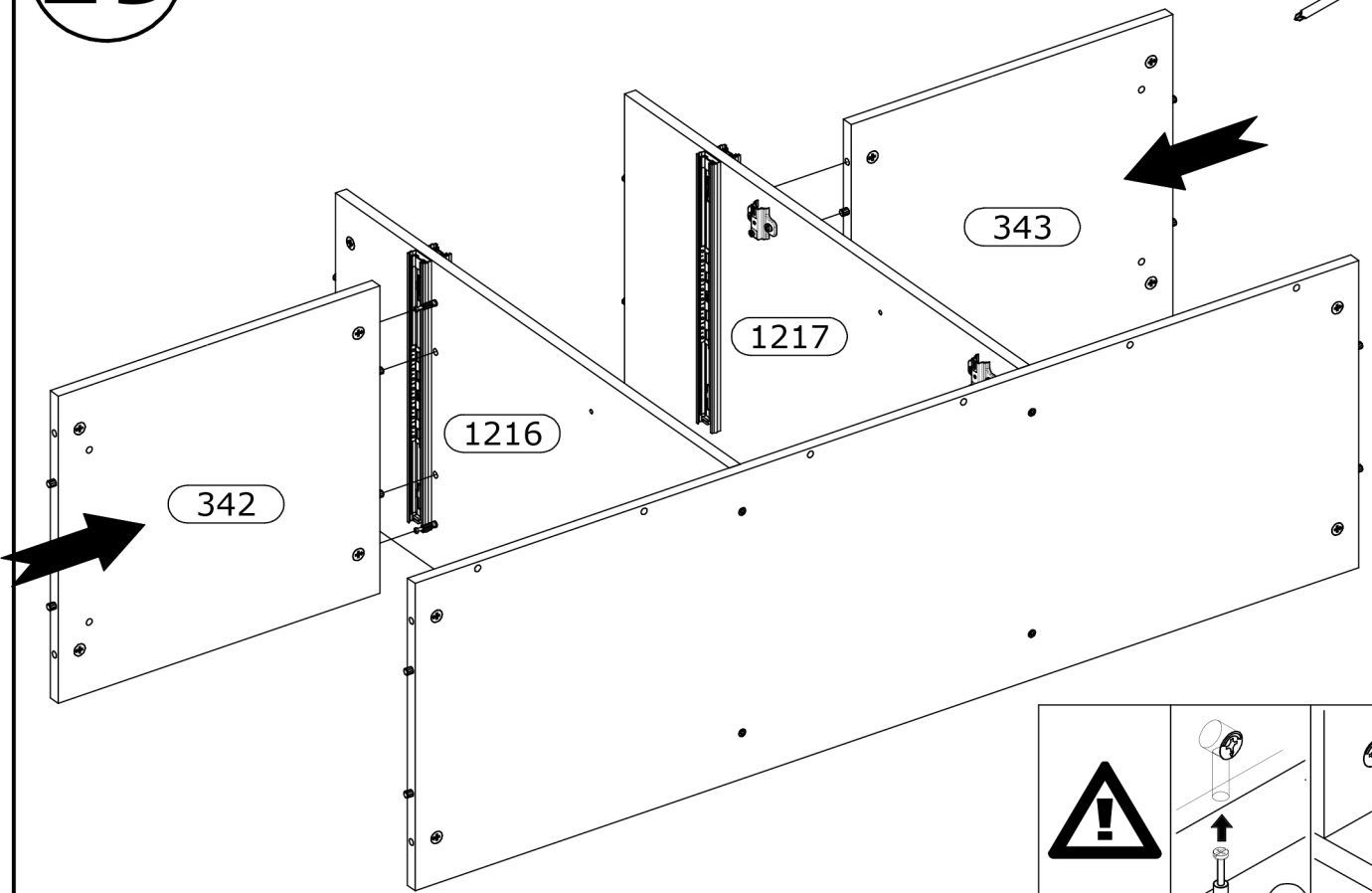
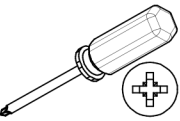
17



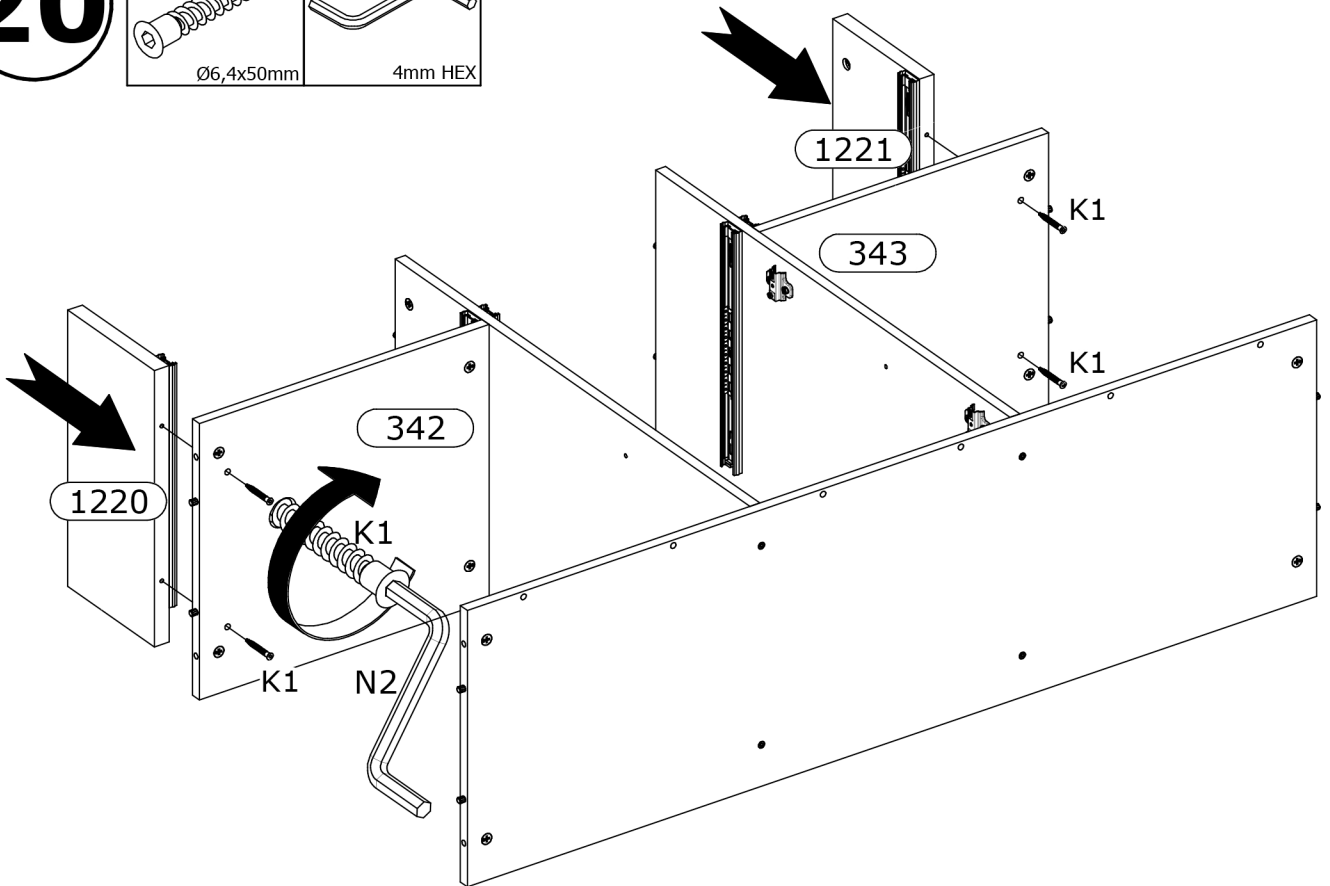
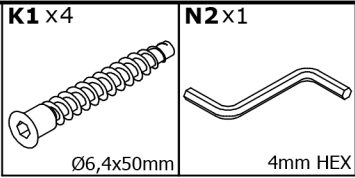
18



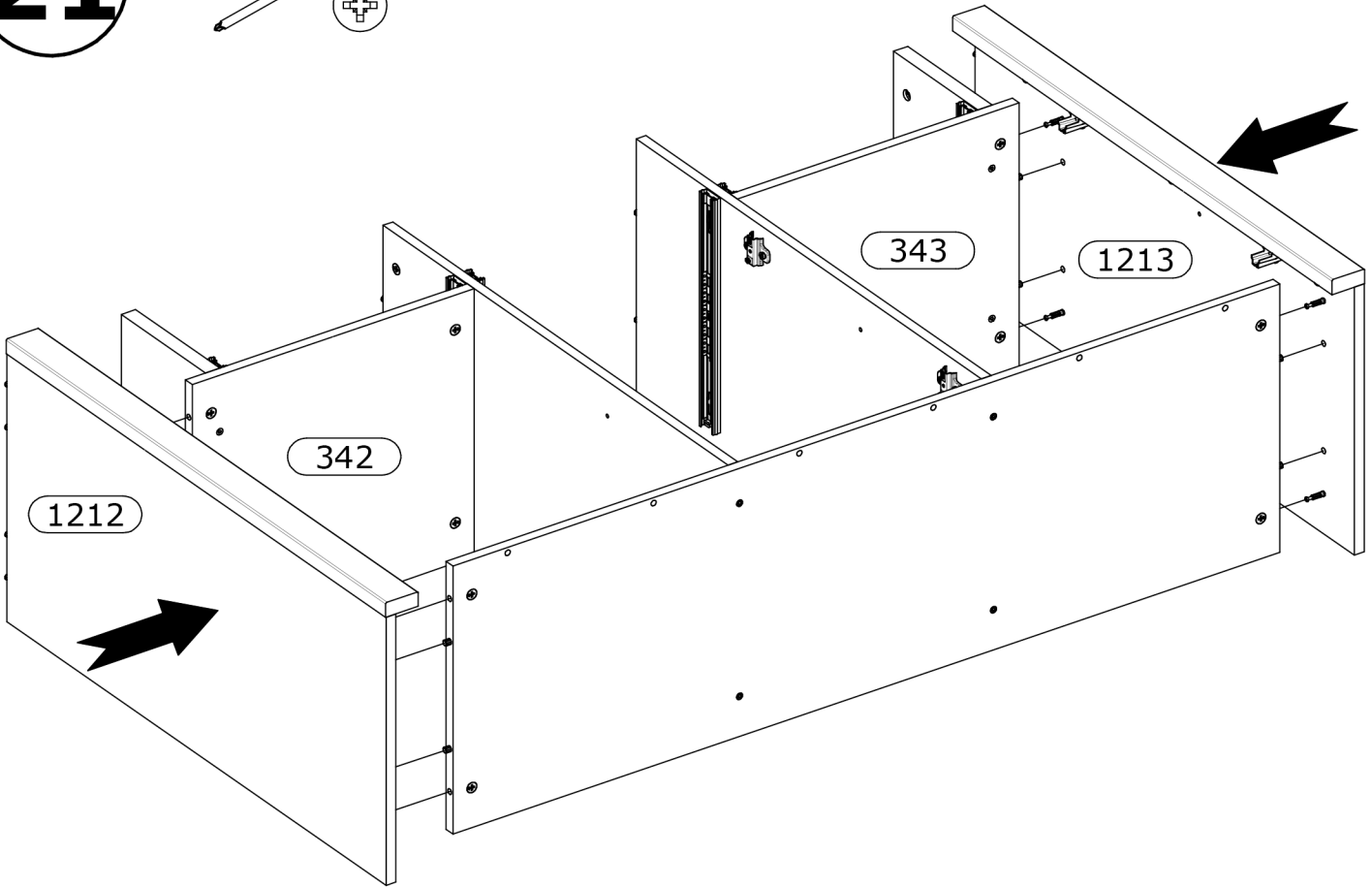
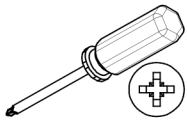
19



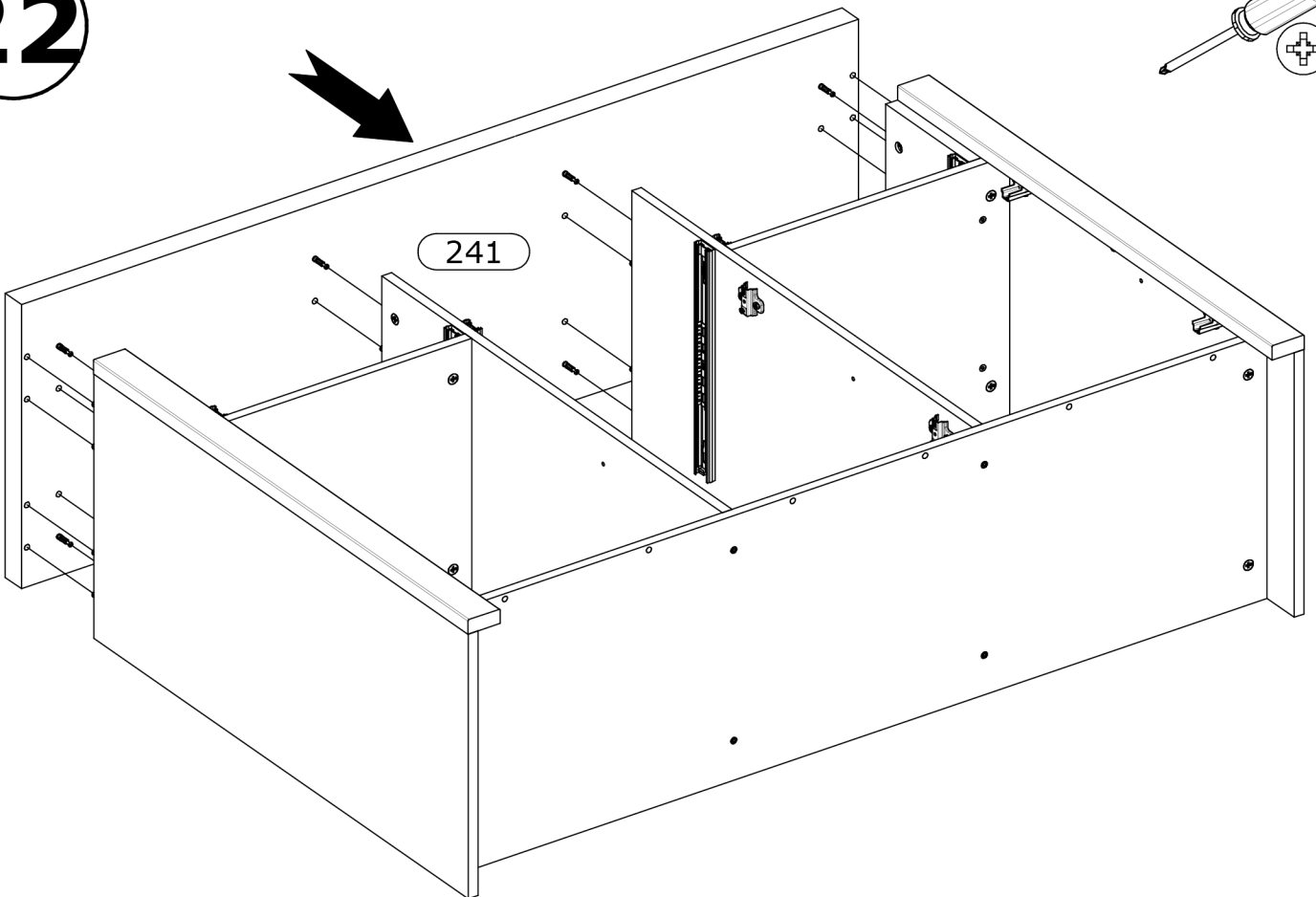
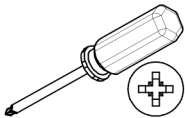
20



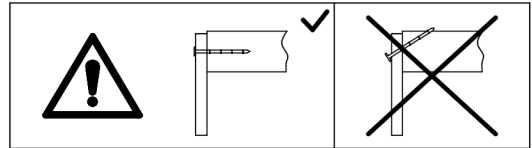
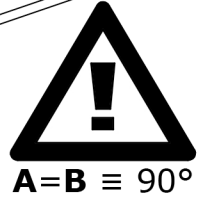
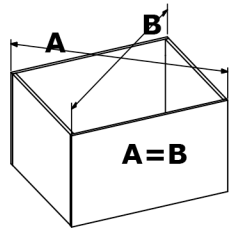
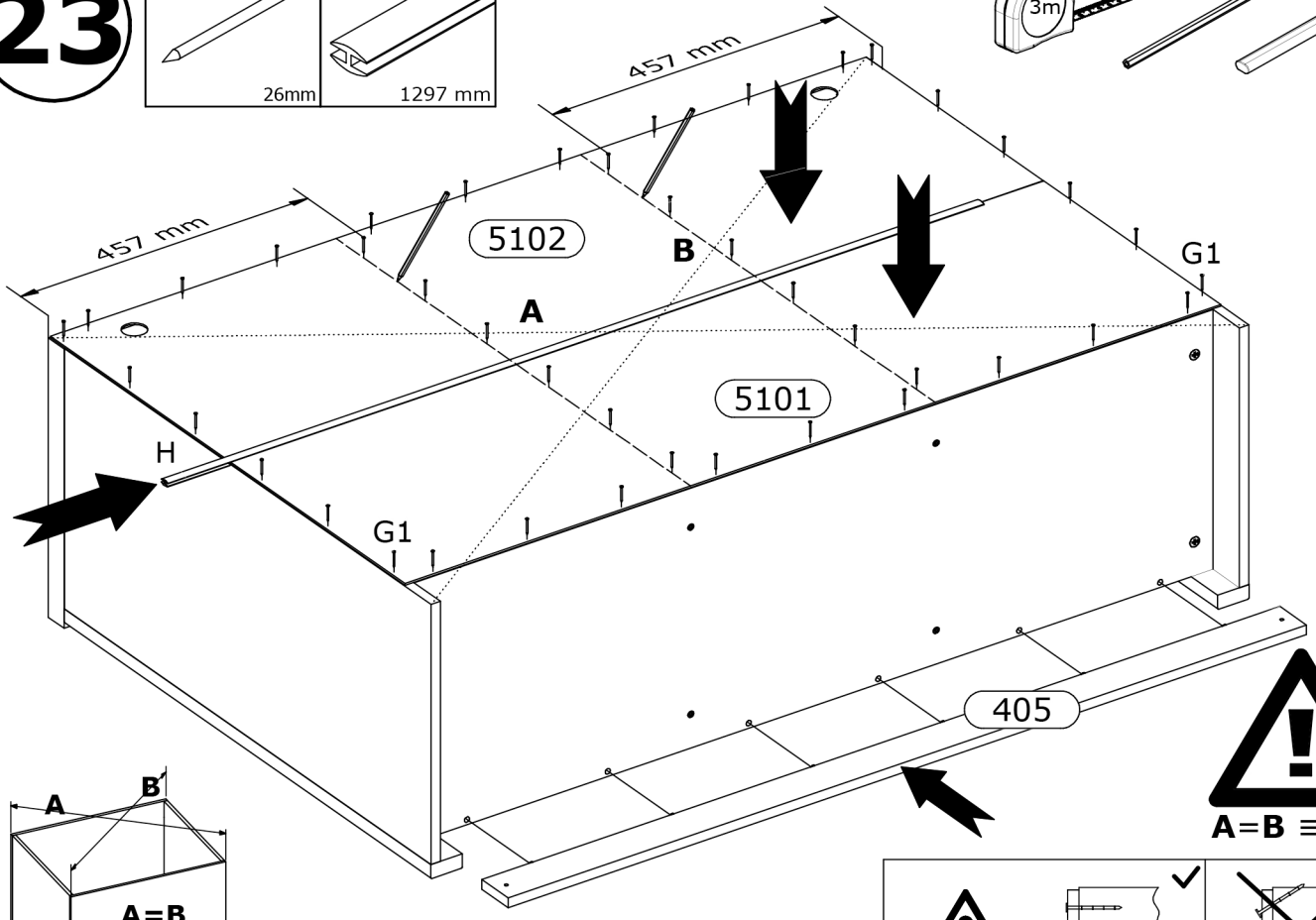
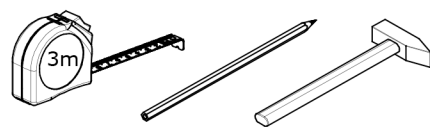
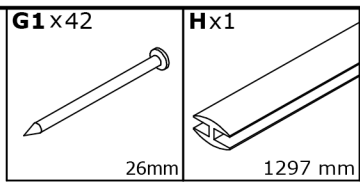
21



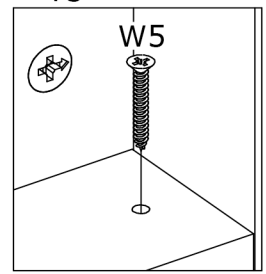
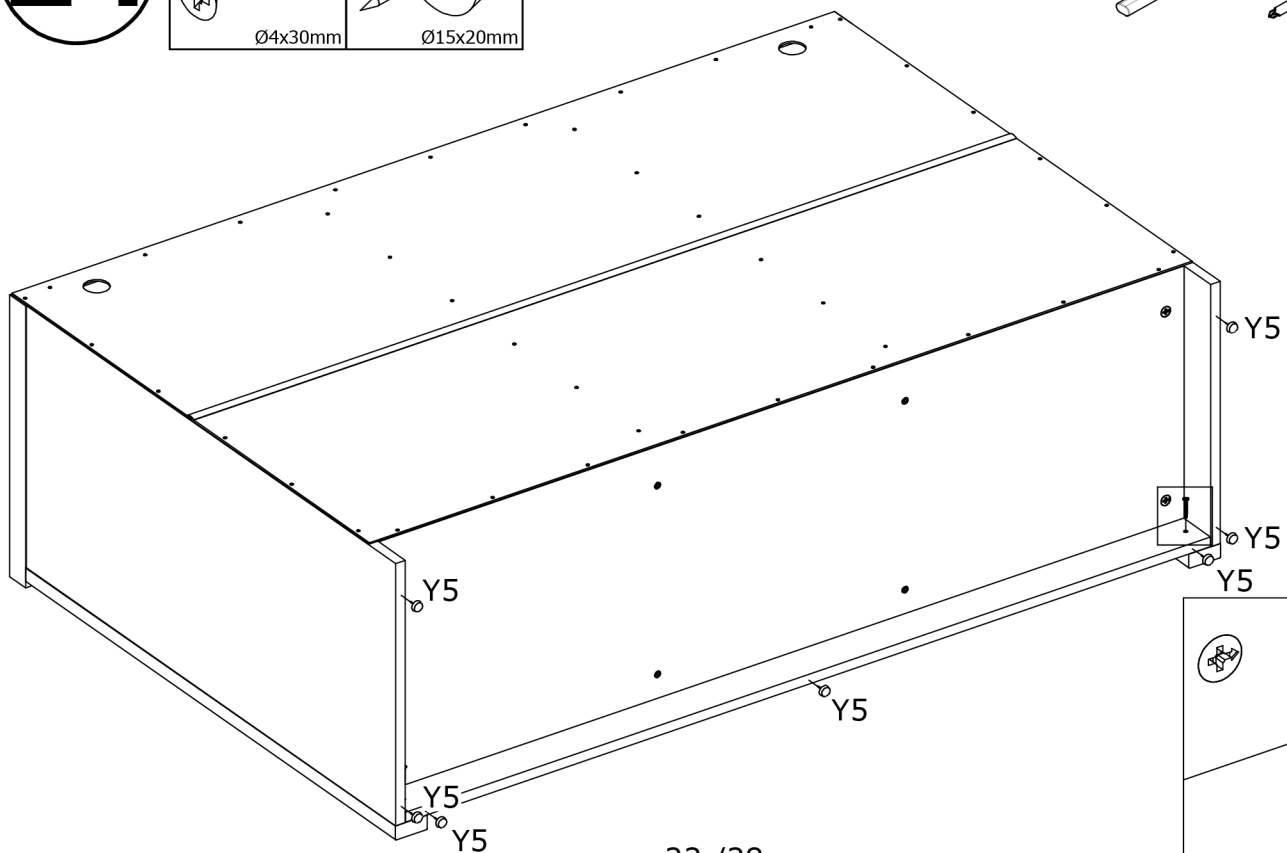
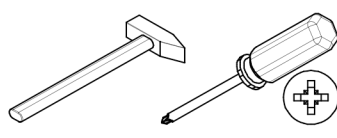
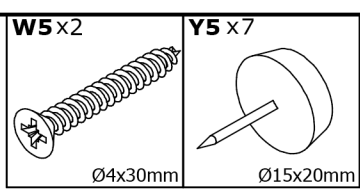
22



23



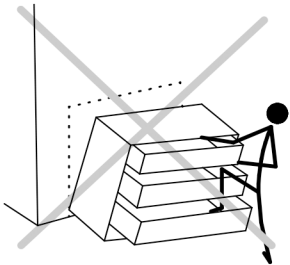
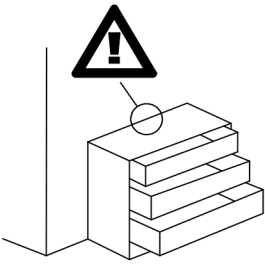
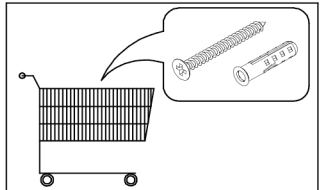
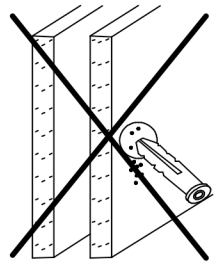
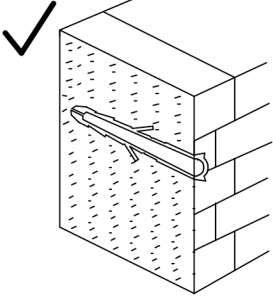
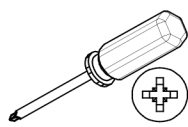
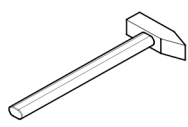
24

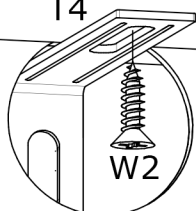
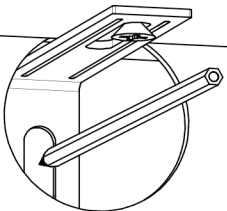
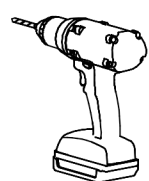
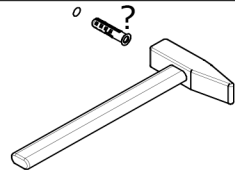
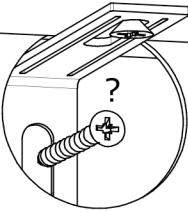
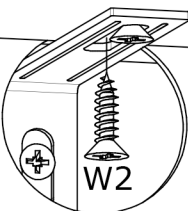


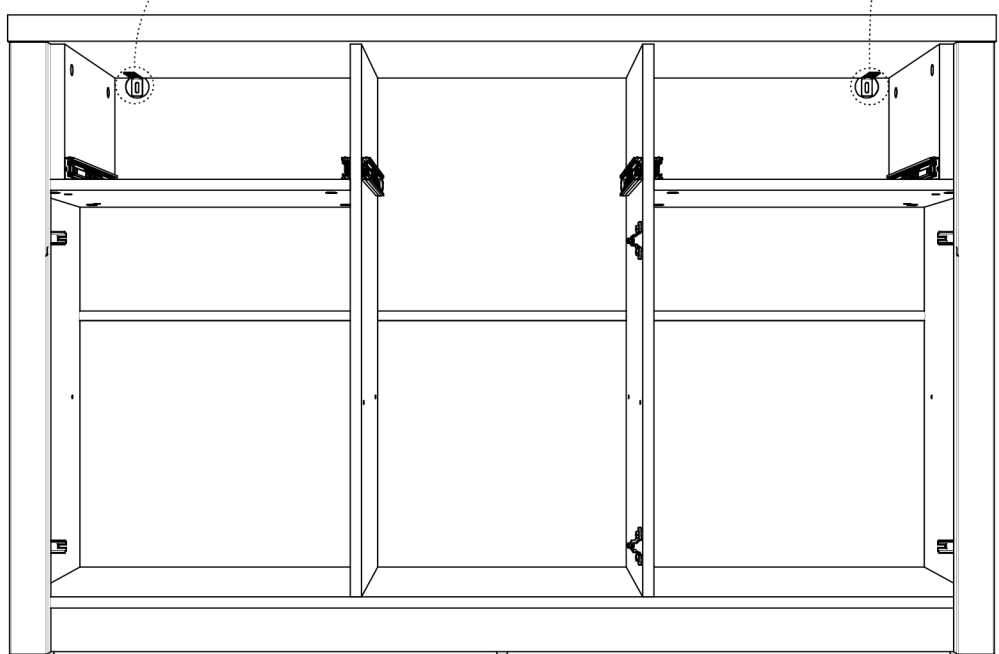
25

T4 x2
75x28x16 mm

W2 x4
Ø3,5x16mm

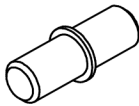


- I  T4
W2
- II 
- III  +
- IV  ?
- V  ?
- VI  W2



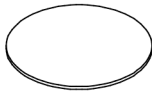
26

E1 x12

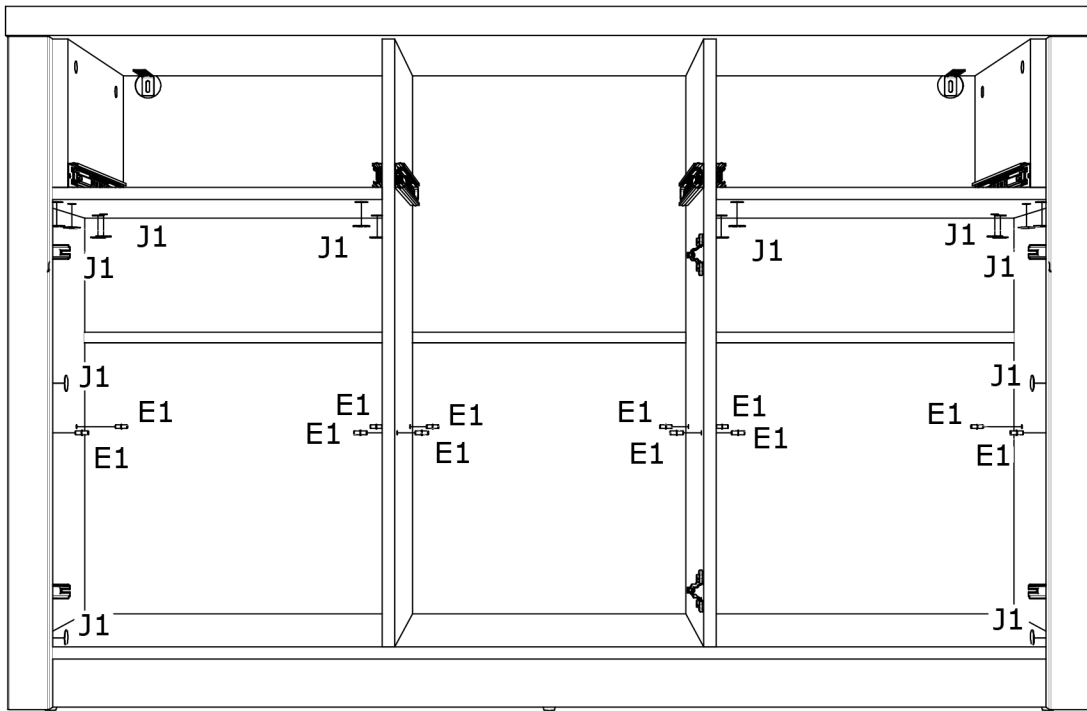
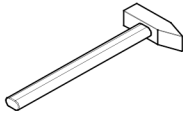


Ø5x16mm

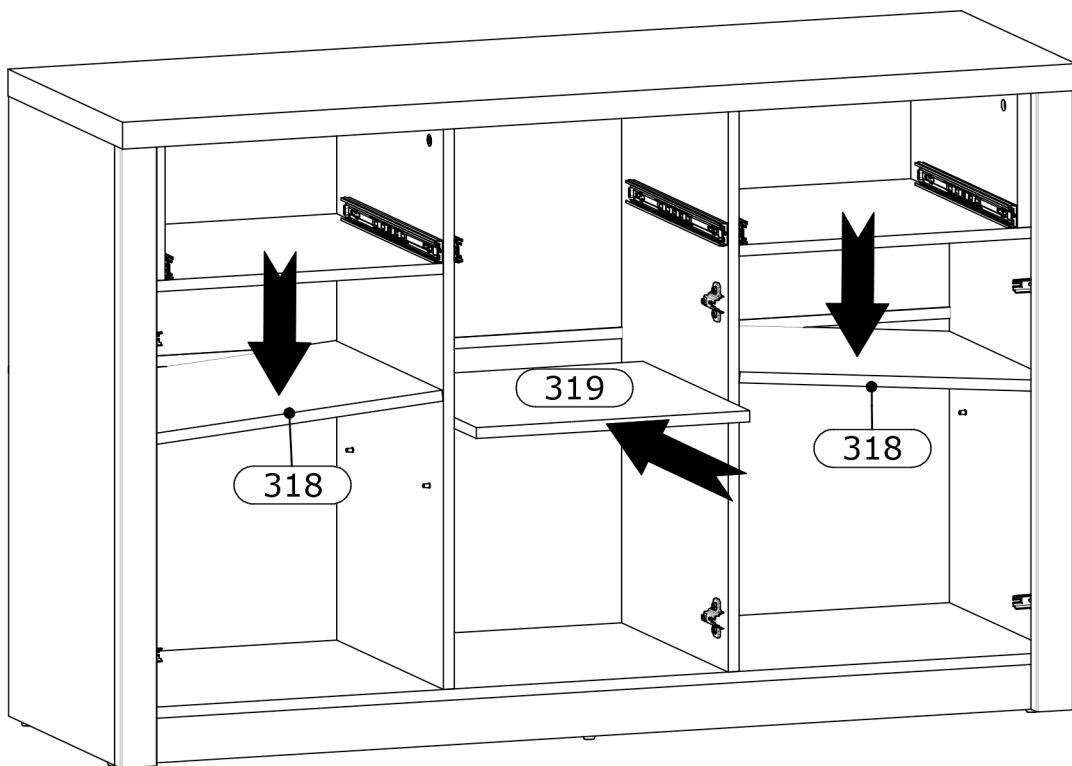
J1 x16



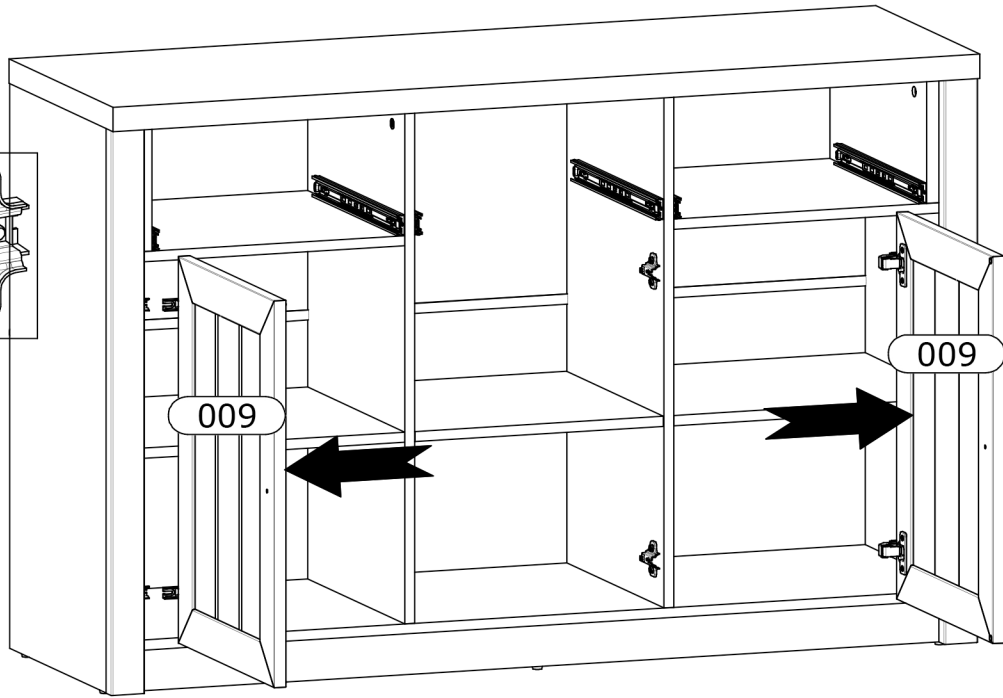
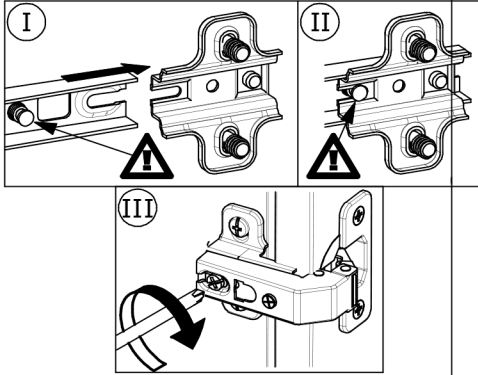
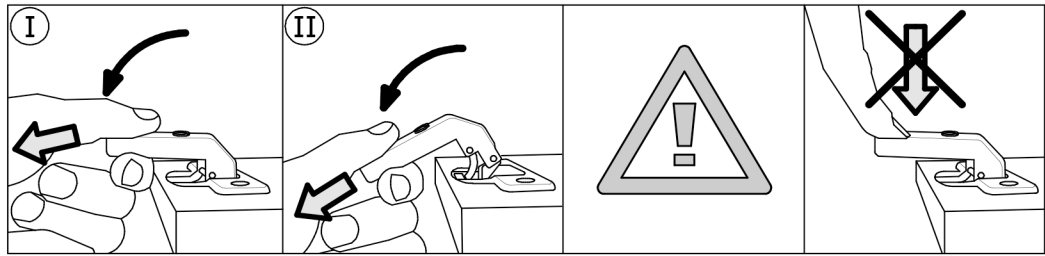
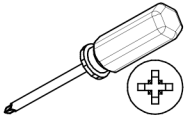
Ø21mm



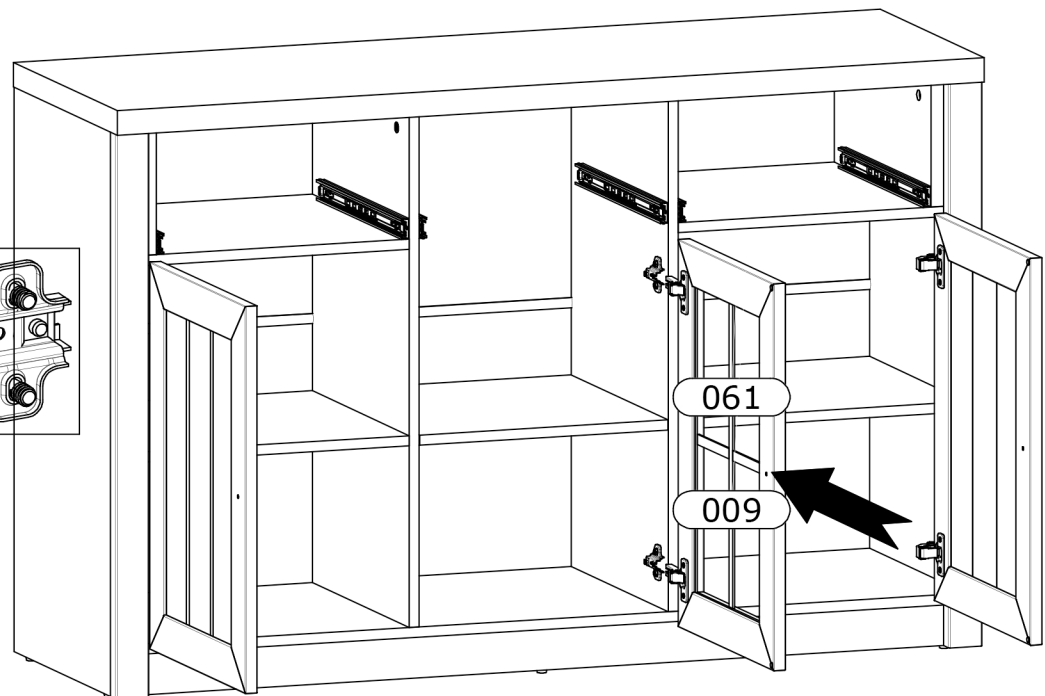
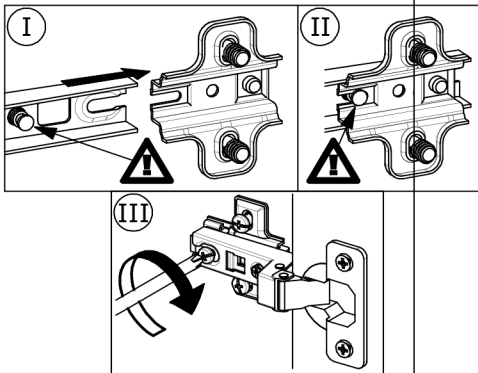
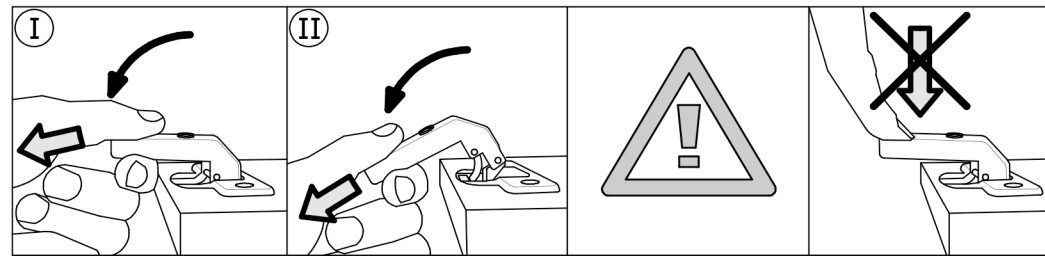
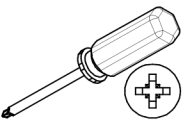
27



28



29



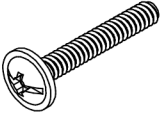
30

U1 x 3

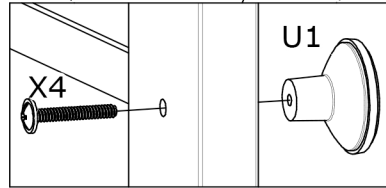
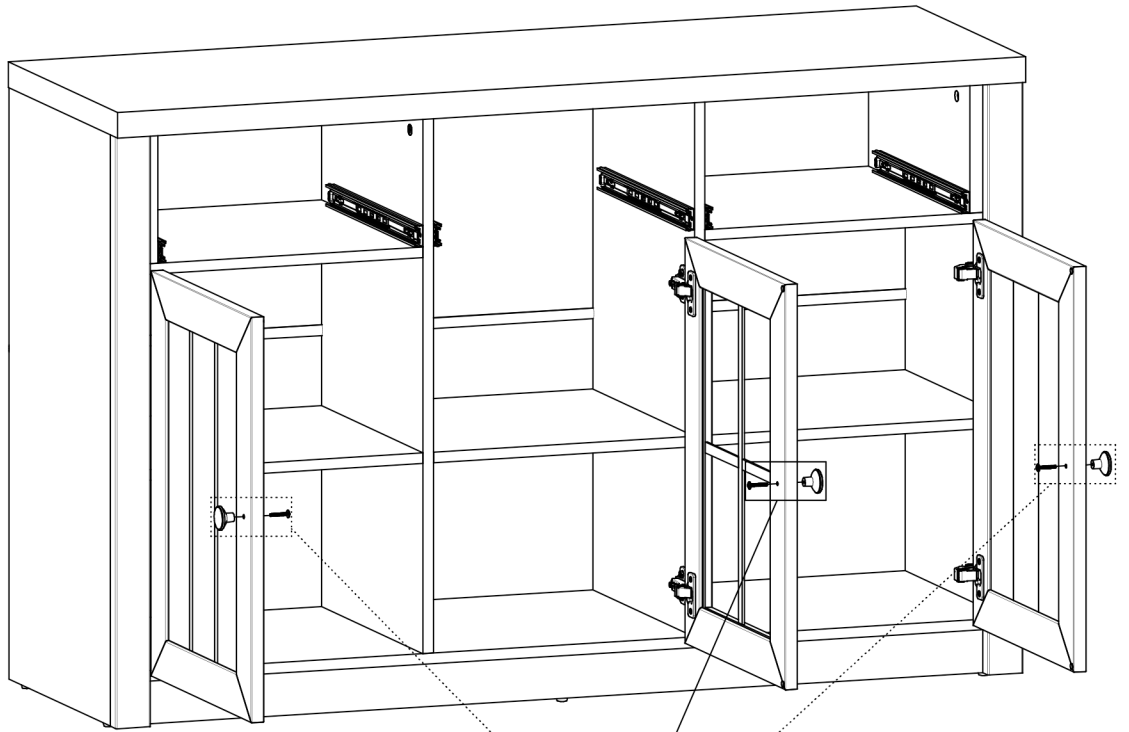
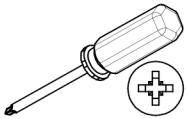


Ø33mm

X4 x 3

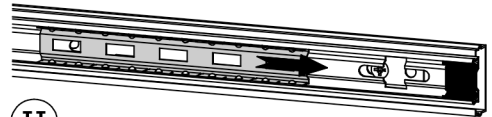


M4x25mm

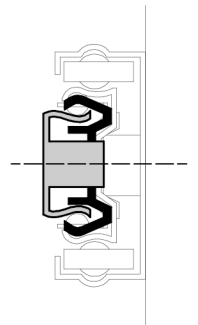
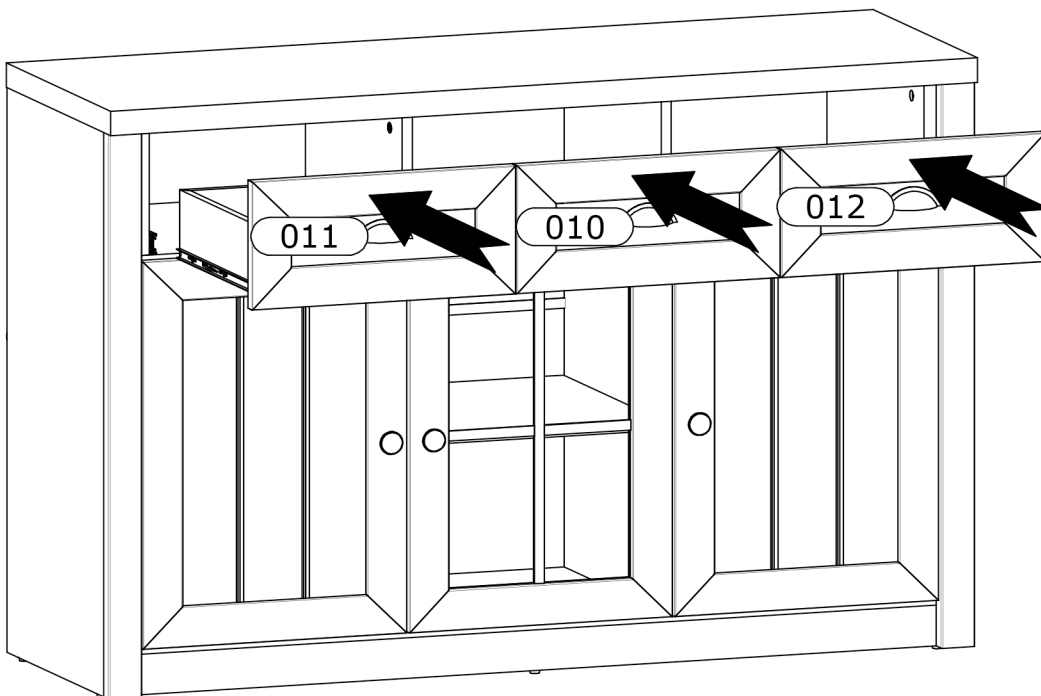
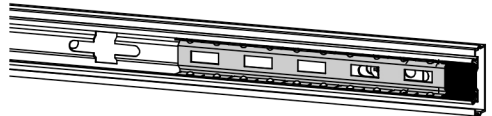


31

I



II



32

