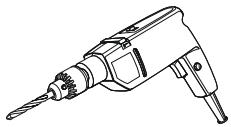
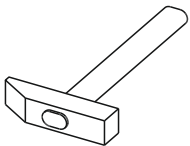
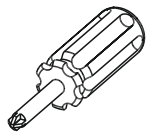
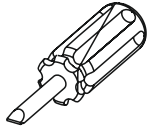
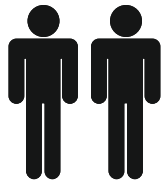


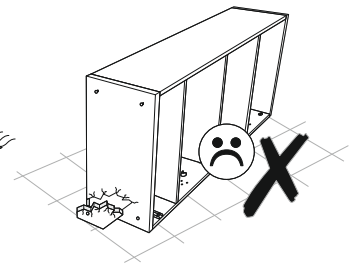
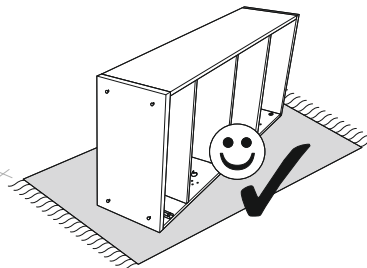
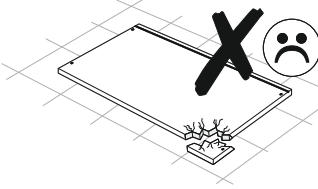
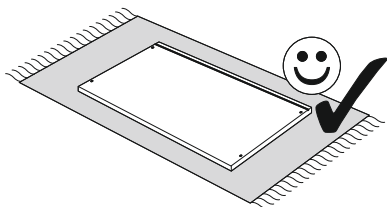
LEONARDO LYOV04 L

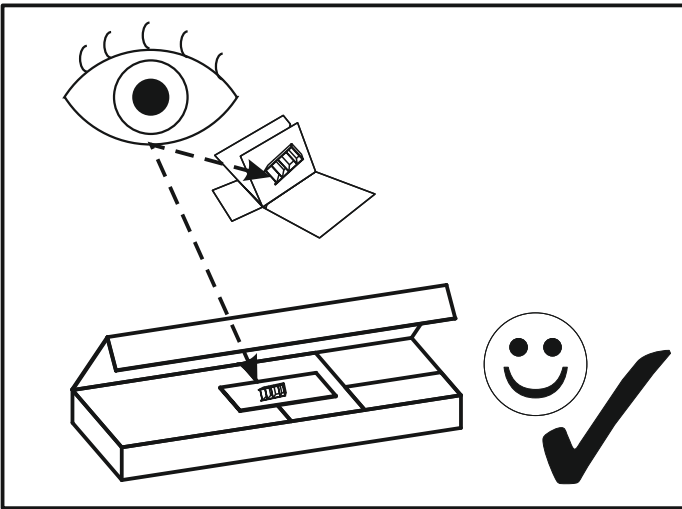


123.6 cm

42 cm

107.5cm







MM

260

250

240

230

220

210

200

190

180

170

160

150

140

130

120

110

100

90

80

70

60

50

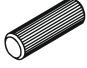


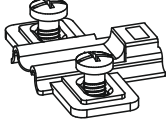
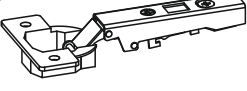

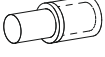
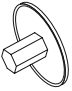

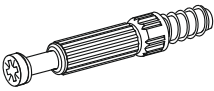
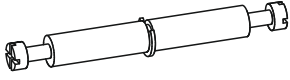
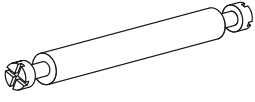
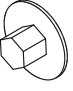
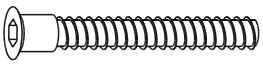

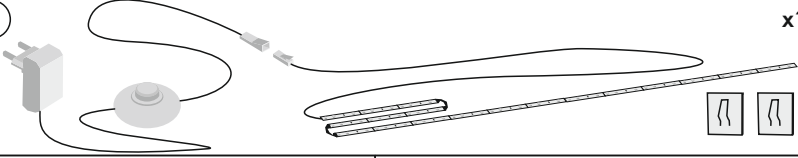
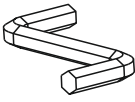
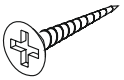
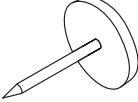
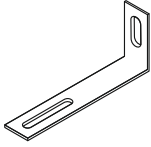
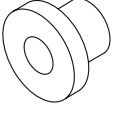
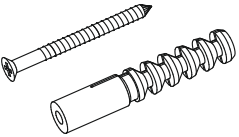
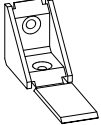
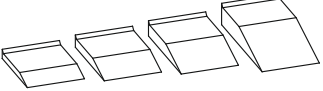
40

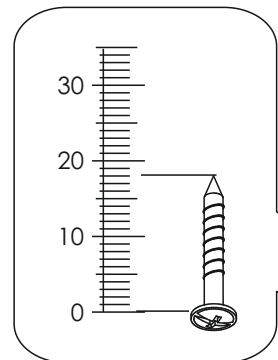
30

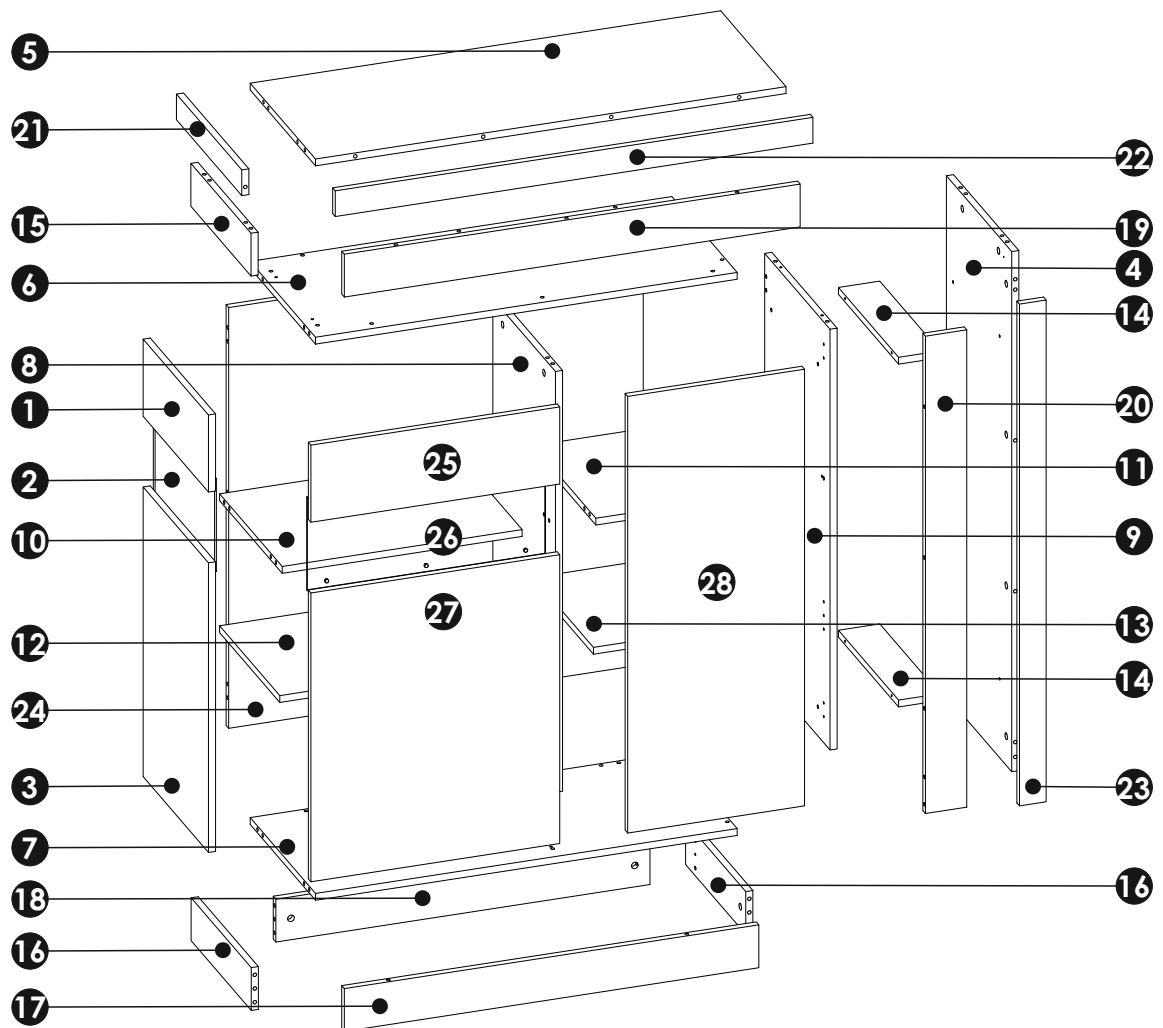
20

10

0

A1 8 x 35 mm x51 	A2 8 x 45 mm x2 	A3 8 x 60 mm x2 
B0  x5	BC11  x5	C1 4 x 13 mm x10 
D2  x8	E0  x41	E1 15 x 12 mm x54 
F1 6 x 34 mm x46 	F3 7 x 58 mm x2 	F4 7 x 76 mm x2 
G0  x17	G1 7 x 50 mm x17 	I2 4 x 16 mm x12 
L  x1	M  x1	
N2 3,5 X 16 mm x16 	O2  x6	Q9  x2
R3  x10	S13  x2	W  x8
Z  x1		

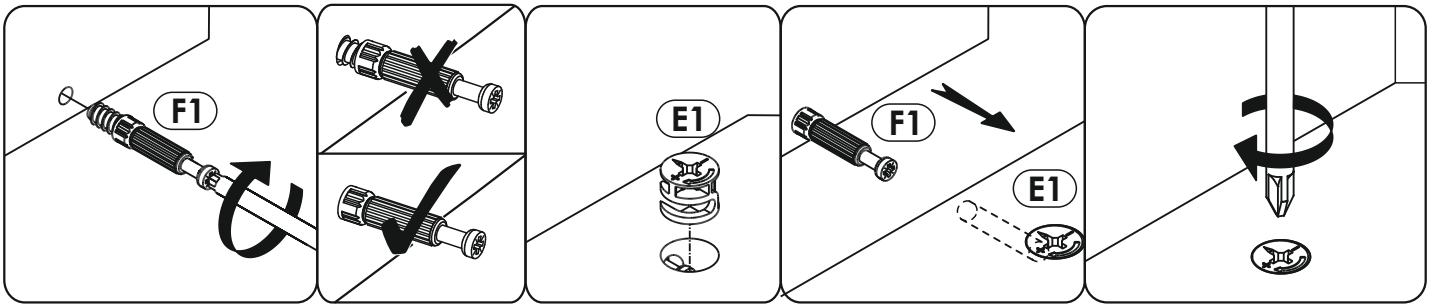




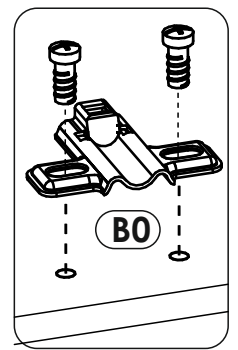
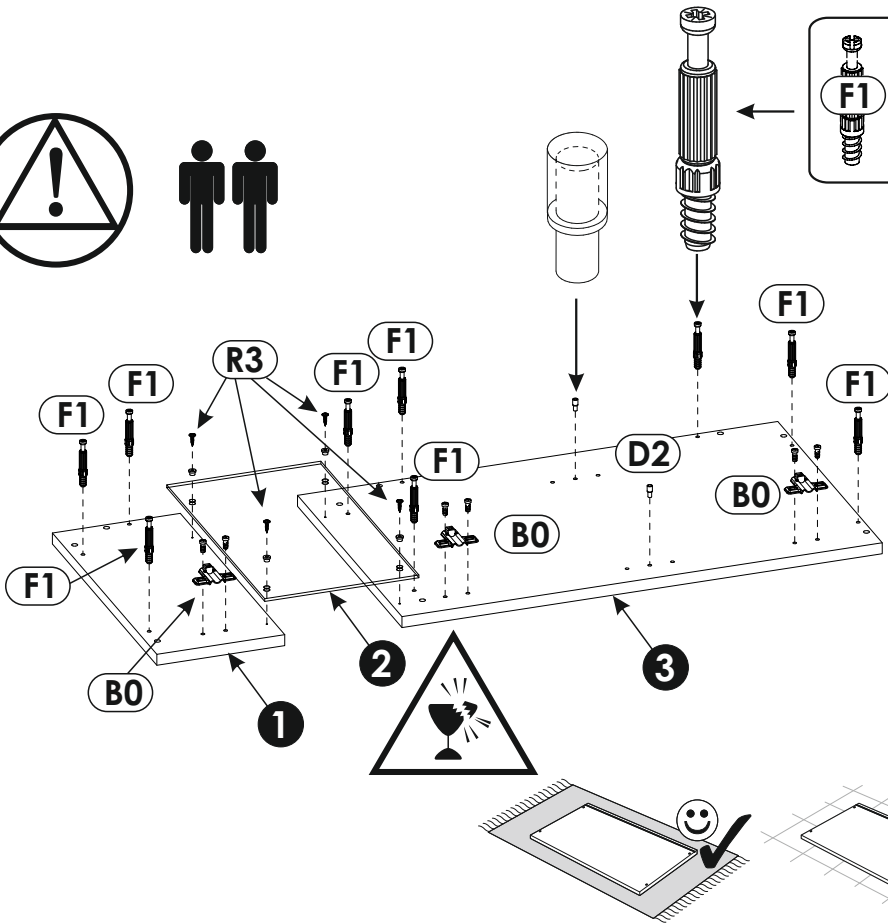
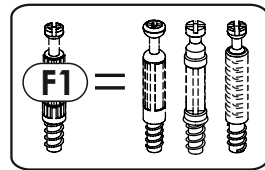
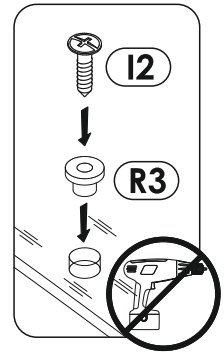
1	180	404	16	x1	1/3
2	379	217	4	x1	1/3
3	676	404	16	x1	1/3
4	1214	404	16	x1	1/3
5	1059	404	16	x1	1/3
6	949	404	16	x1	2/3
7	949	404	16	x1	2/3
8	982	387	16	x1	2/3
9	982	404	16	x6	2/3
10	540	387	16	x1	1/3

11	377	387	16	x1	1/3
12	540	369	16	x1	1/3
13	377	369	16	x1	1/3
14	372	93	16	x2	1/3
15	372	100	16	x1	1/3
16	372	100	16	x2	1/3
17	933	100	16	x1	3/3
18	842	100	16	x1	3/3
19	1026	100	16	x1	3/3
20	1114	93	16	x1	3/3

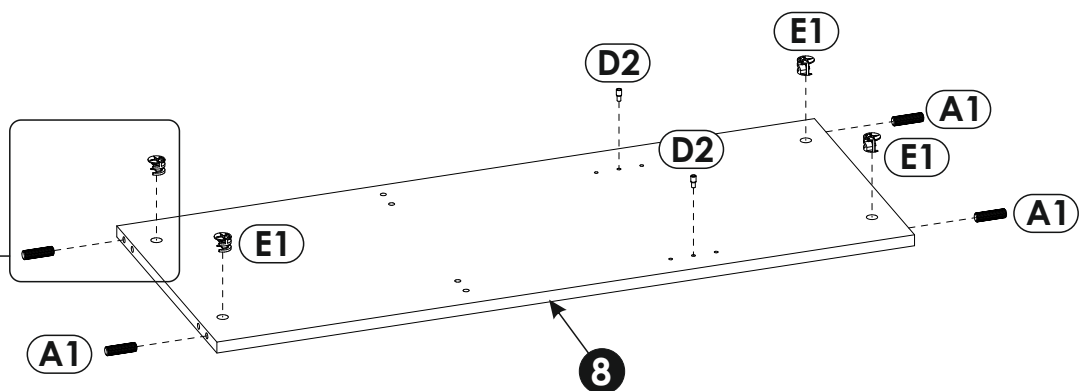
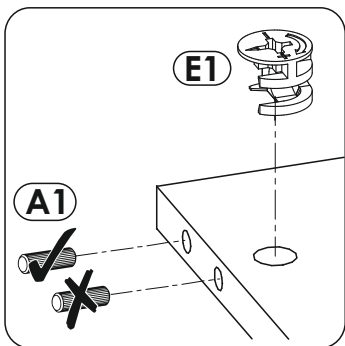
21	404	60	16	x1	1/3
22	1075	60	16	x1	3/3
23	1171	60	16	x1	3/3
24	982	933	16	x1	3/3
25	560	180	16	x1	3/3
26	536	217	4	x1	1/3
27	560	674	16	x1	3/3
28	1019	398	16	x1	3/3



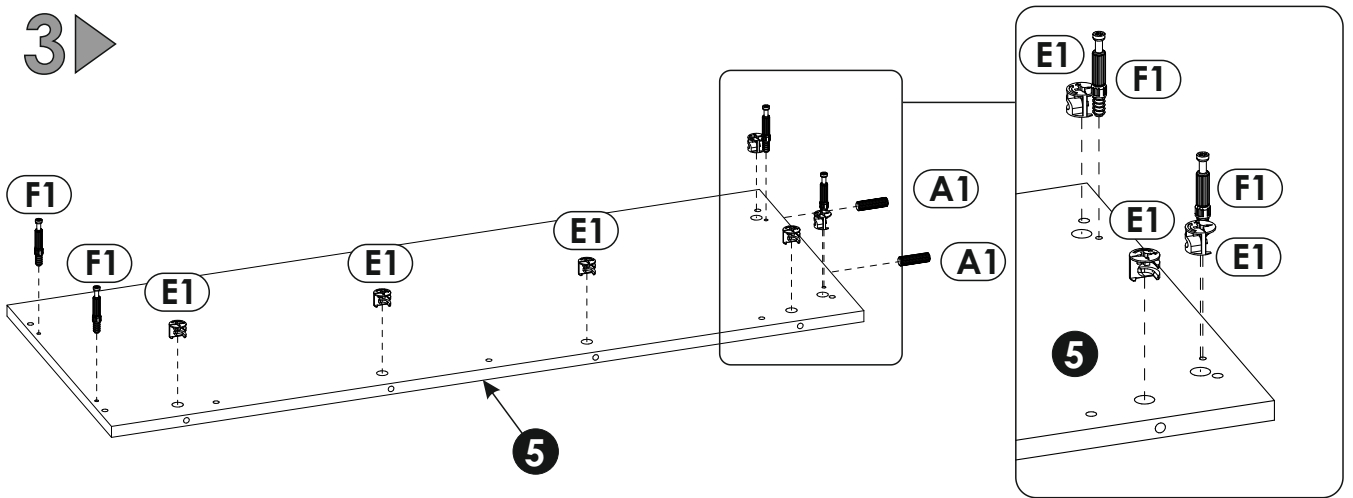
1 ▶



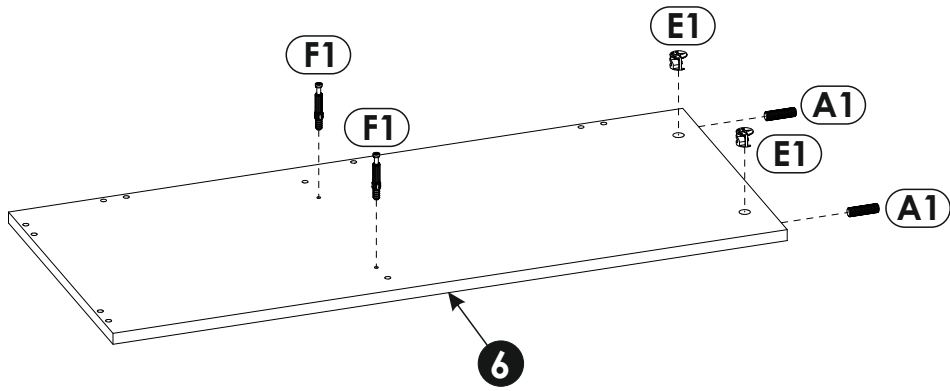
2 ▶



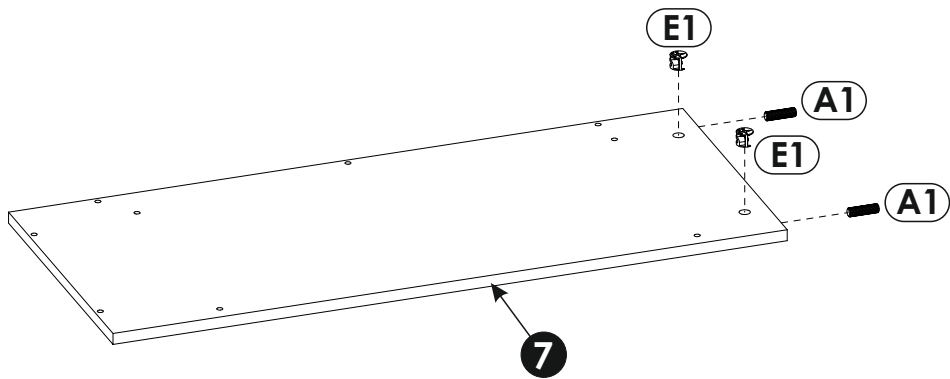
3 ▶



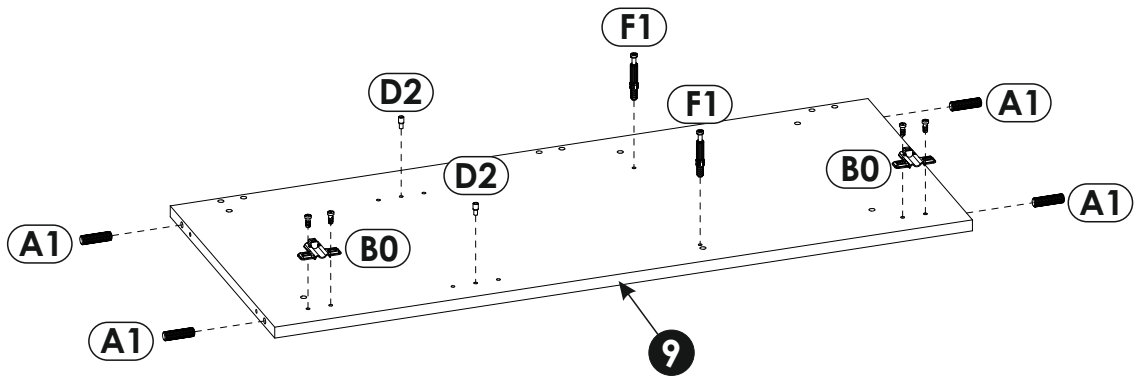
4 ▶



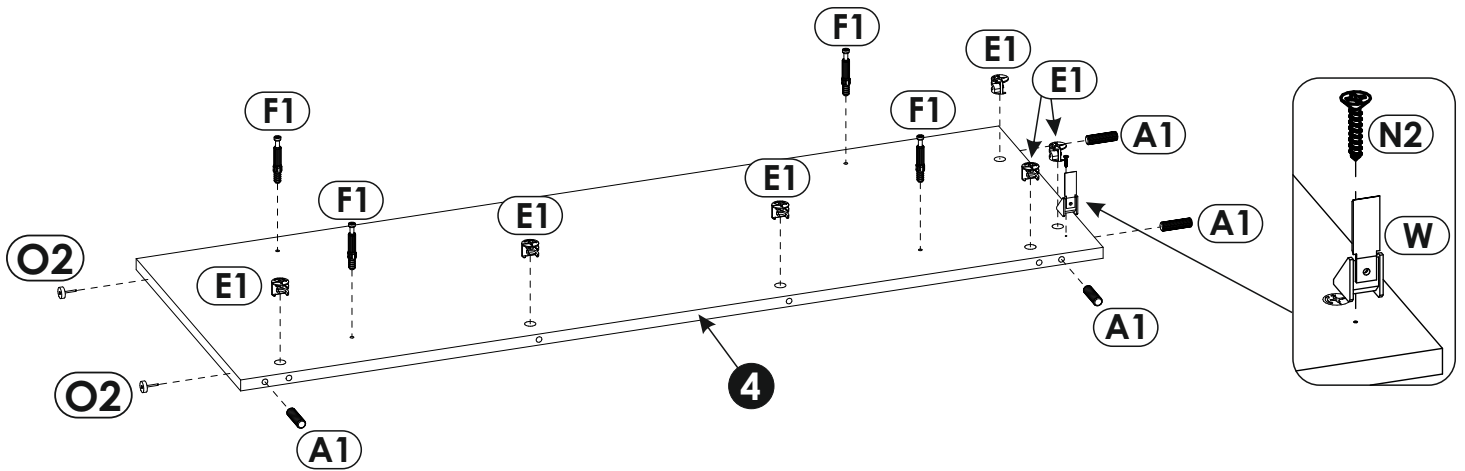
5 ▶



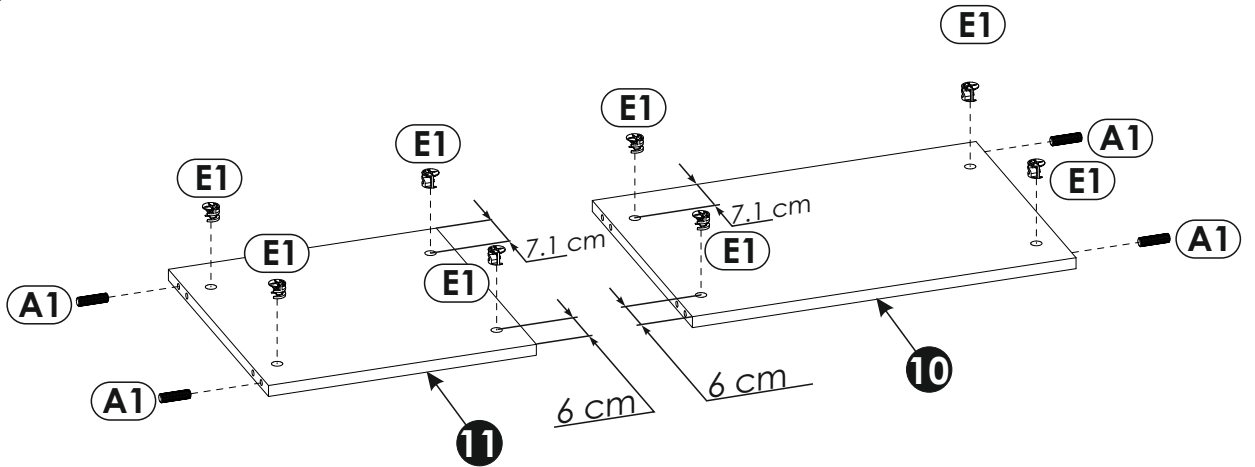
6 ▶

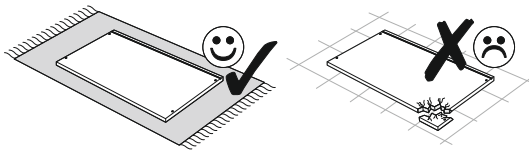
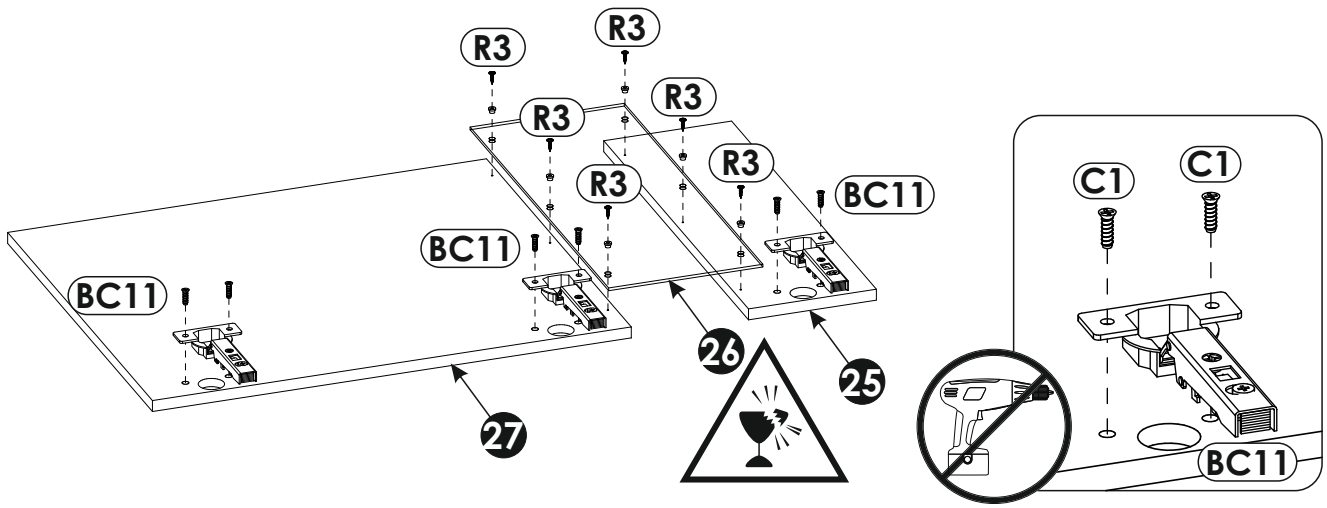


7 ▶

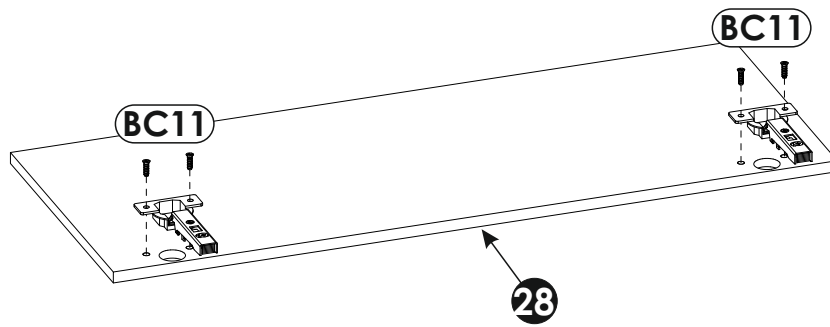


8 ▶

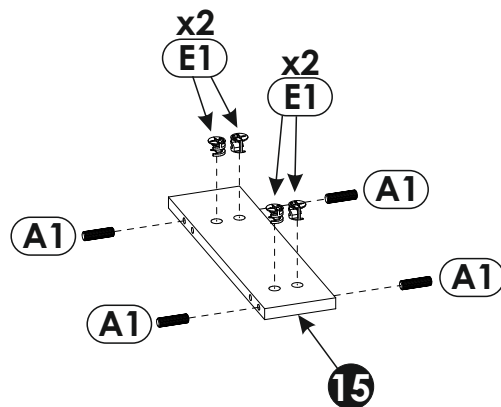




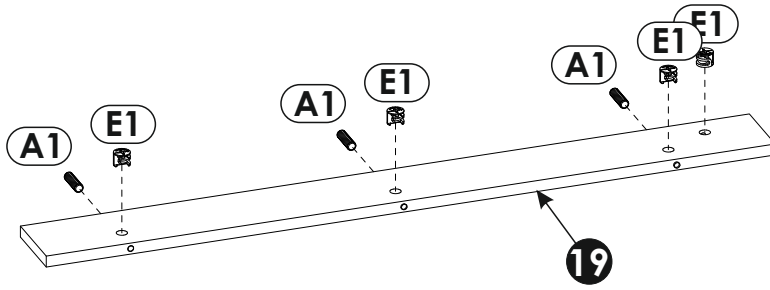
10 ▶



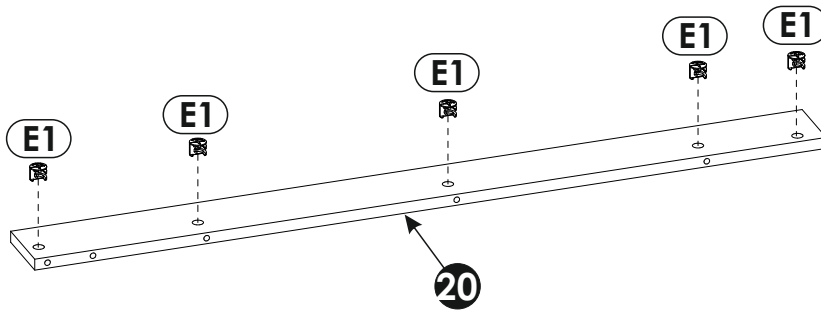
11 ▶



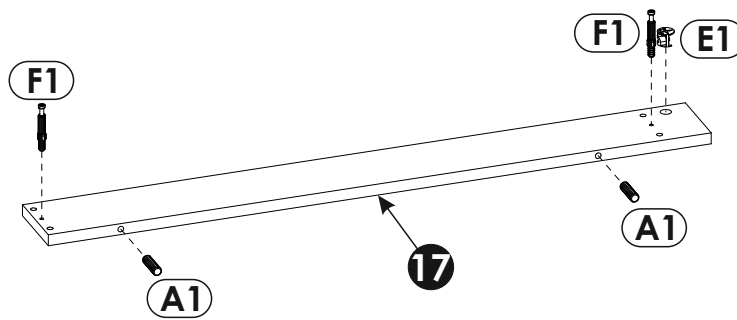
12▶



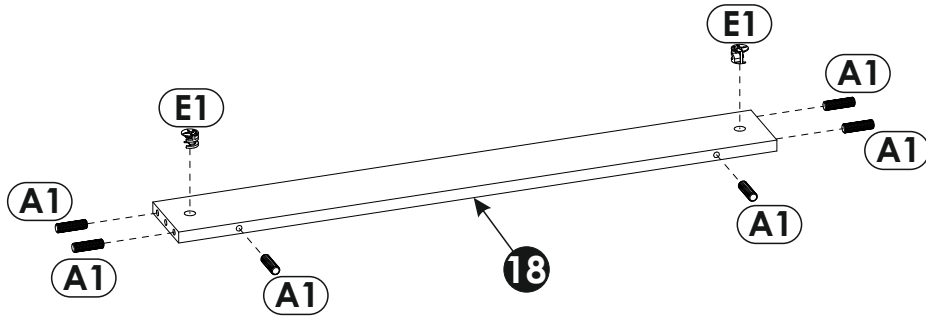
13▶



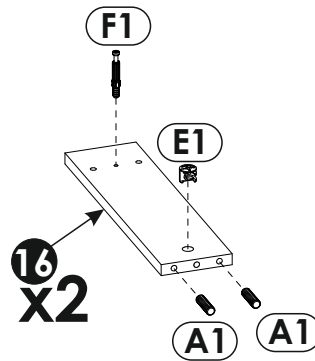
14▶



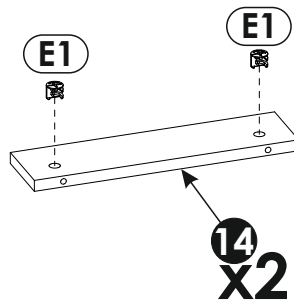
15▶



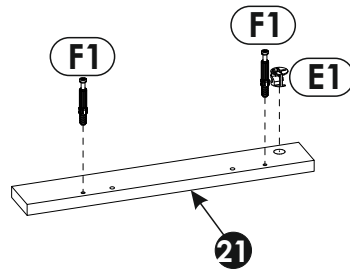
16▶



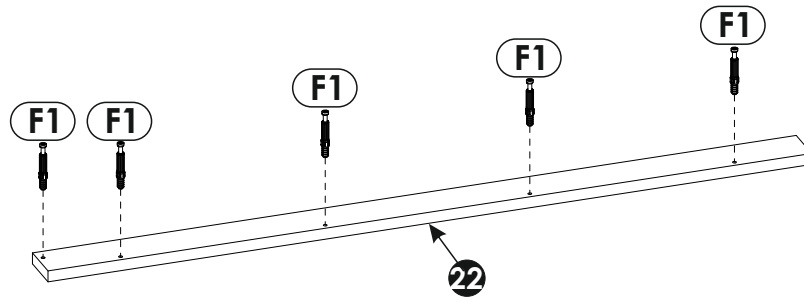
17▶



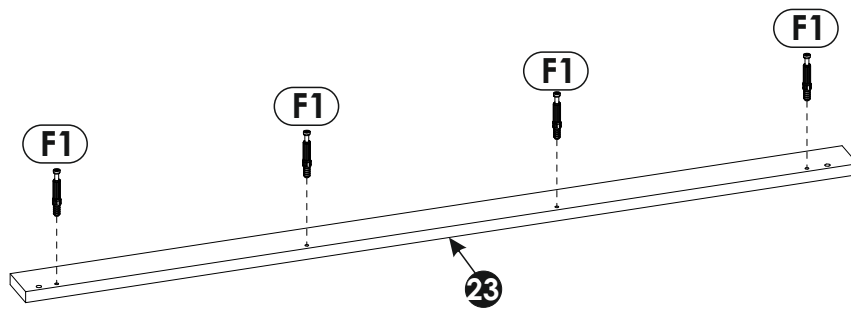
18▶



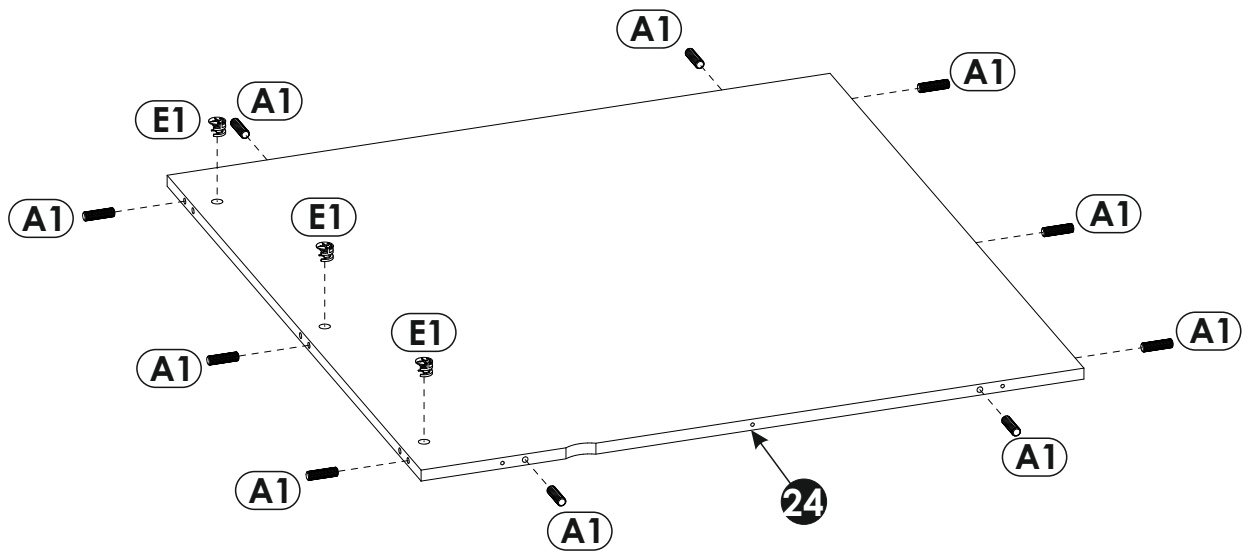
19▶



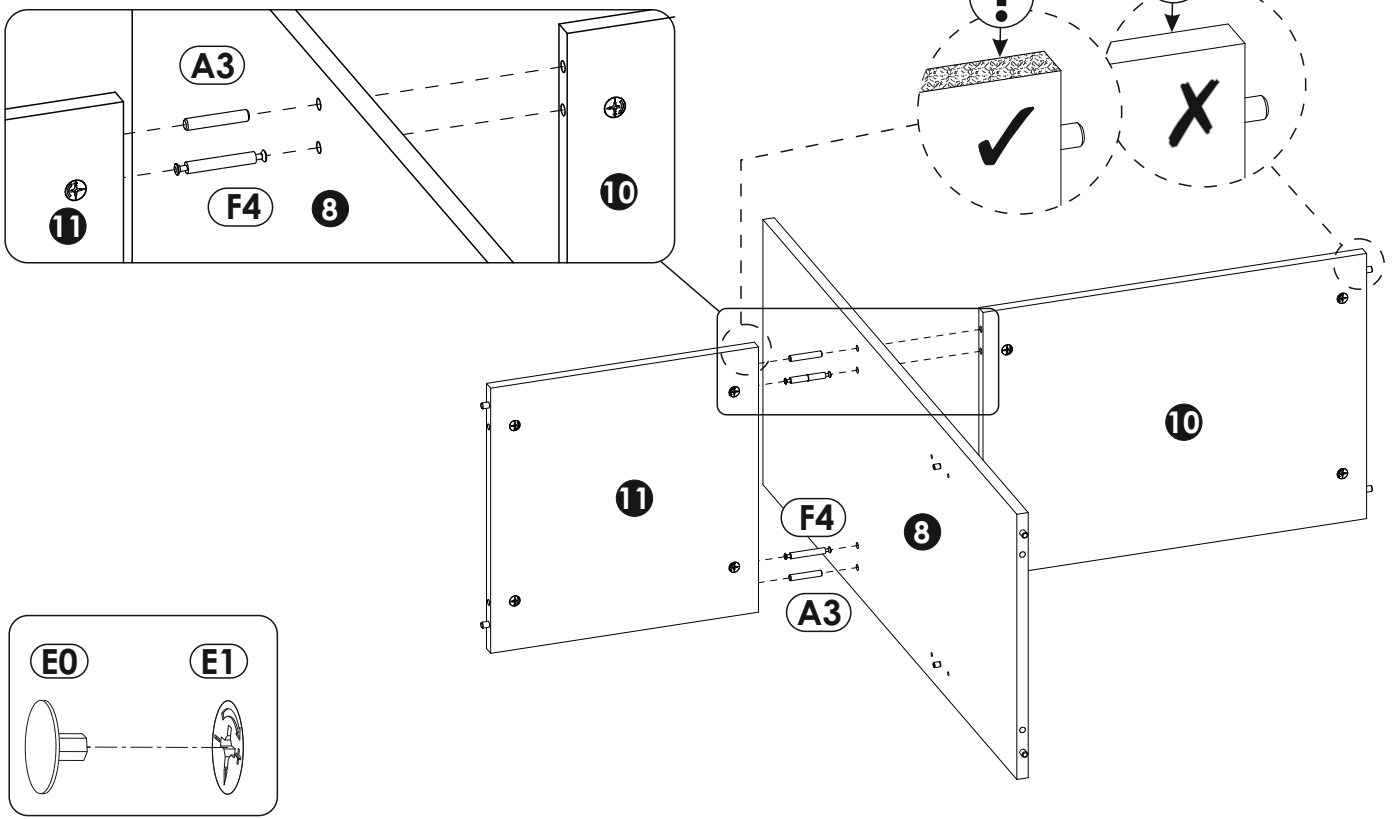
20▶



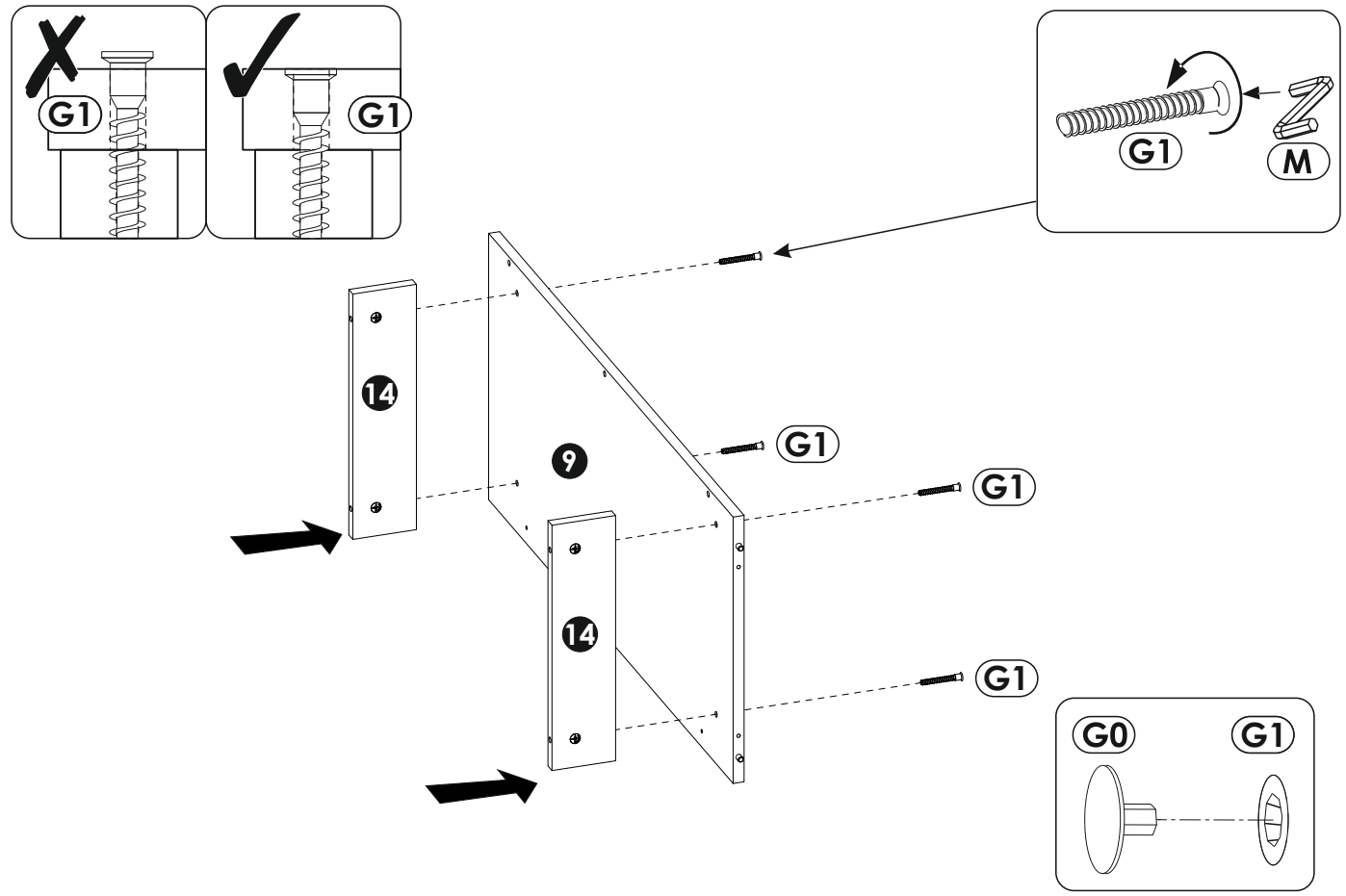
21▶



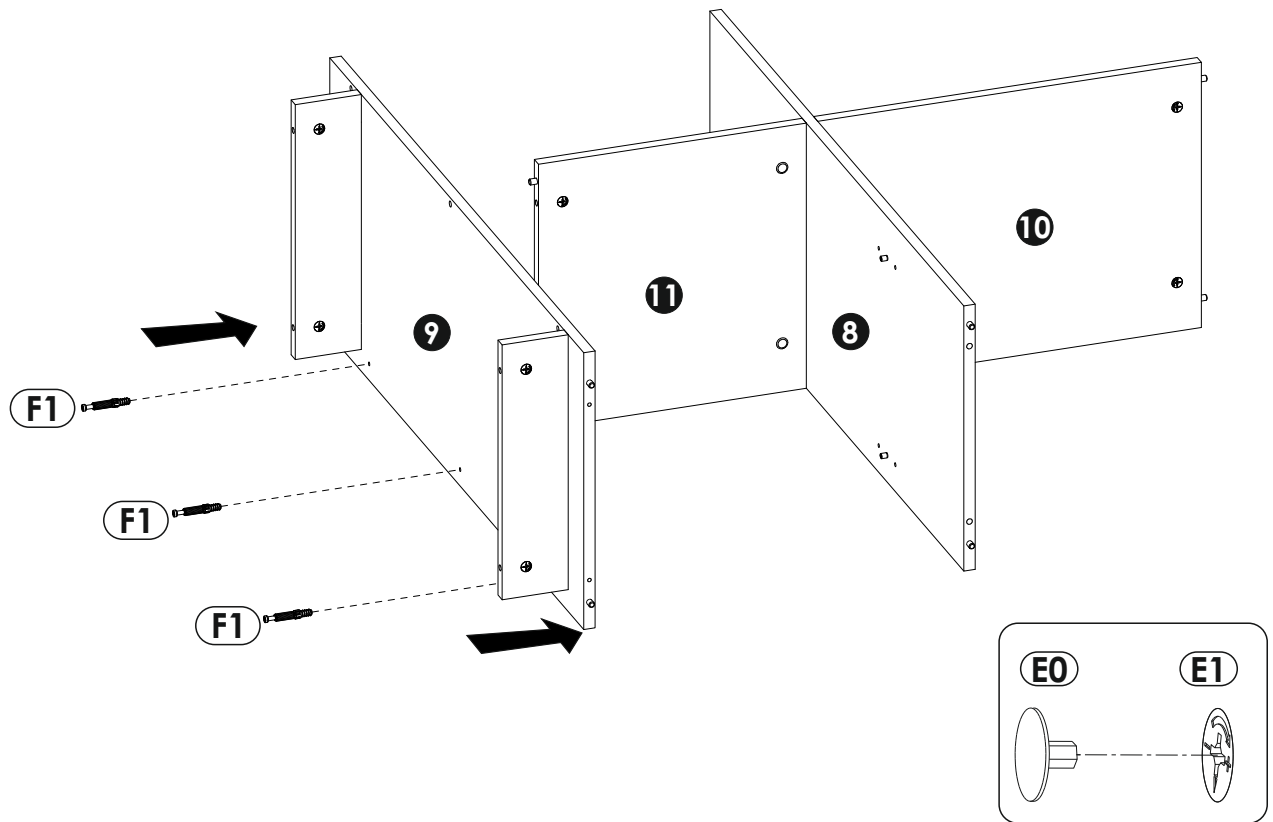
22 ▶



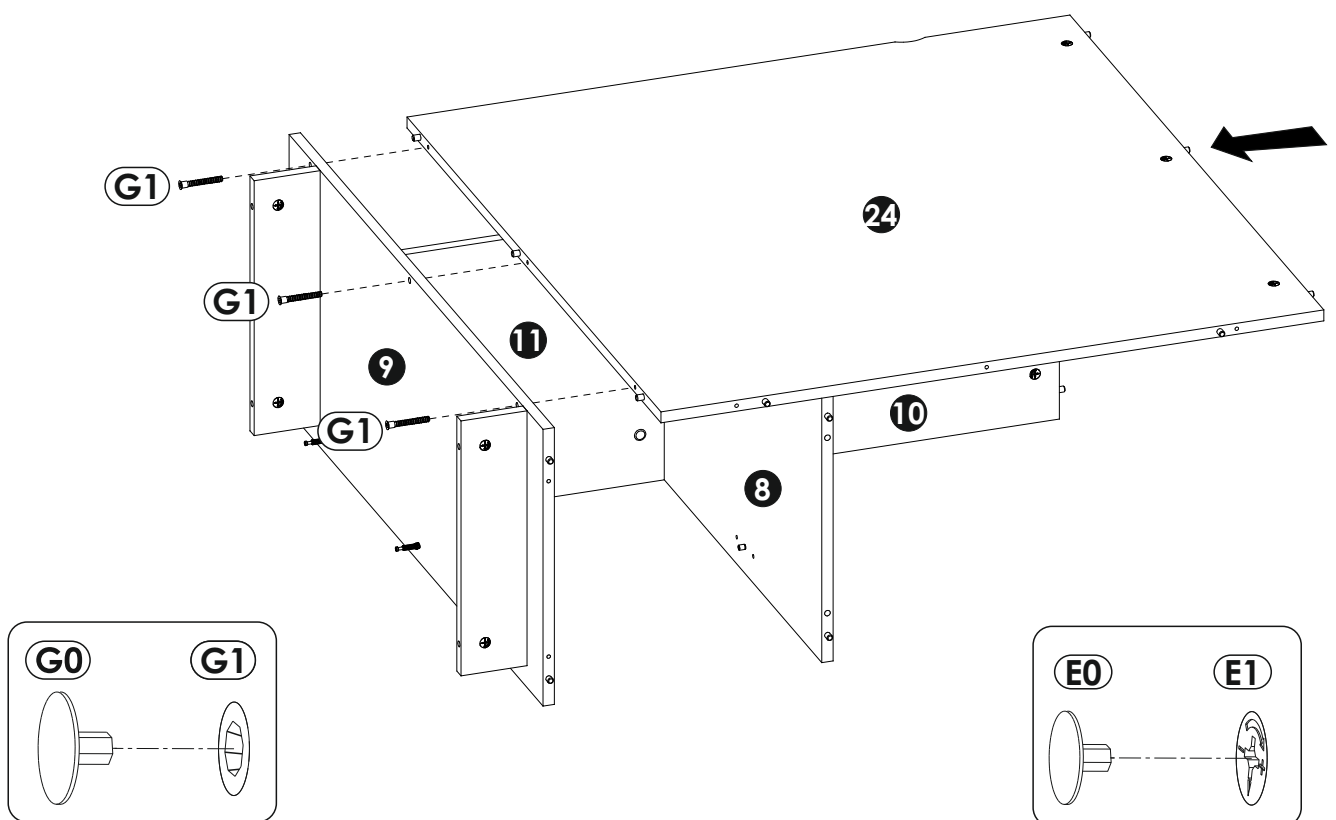
23 ▶



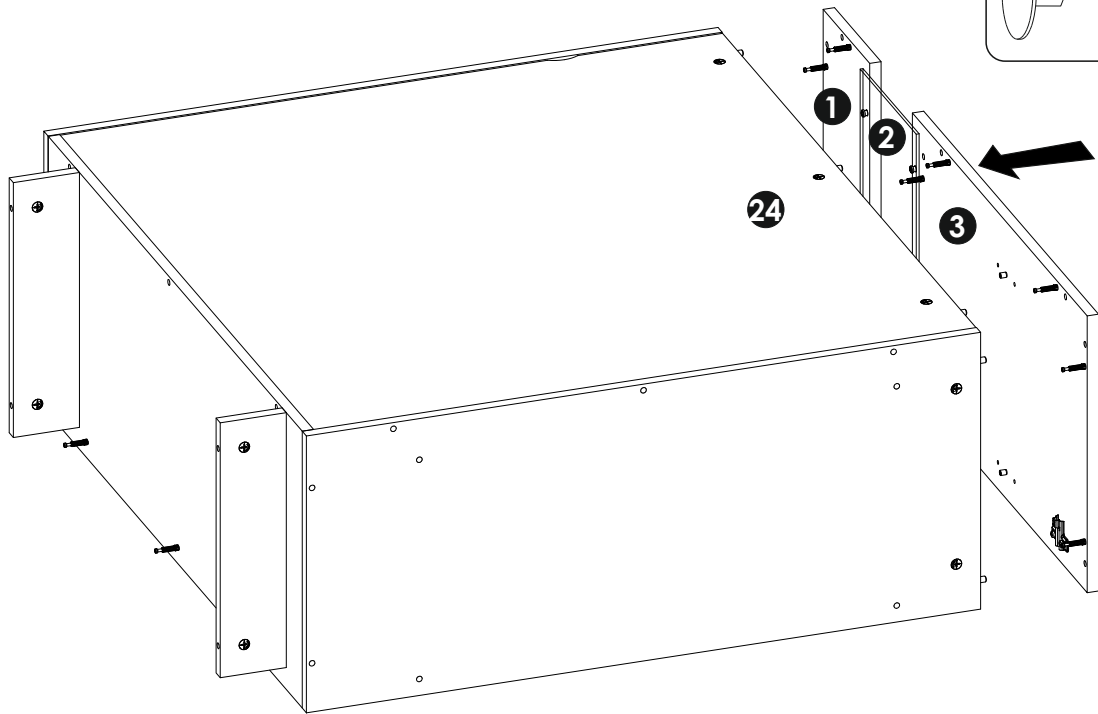
24▶



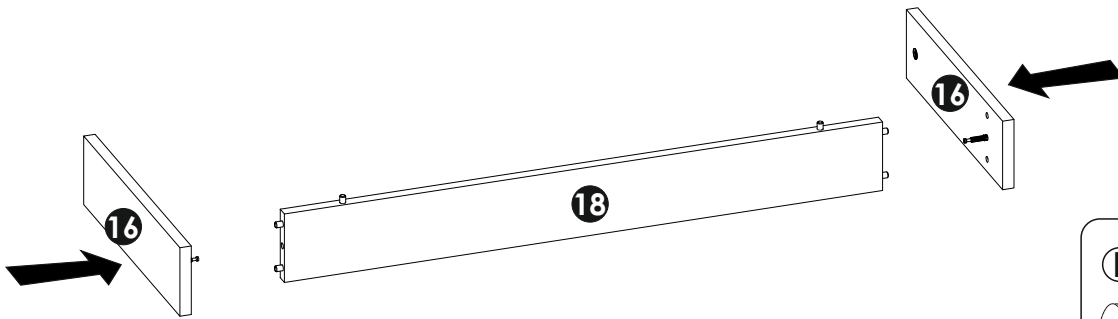
25▶



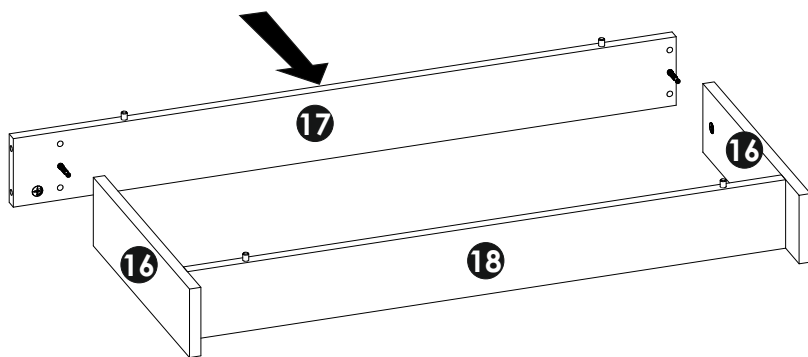
28 ▶



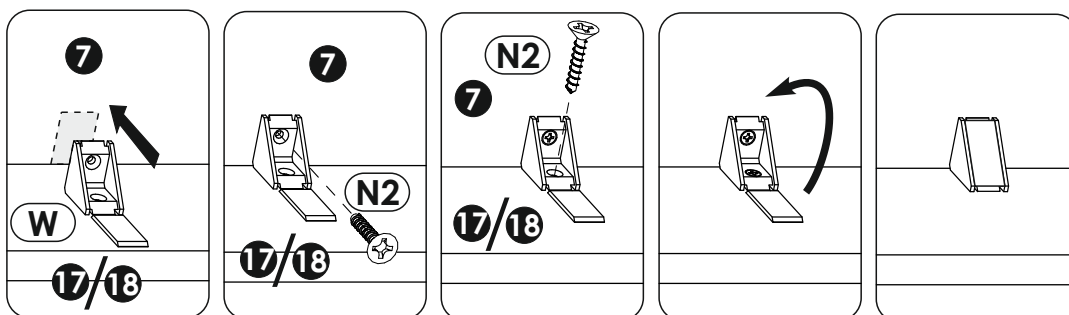
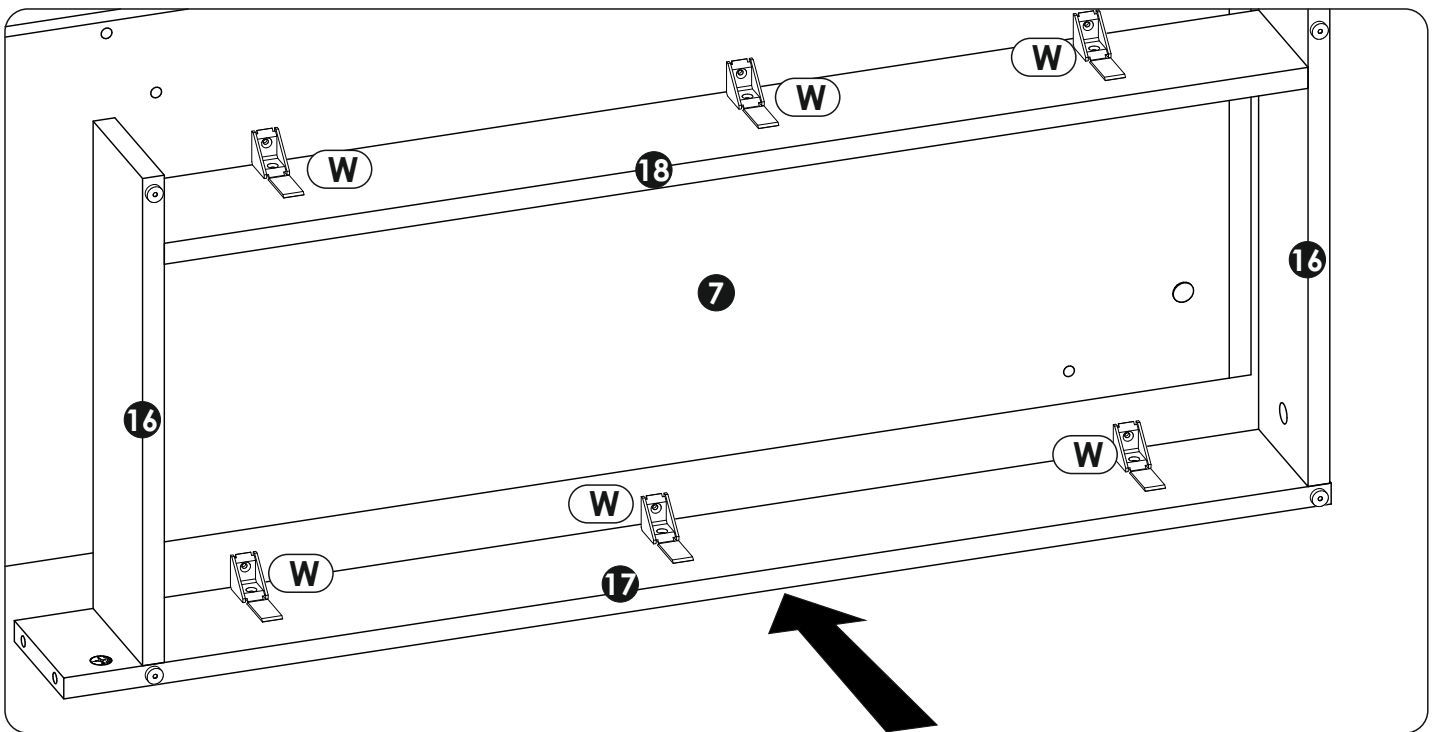
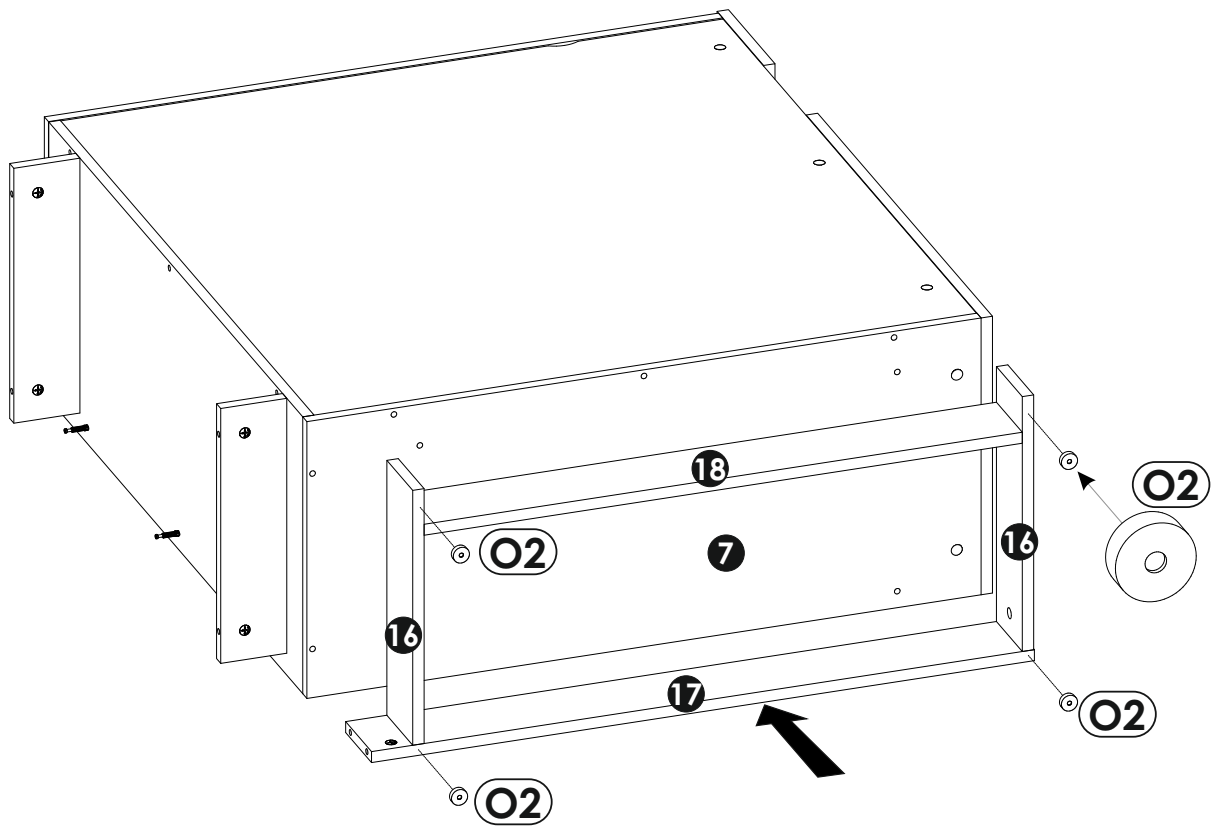
29 ▶



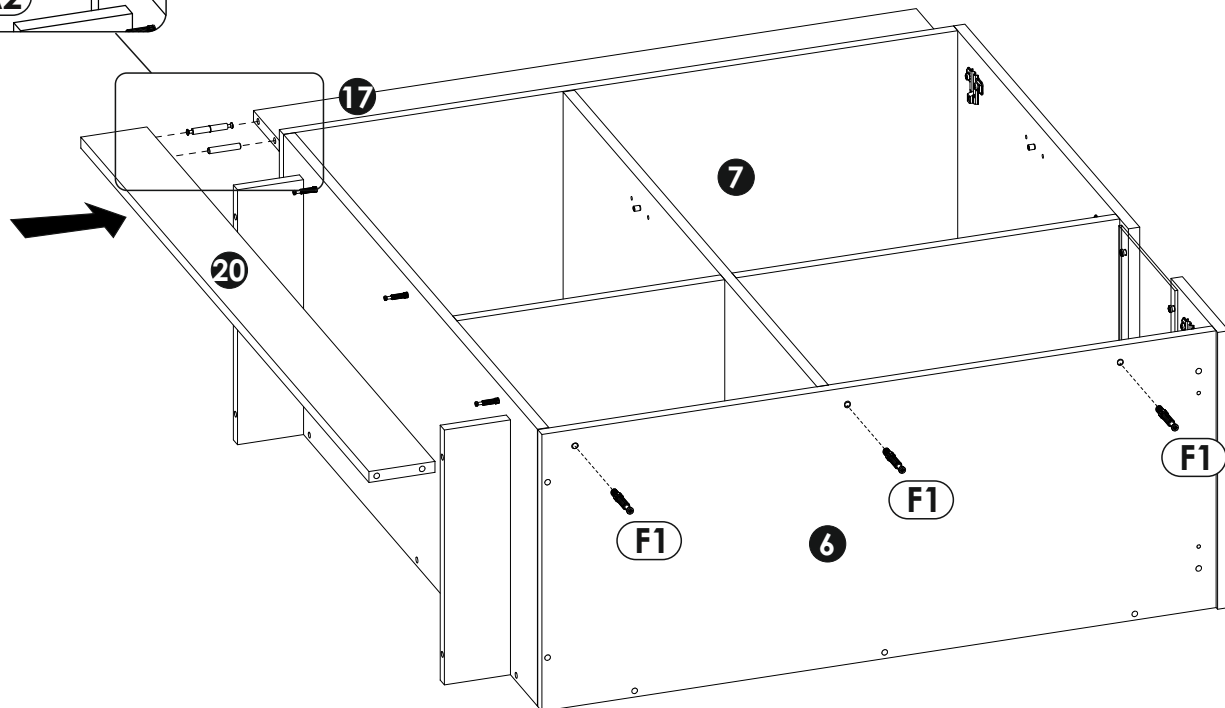
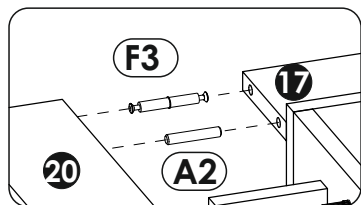
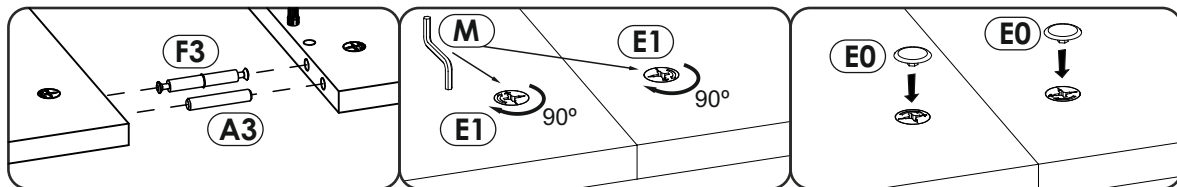
30 ▶



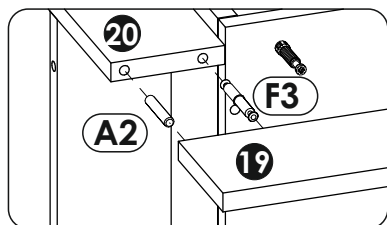
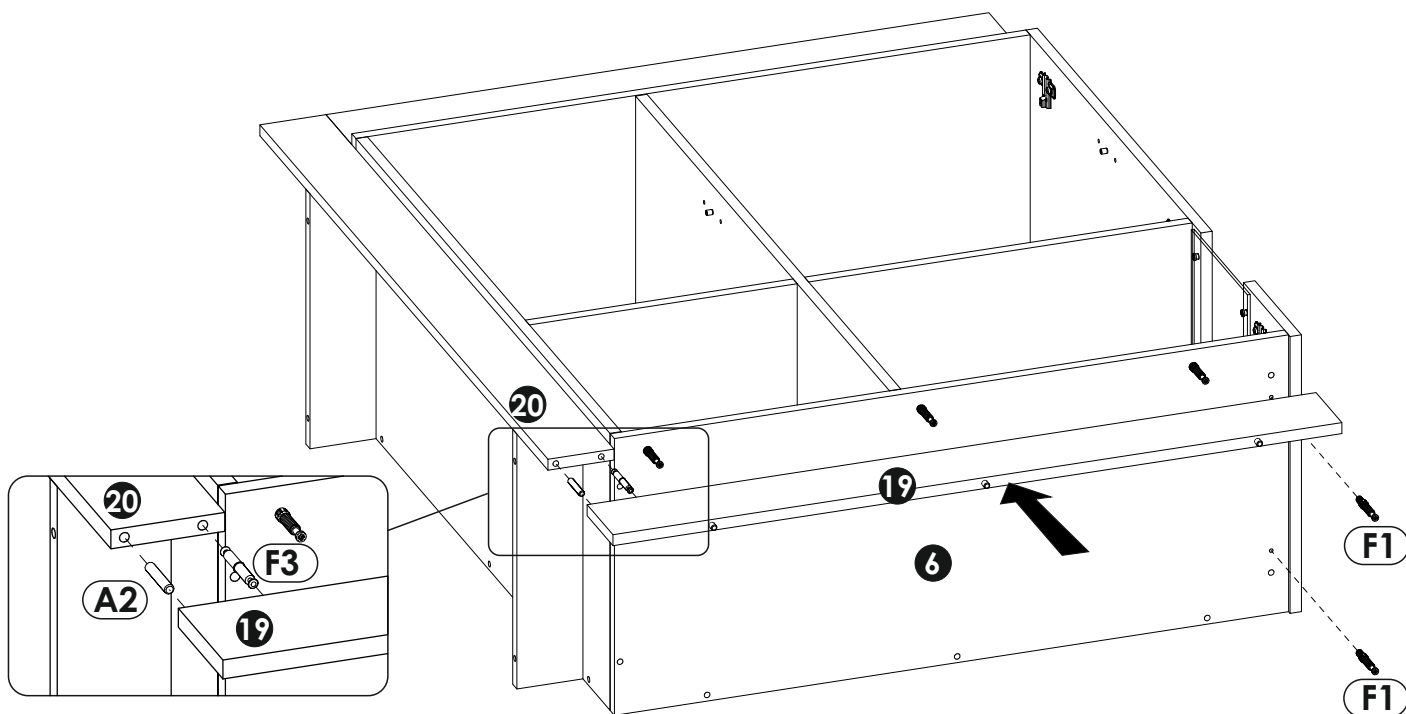
31 ▶



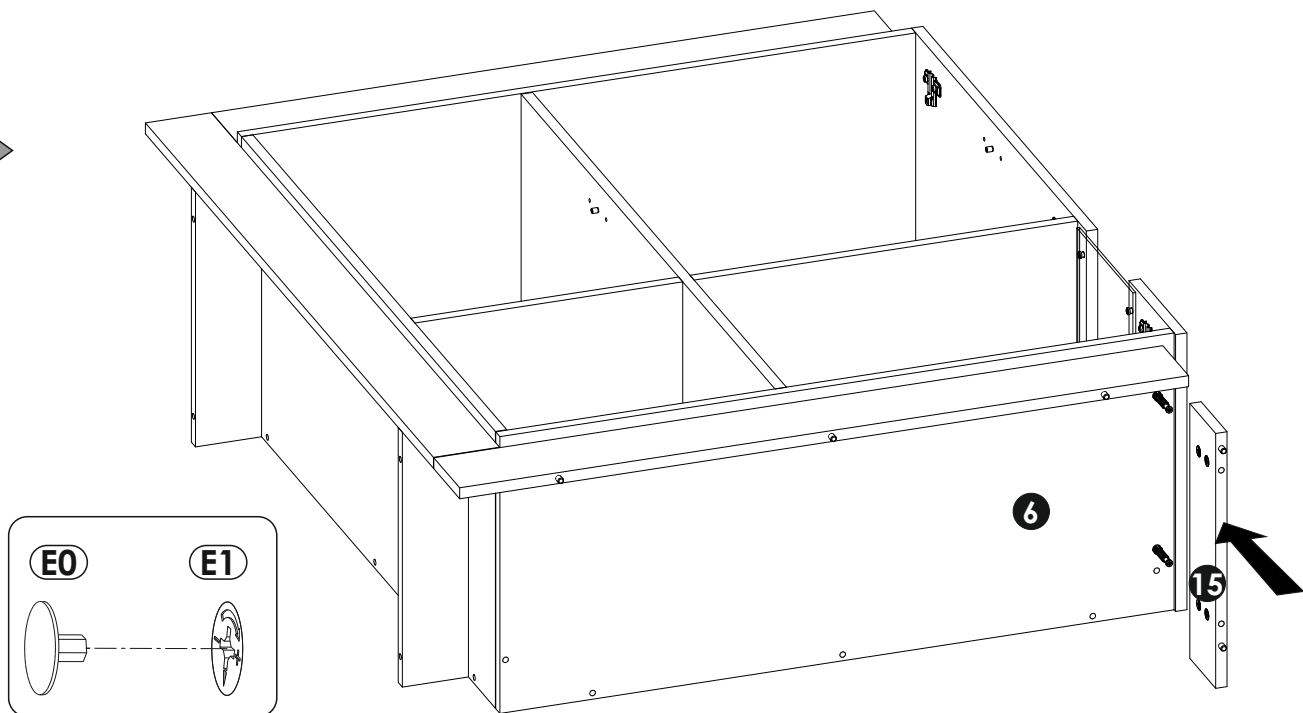
32 ▶



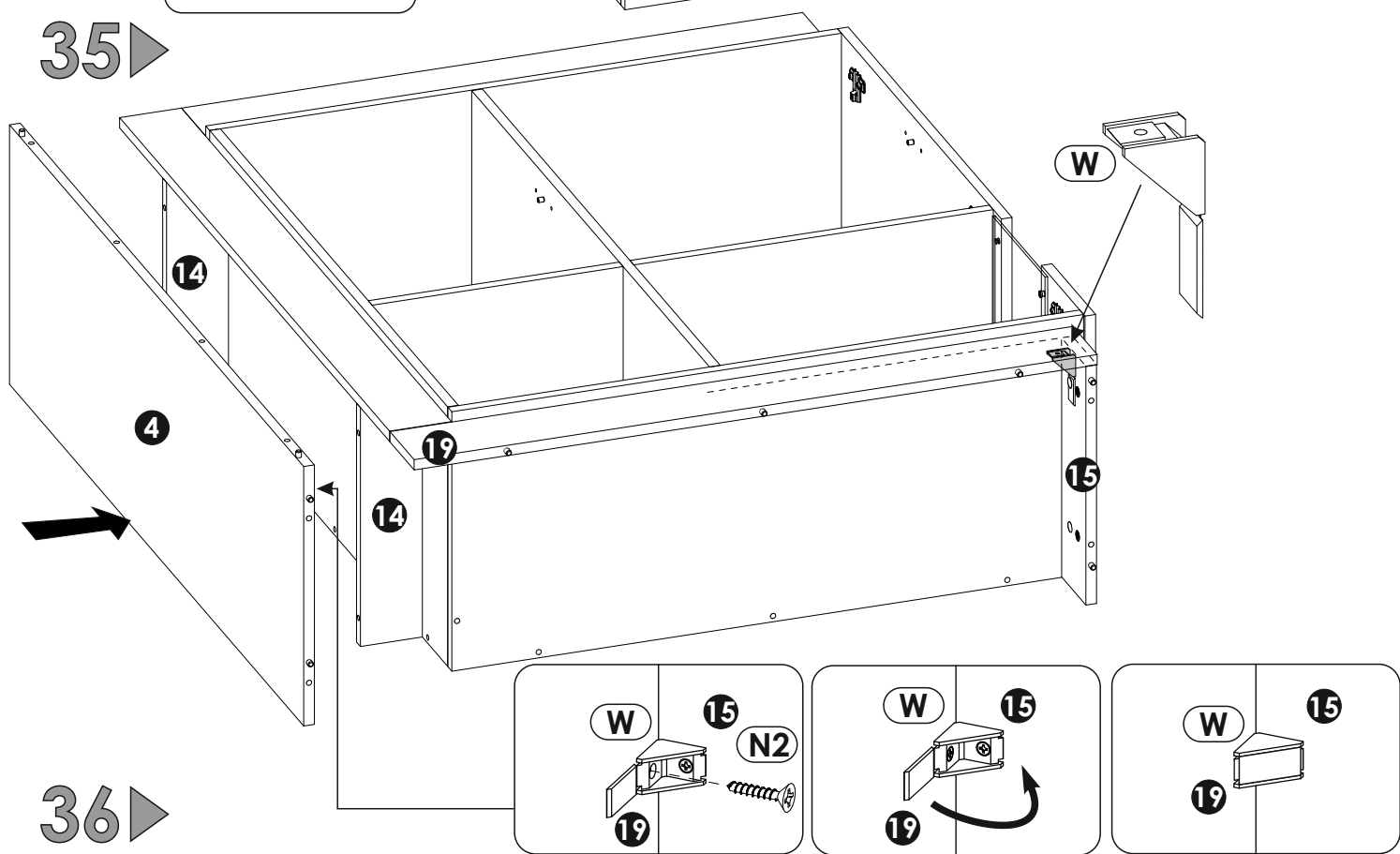
33 ▶



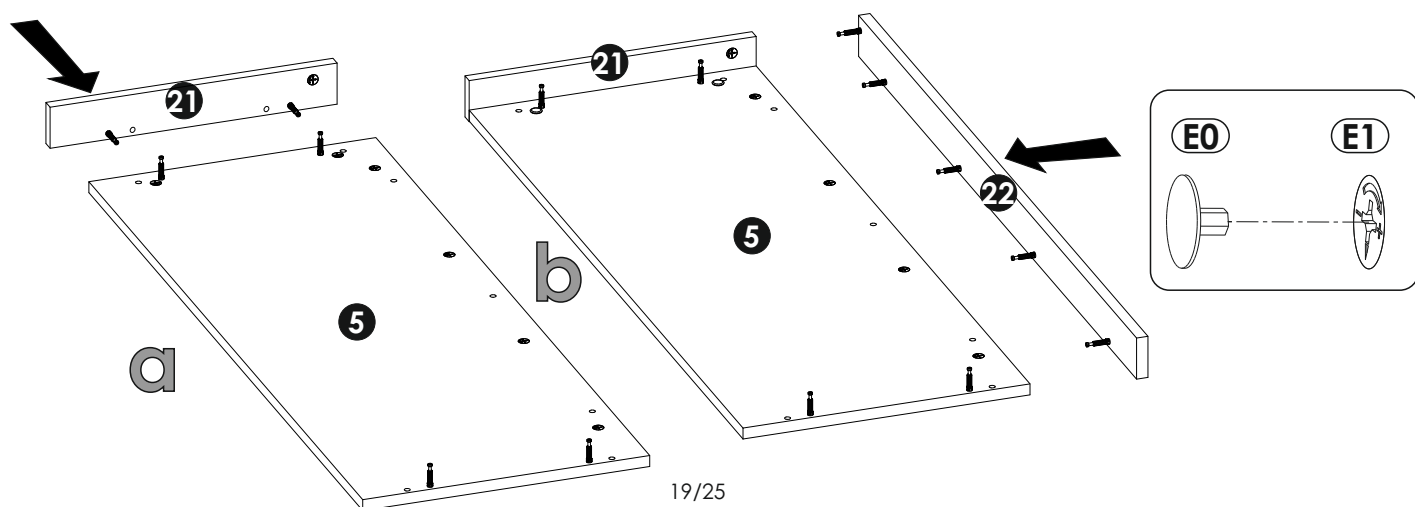
34 ▶



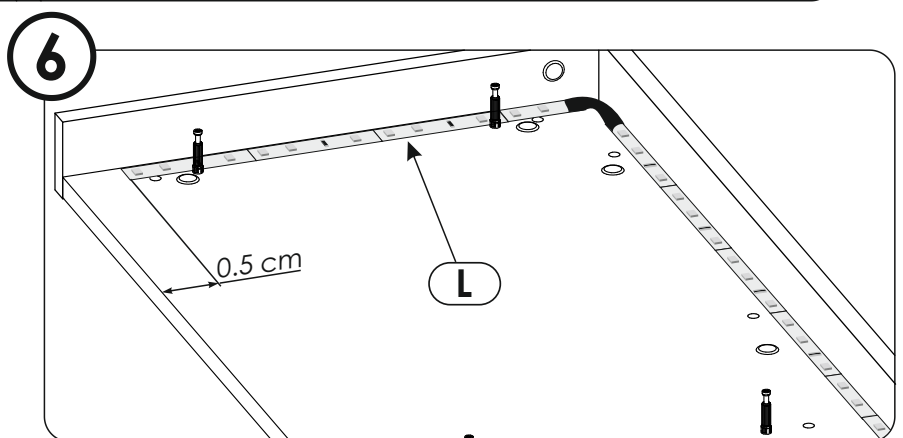
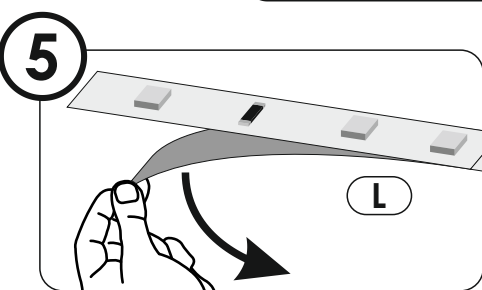
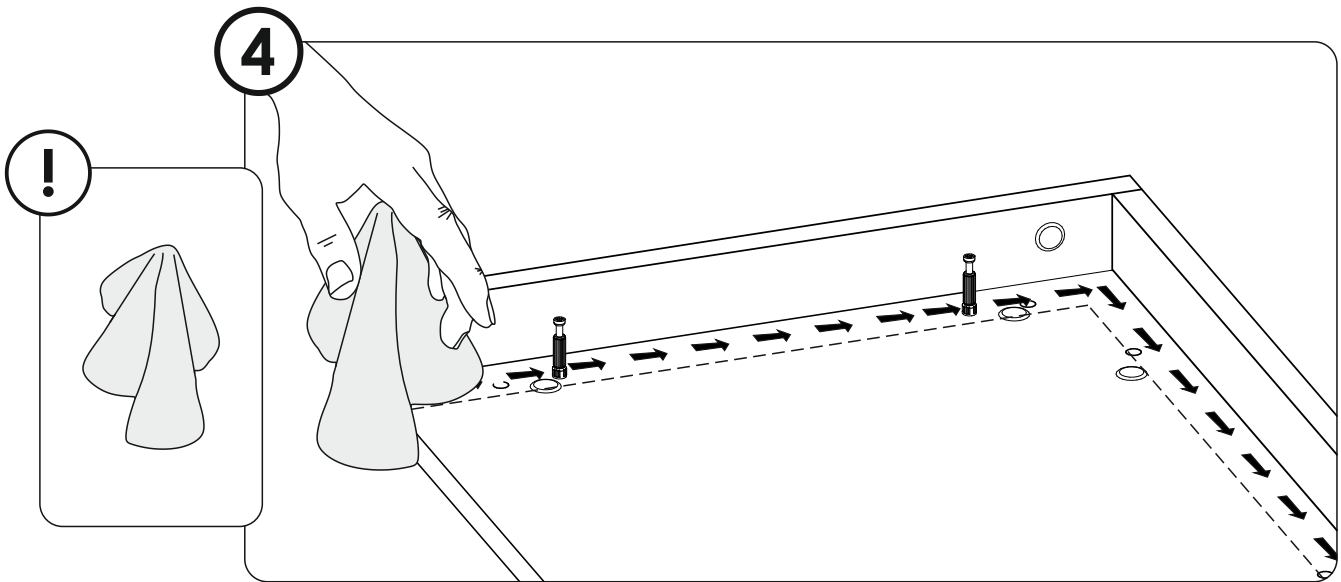
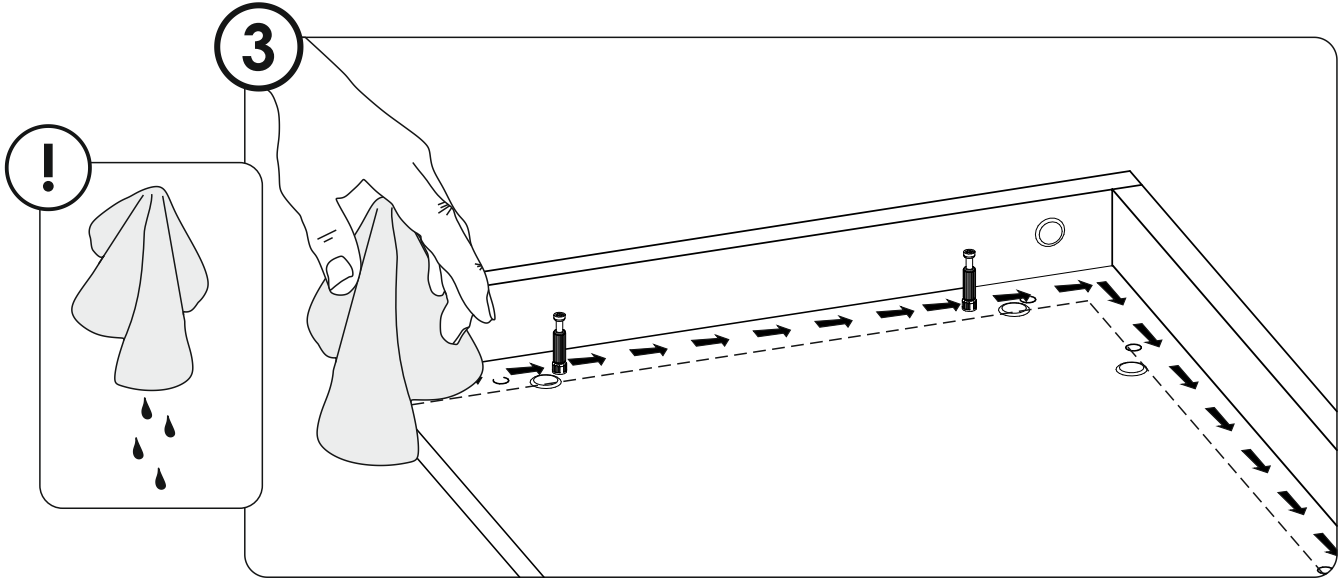
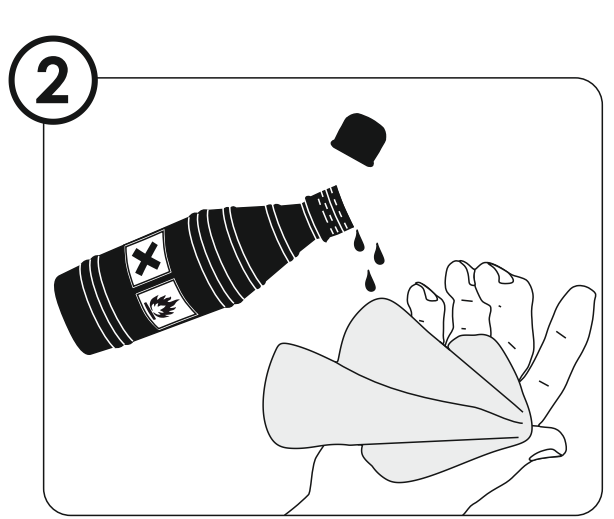
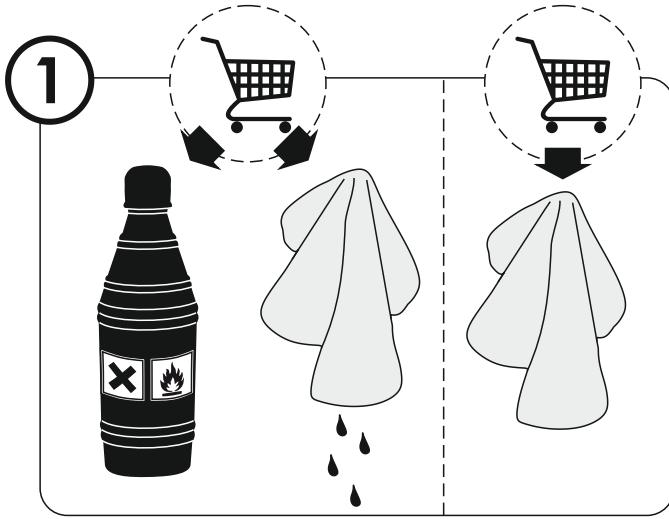
35 ▶



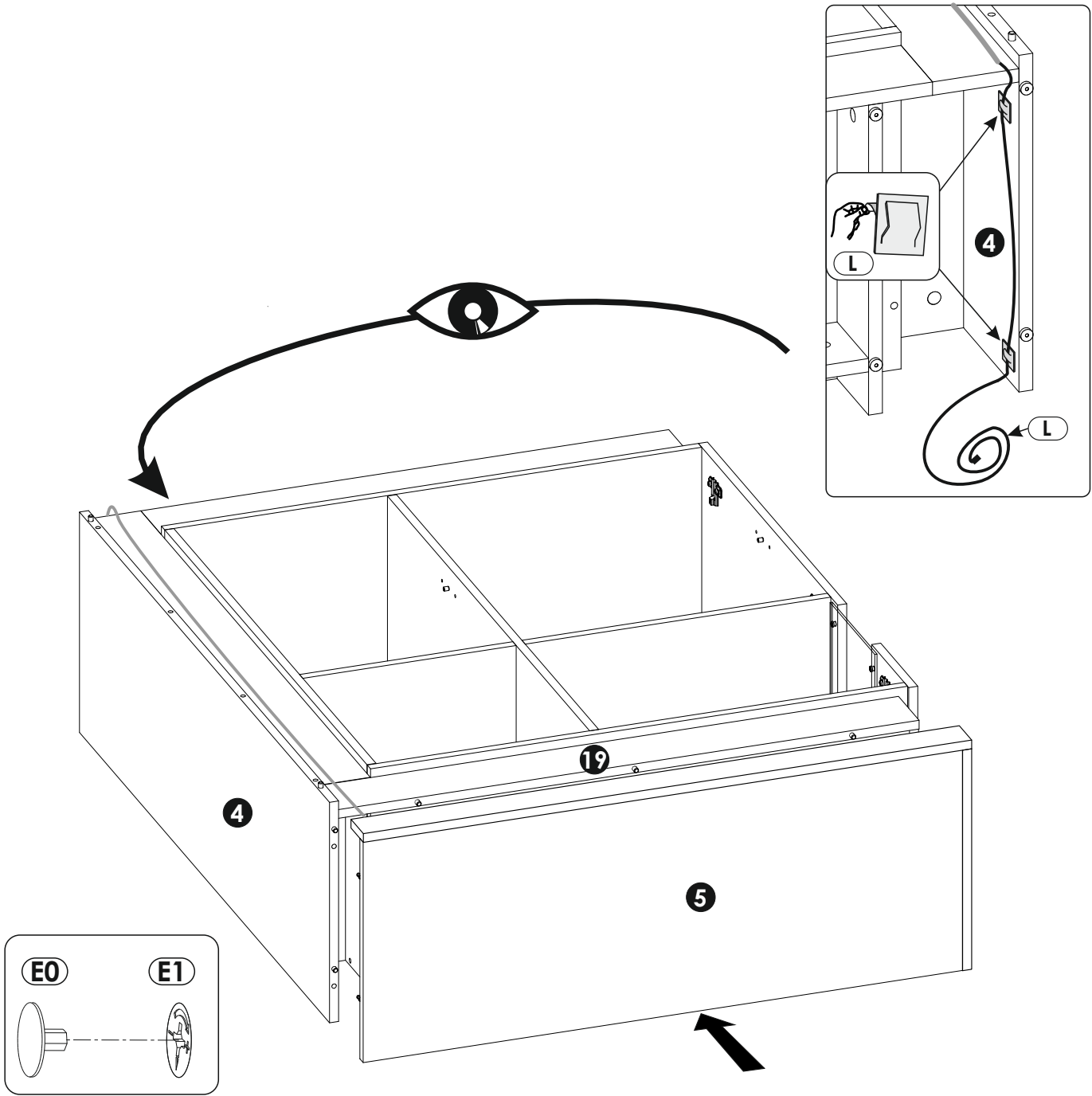
36 ▶



37▶



38 ▶



39 ▶

