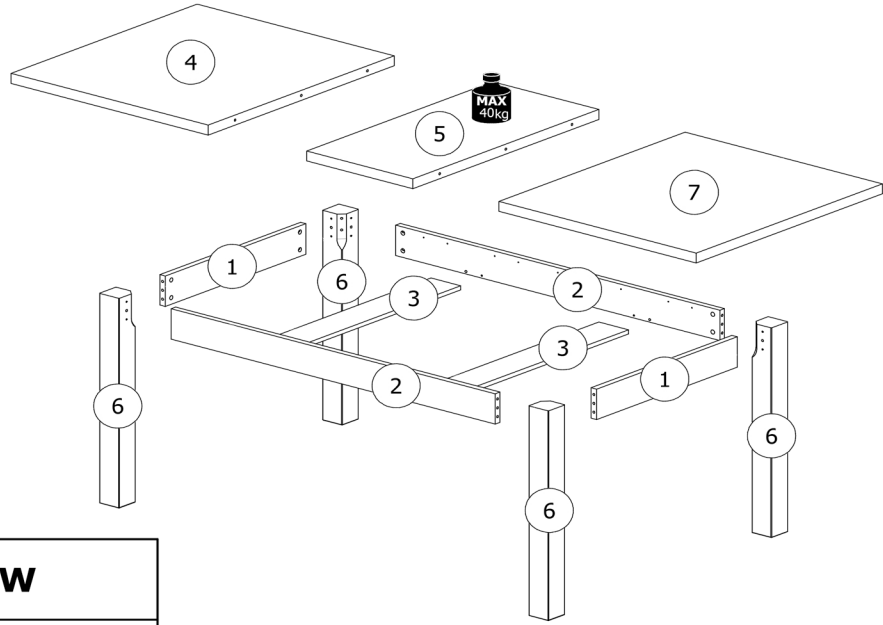
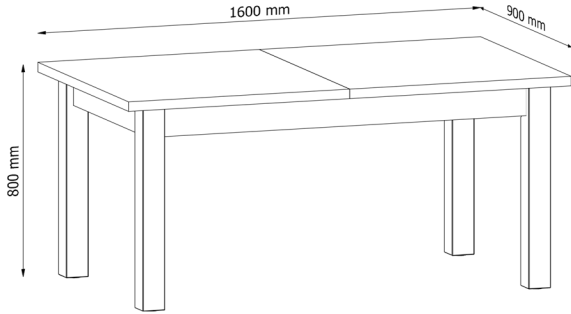


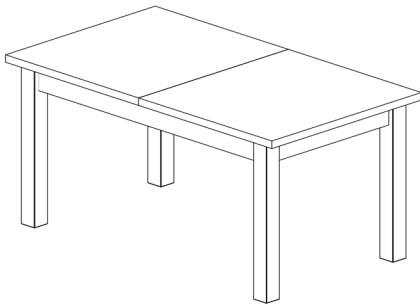
MONTANA

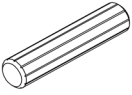


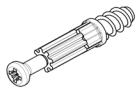
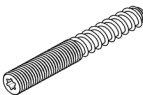

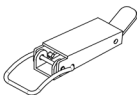
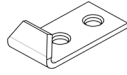


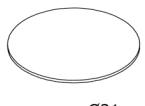
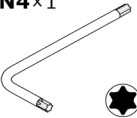
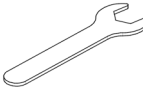

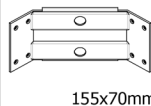
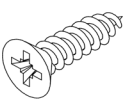
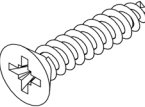

STW



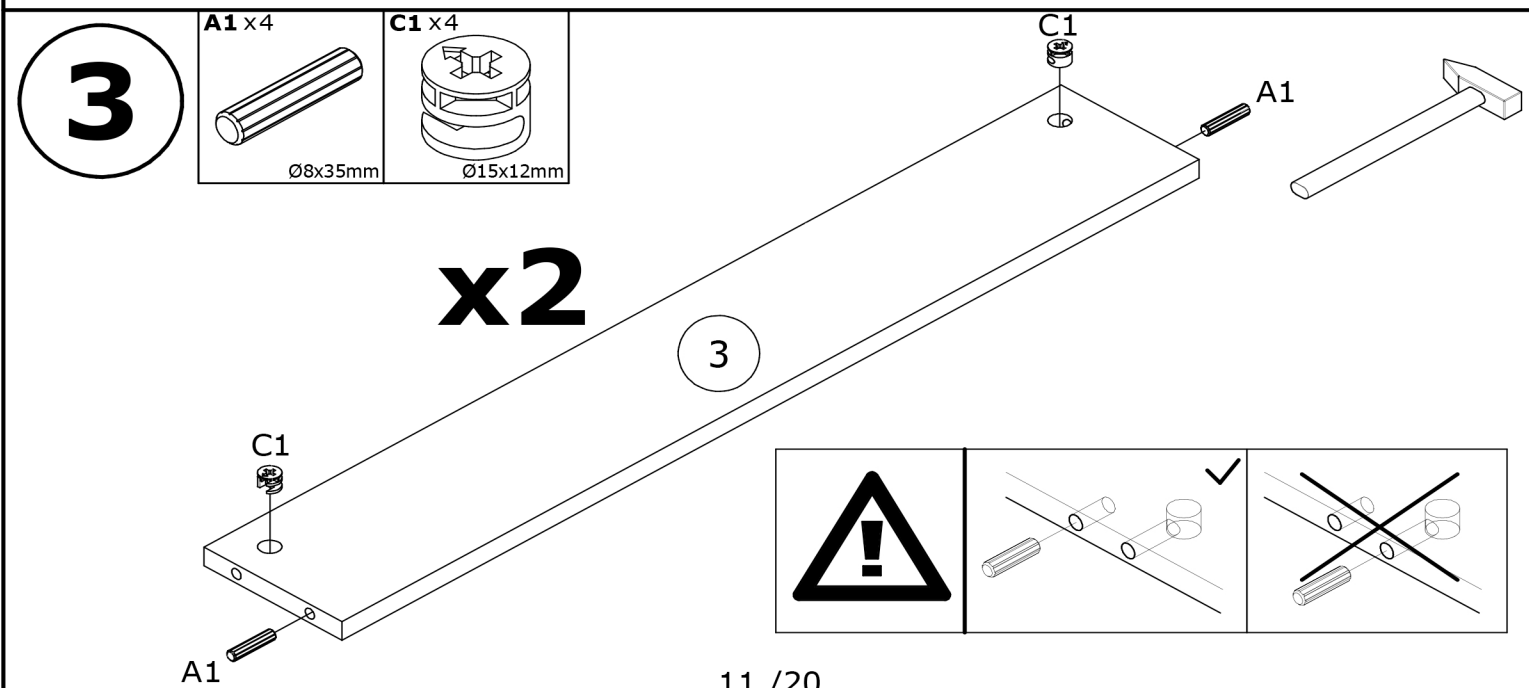
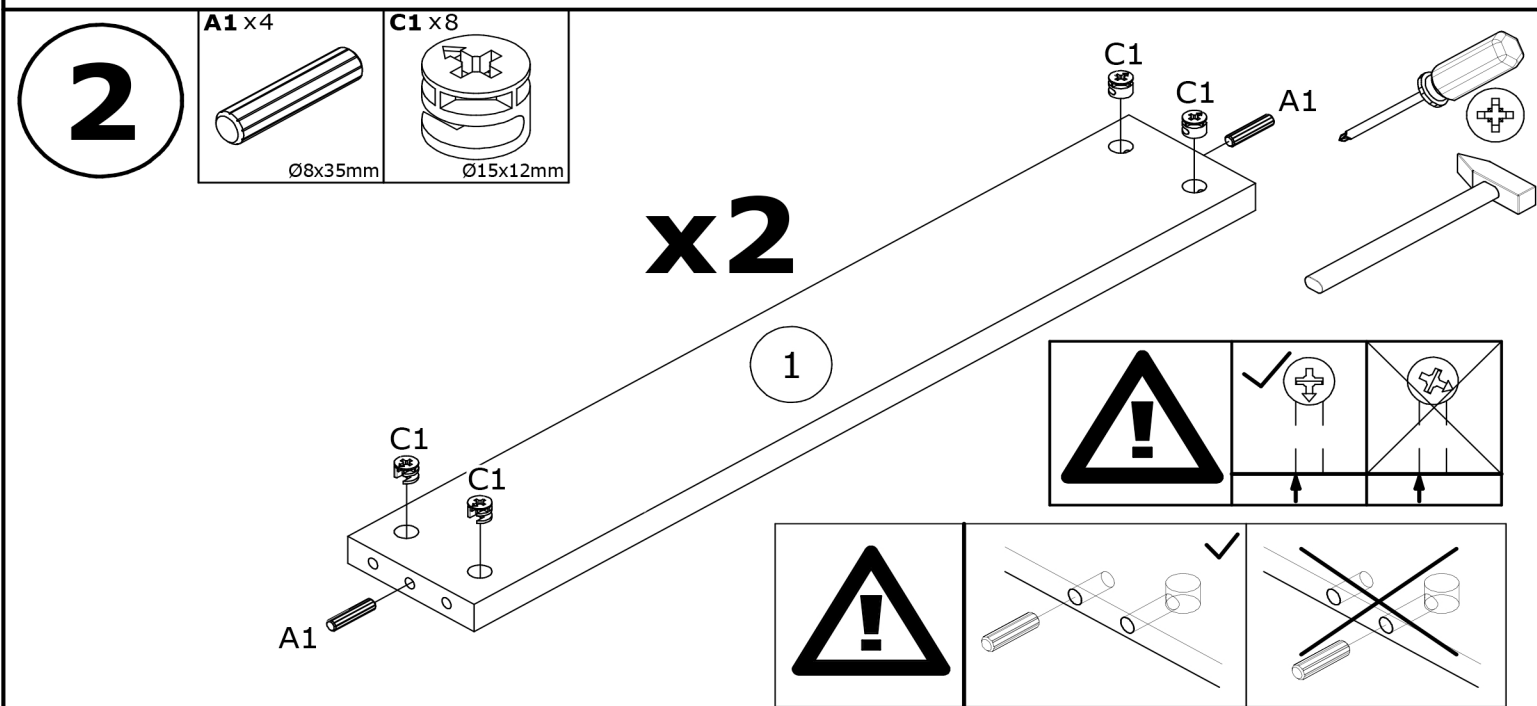
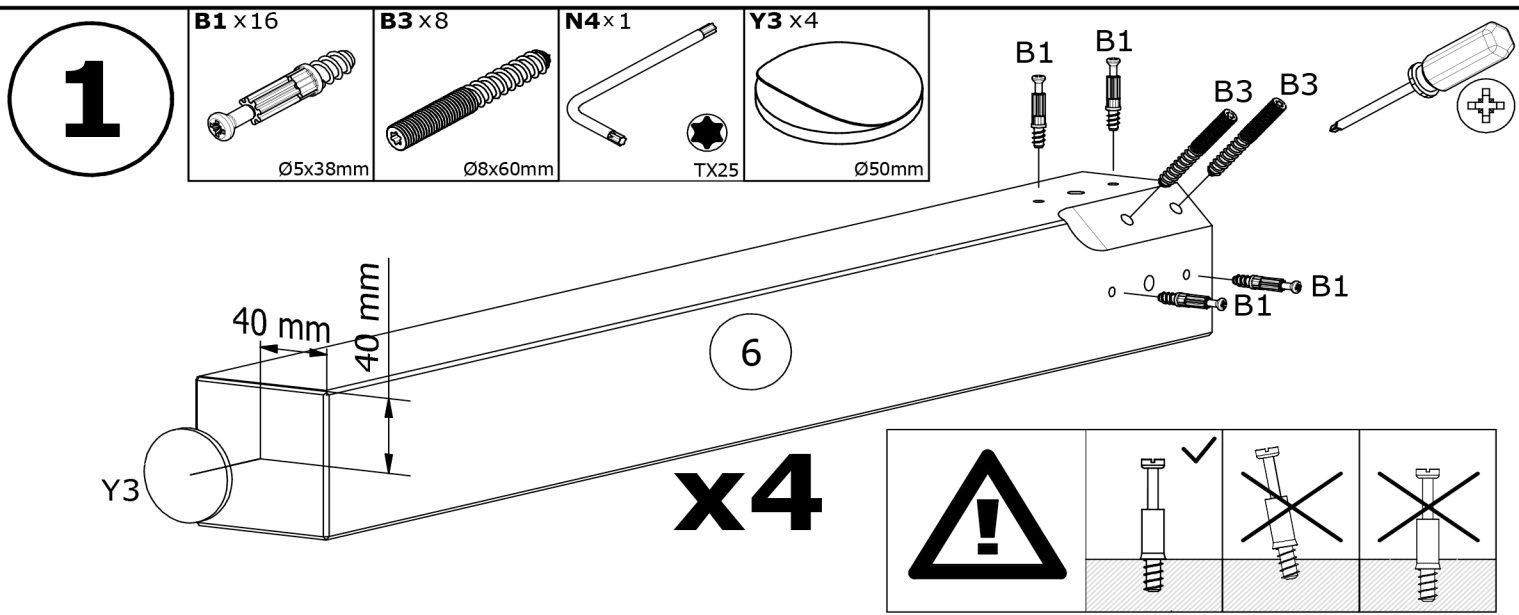
MONTANA

STW

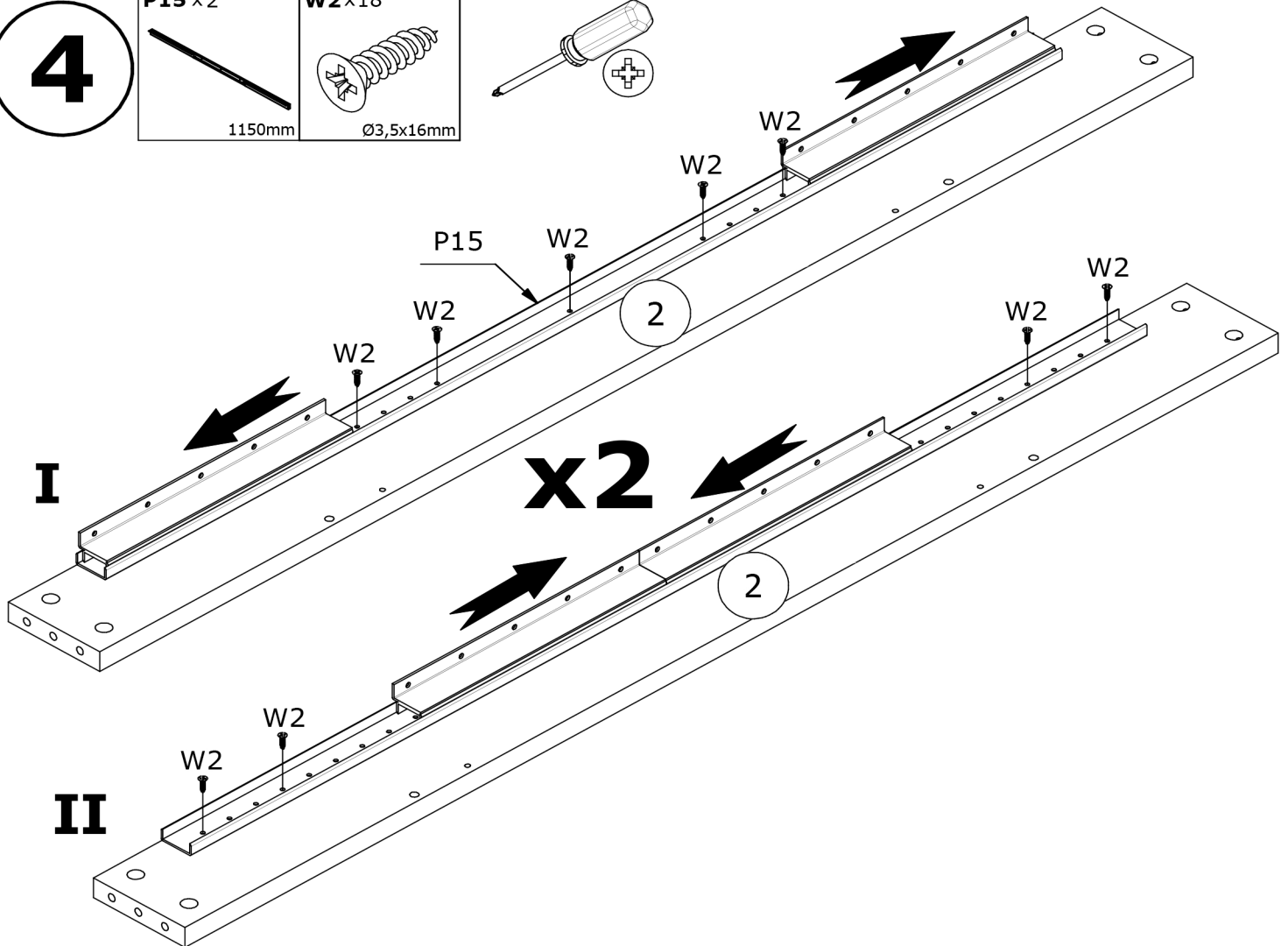
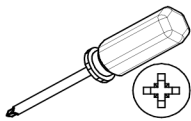
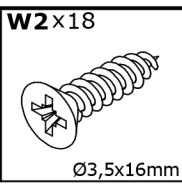
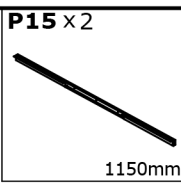


A1 x 12  Ø8x35mm	A4 x 6  Ø8x12mm	A5 x 6  Ø8x21mm	B1 x 20  Ø5x38mm	B3 x 8  Ø8x60mm
C1 x 20  Ø15x12mm	I1 x 4  46x17mm	I2 x 4  29x13mm	I3 x 8  13mm hex	I4 x 8  Ø16x1,5mm
J x 20  Ø21mm	N4 x 1  TX25	N5 x 1  13mm hex	P15 x 2  1150mm	R3 x 4  155x70mm
W2 x 50  Ø3,5x16mm	W3 x 32  Ø4x20mm	Y3 x 4  Ø50mm		

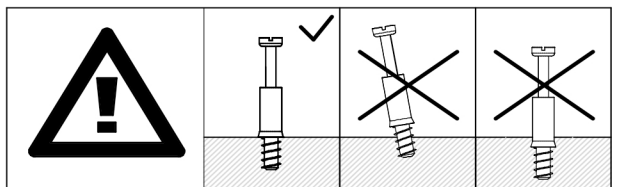
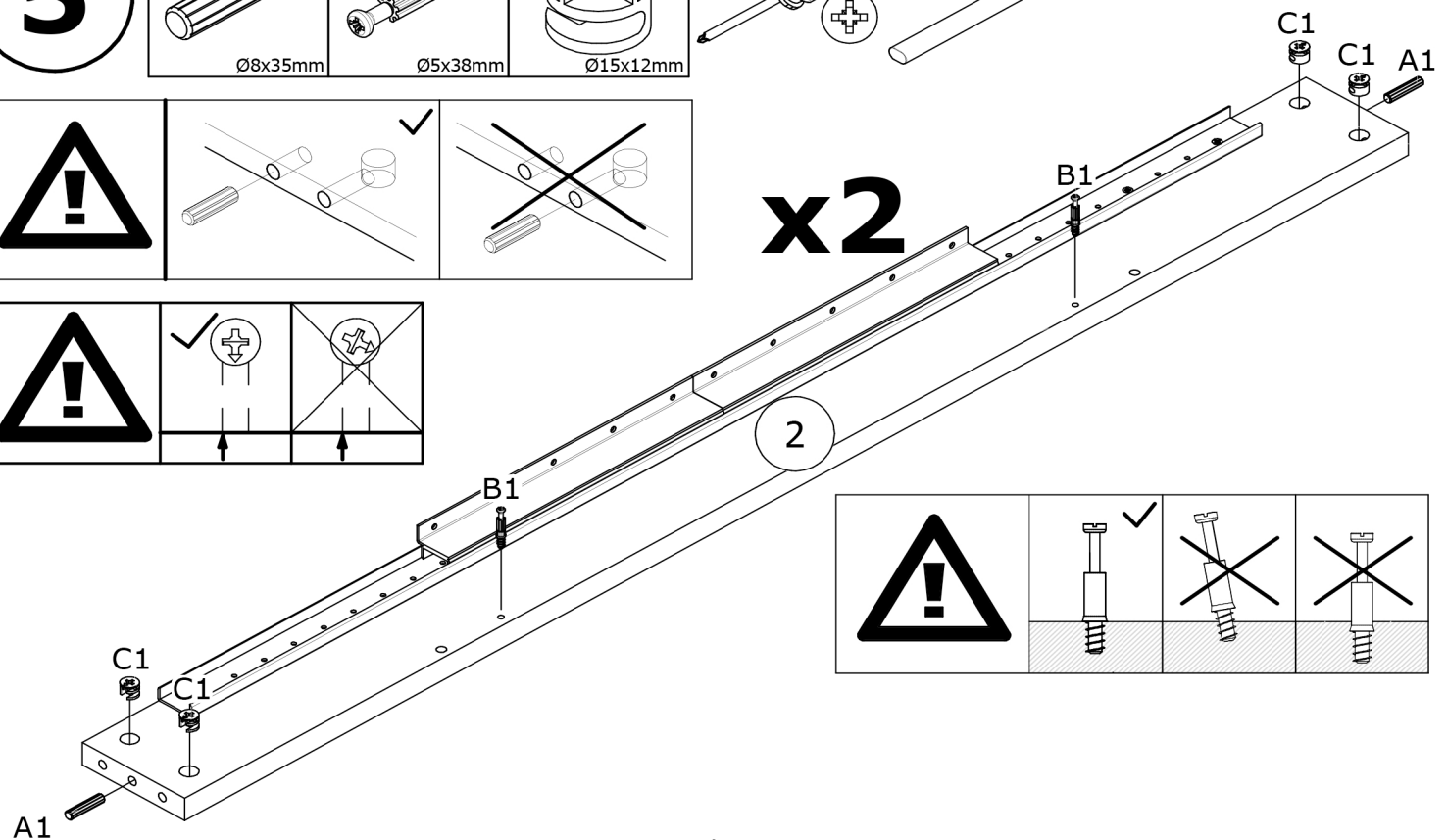
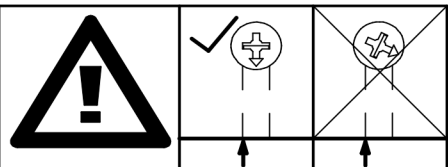
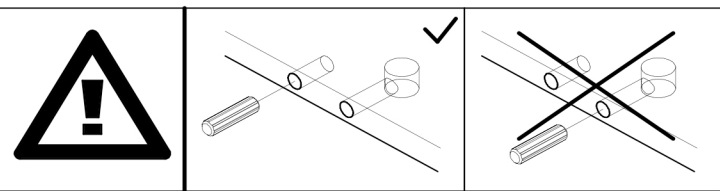
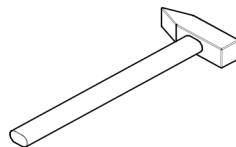
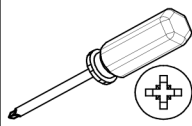
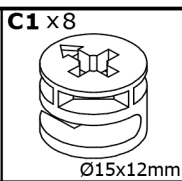
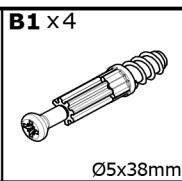
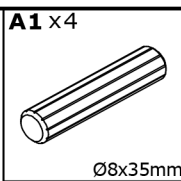
No.	L[mm]	W[mm]	H[mm]	PCS	BOX
1	680	110	22	2	2/3
2	1315	110	22	2	3/3
3	746	120	15	2	2/3
4	900	800	36	1	1/3
5	900	430	36	1	2/3
6	760	80	80	4	2/3
7	900	800	36	1	1/3



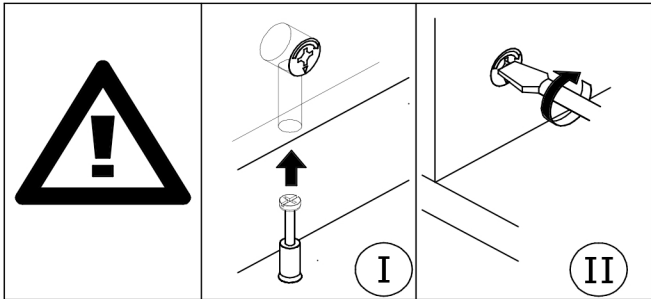
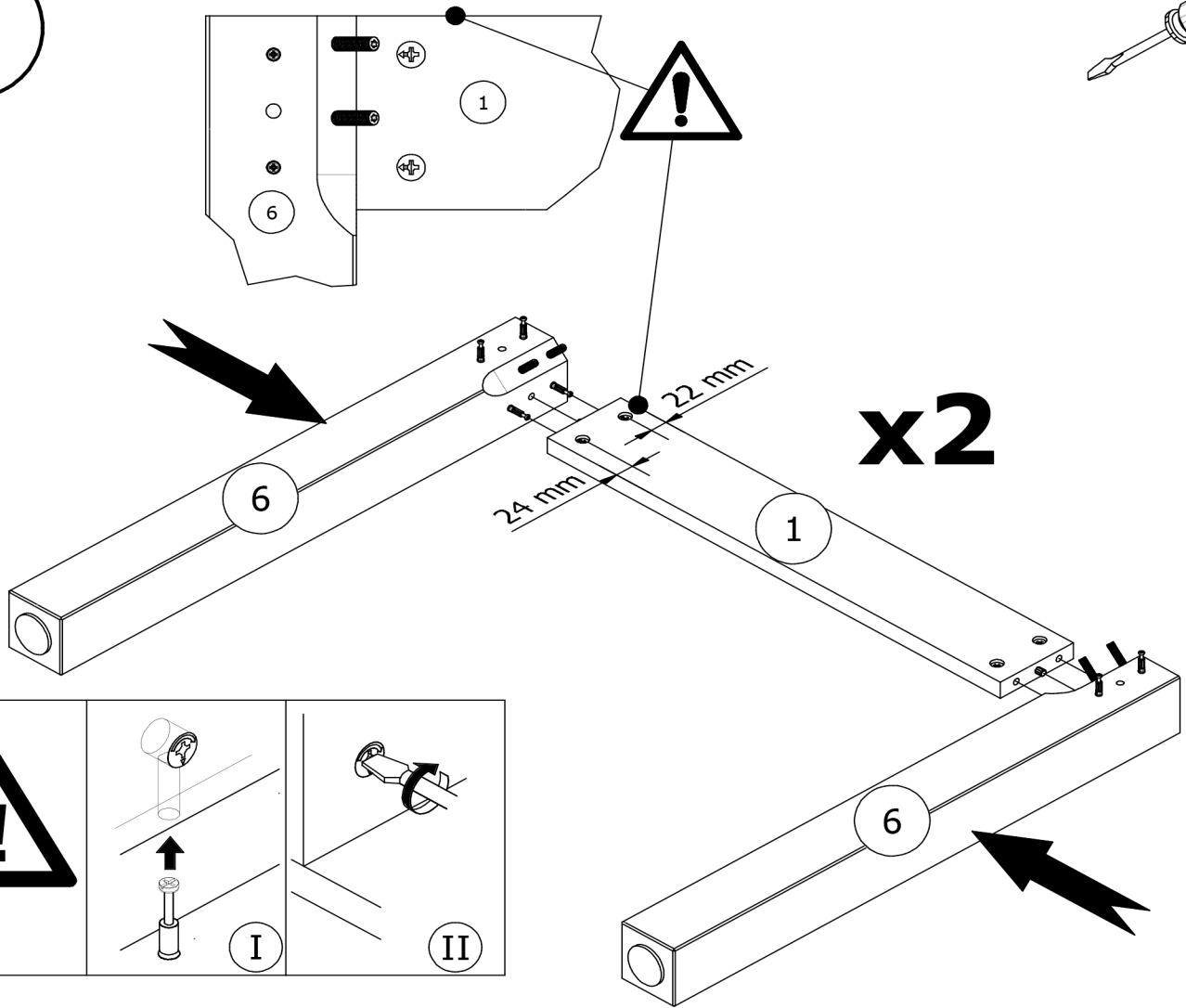
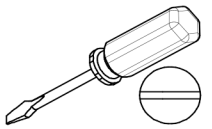
4



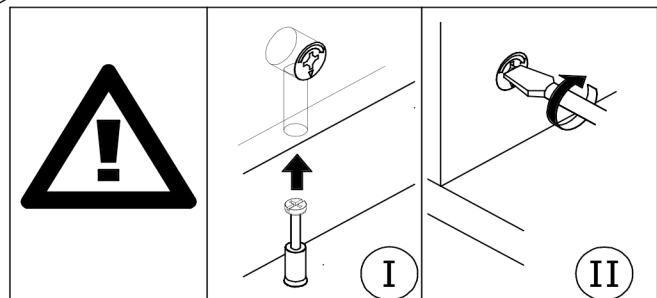
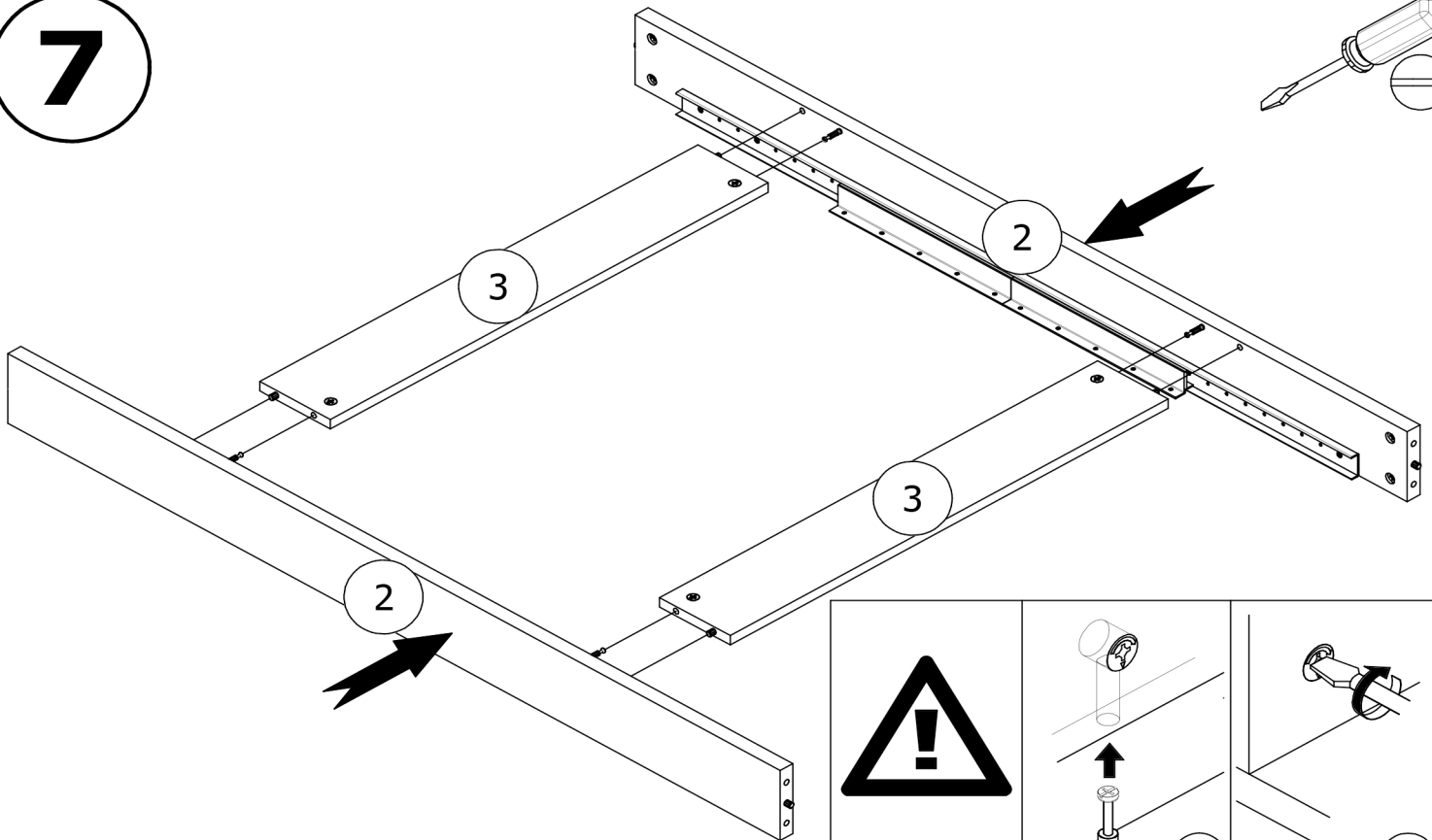
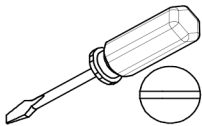
5



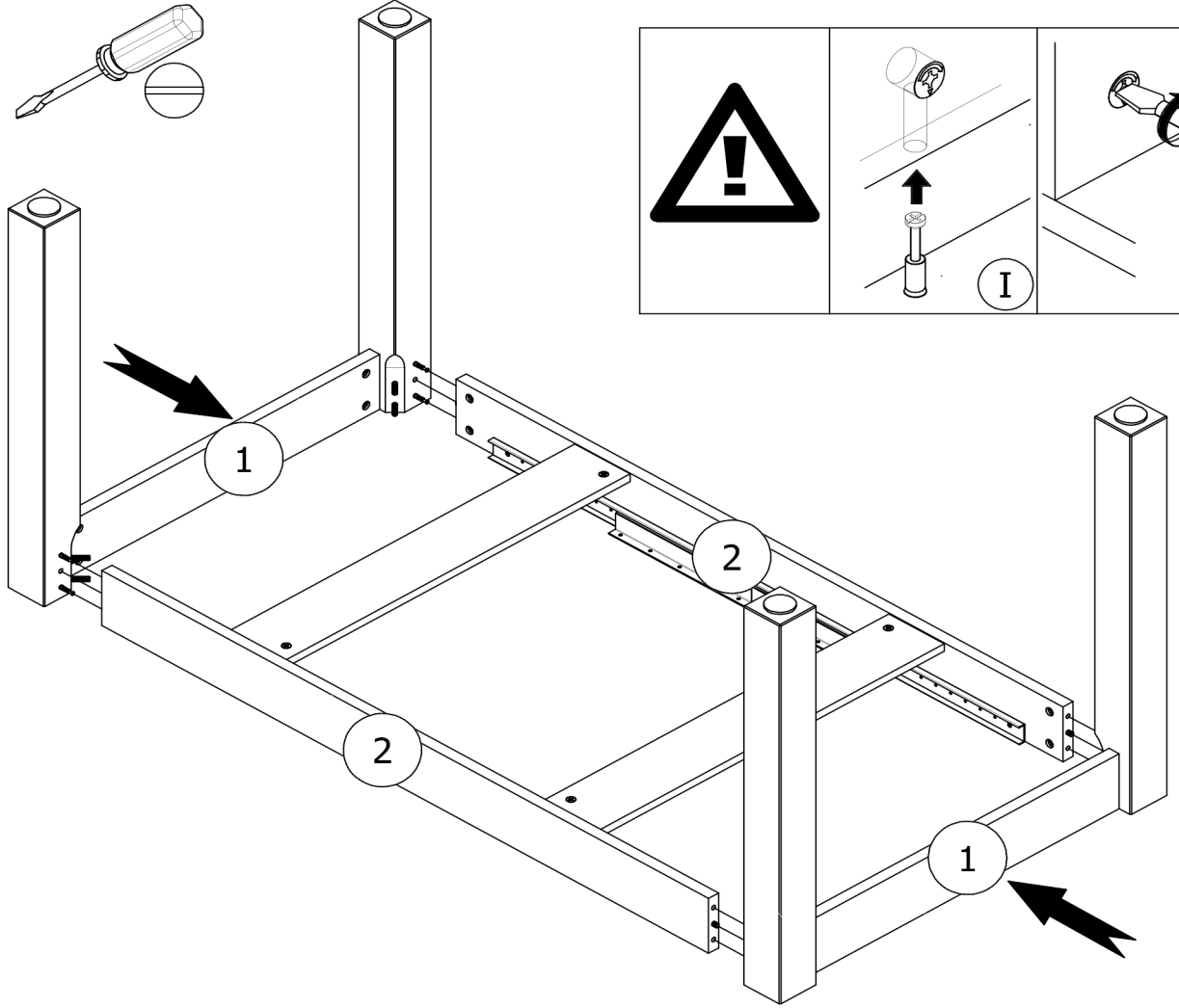
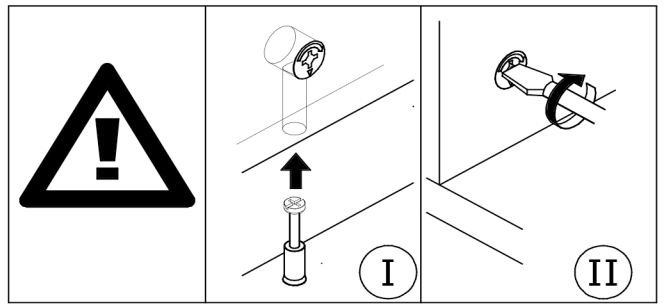
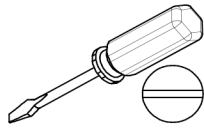
6



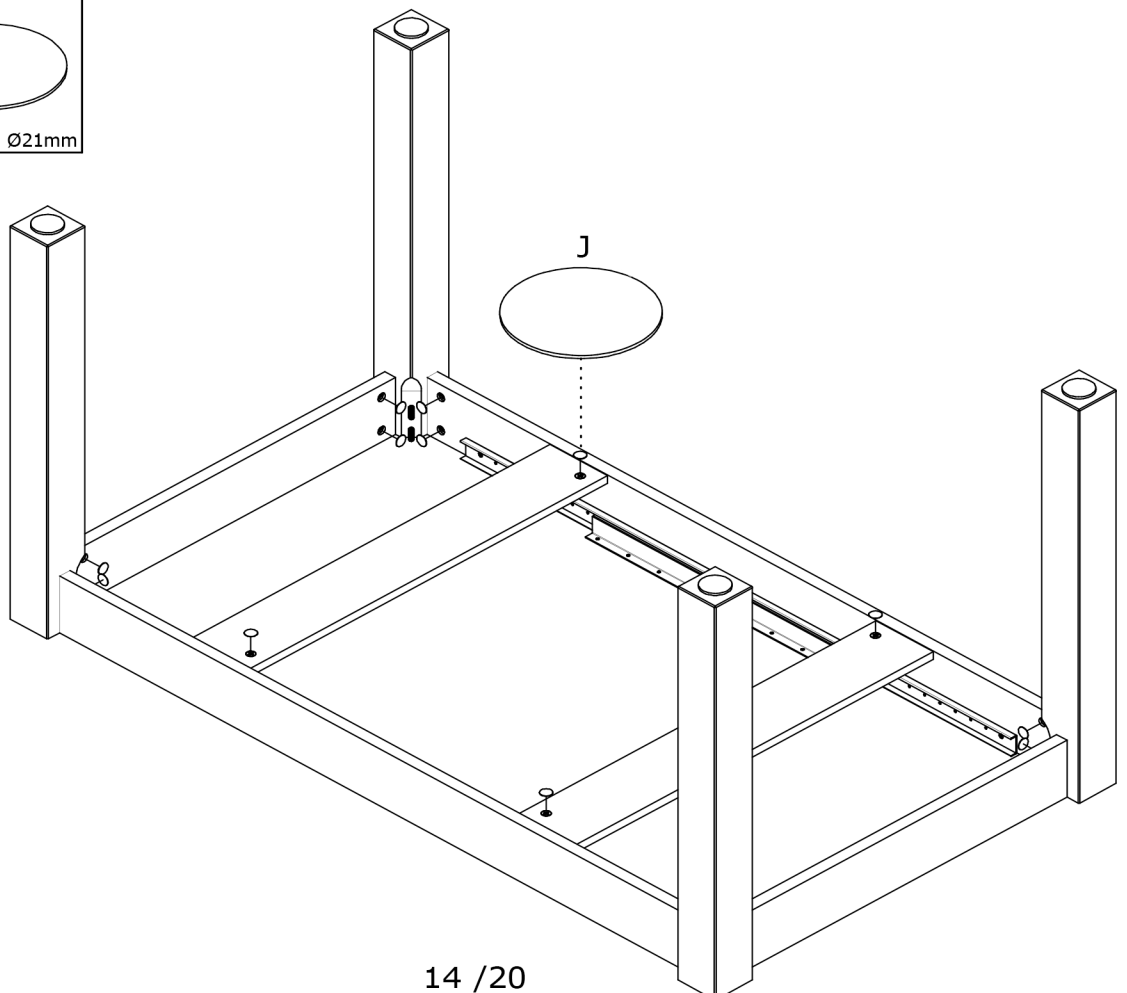
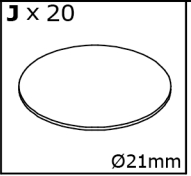
7



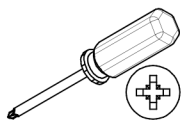
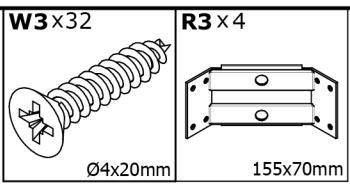
8



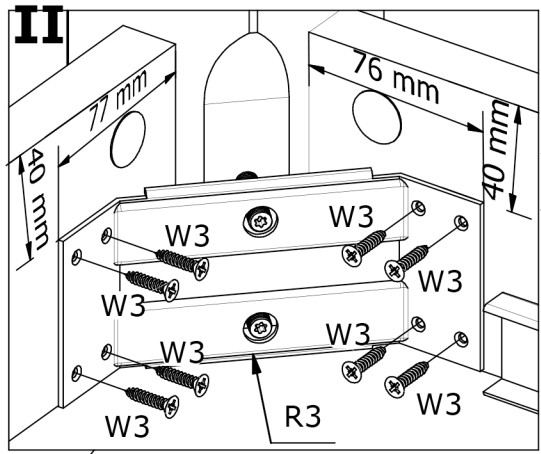
9



10

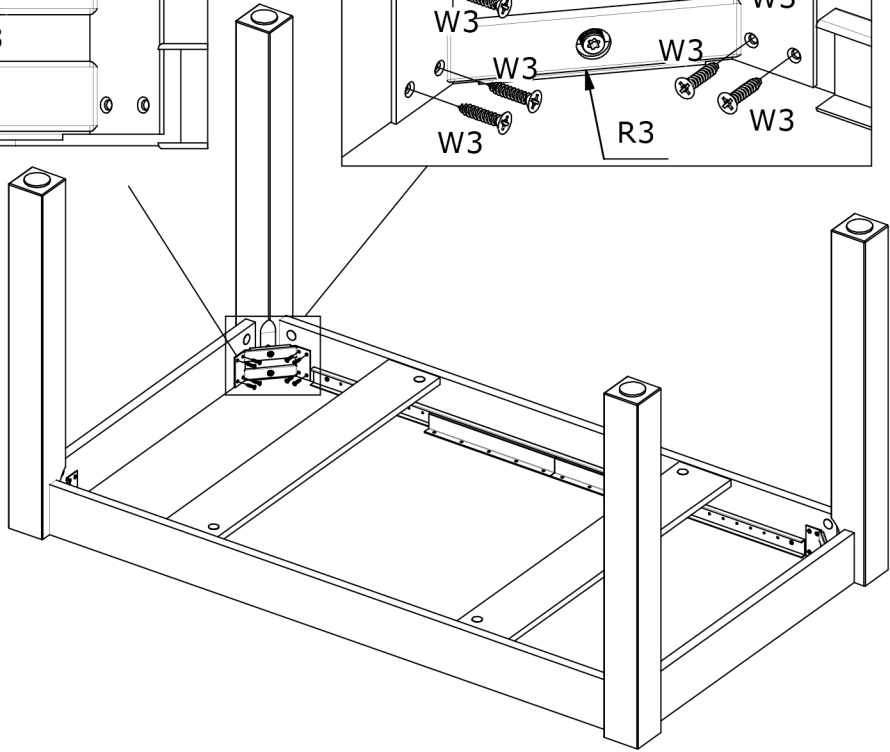
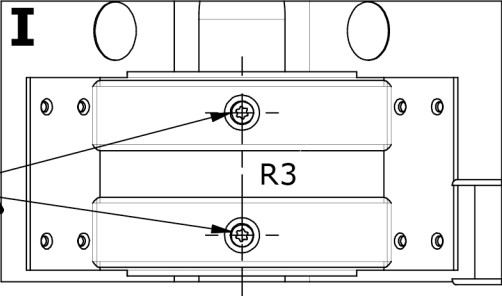


II

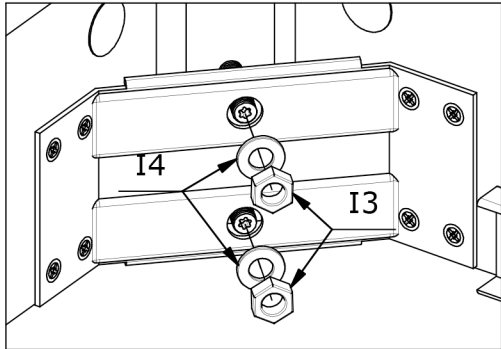
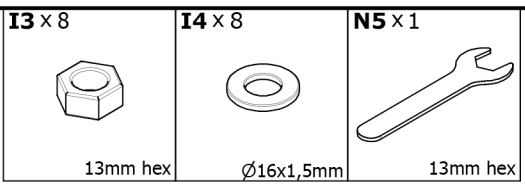


x4

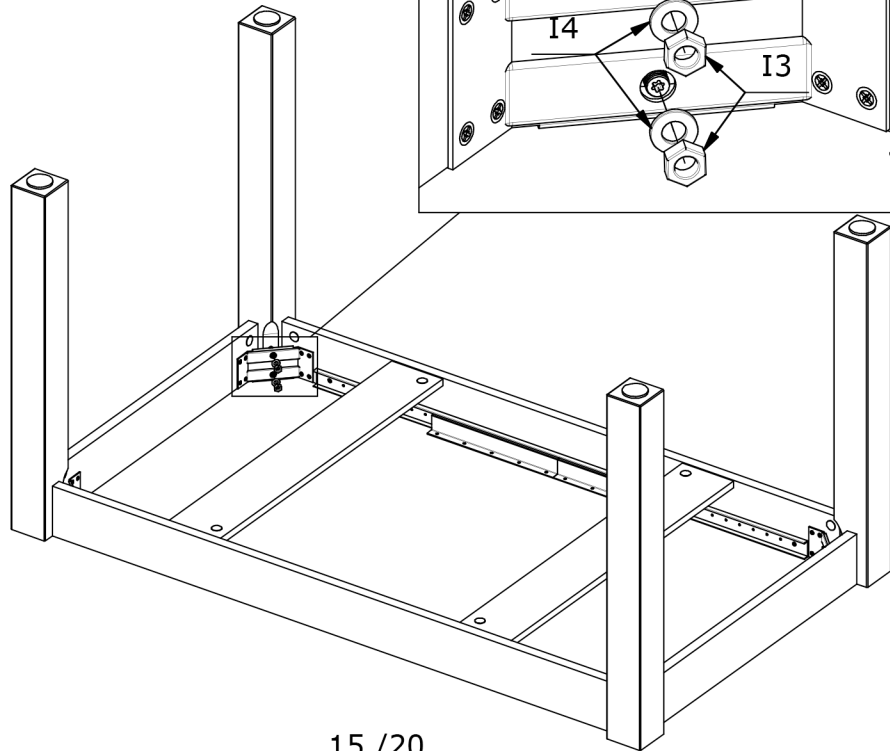
I



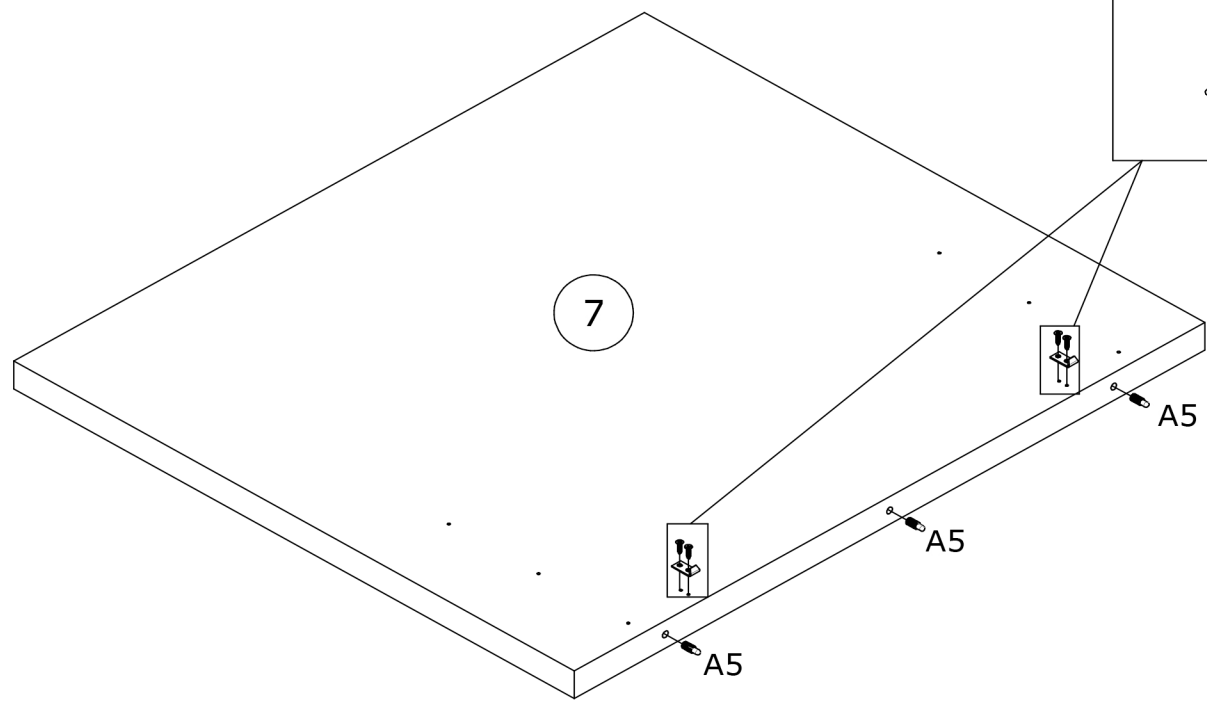
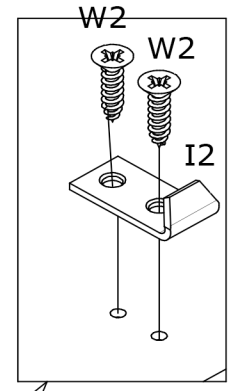
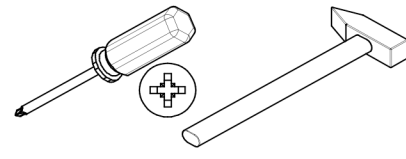
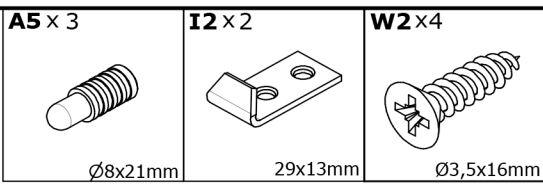
11



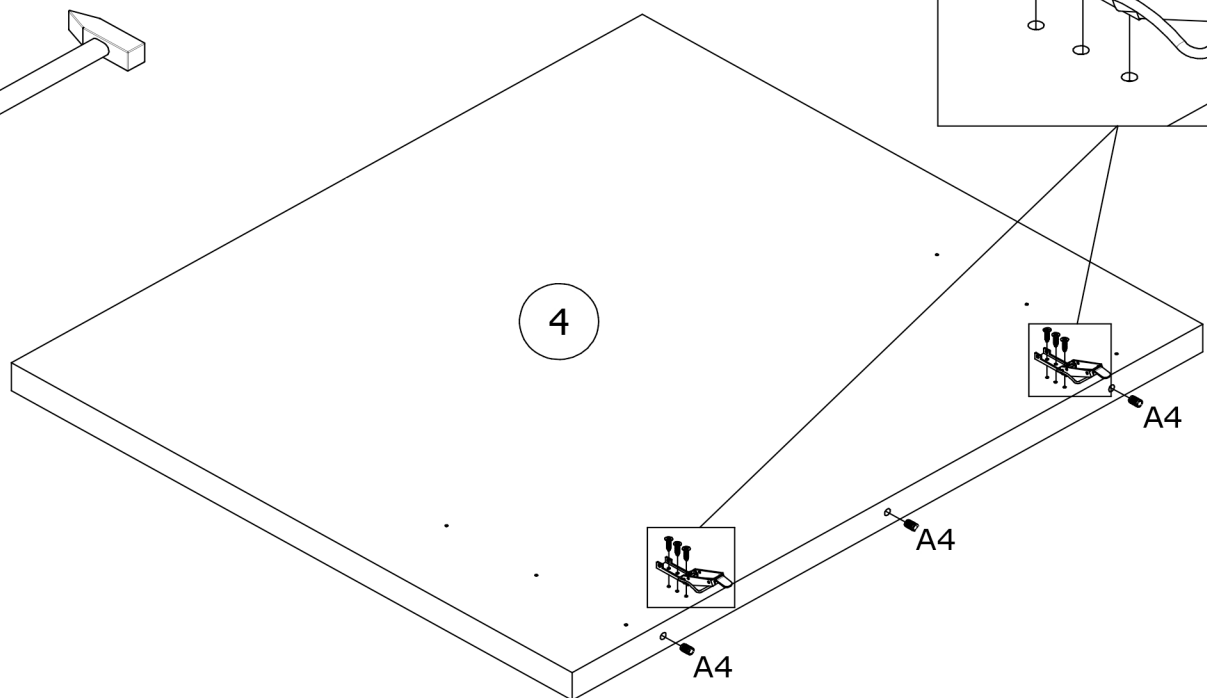
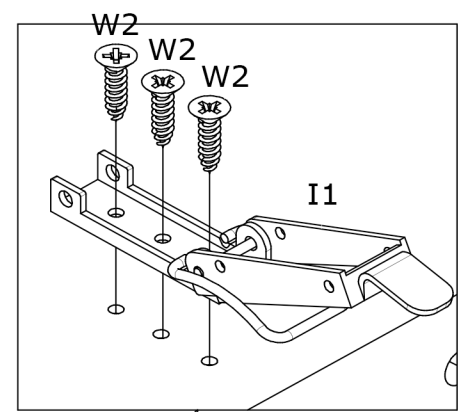
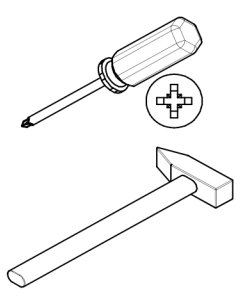
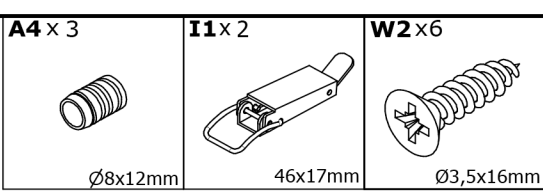
x4



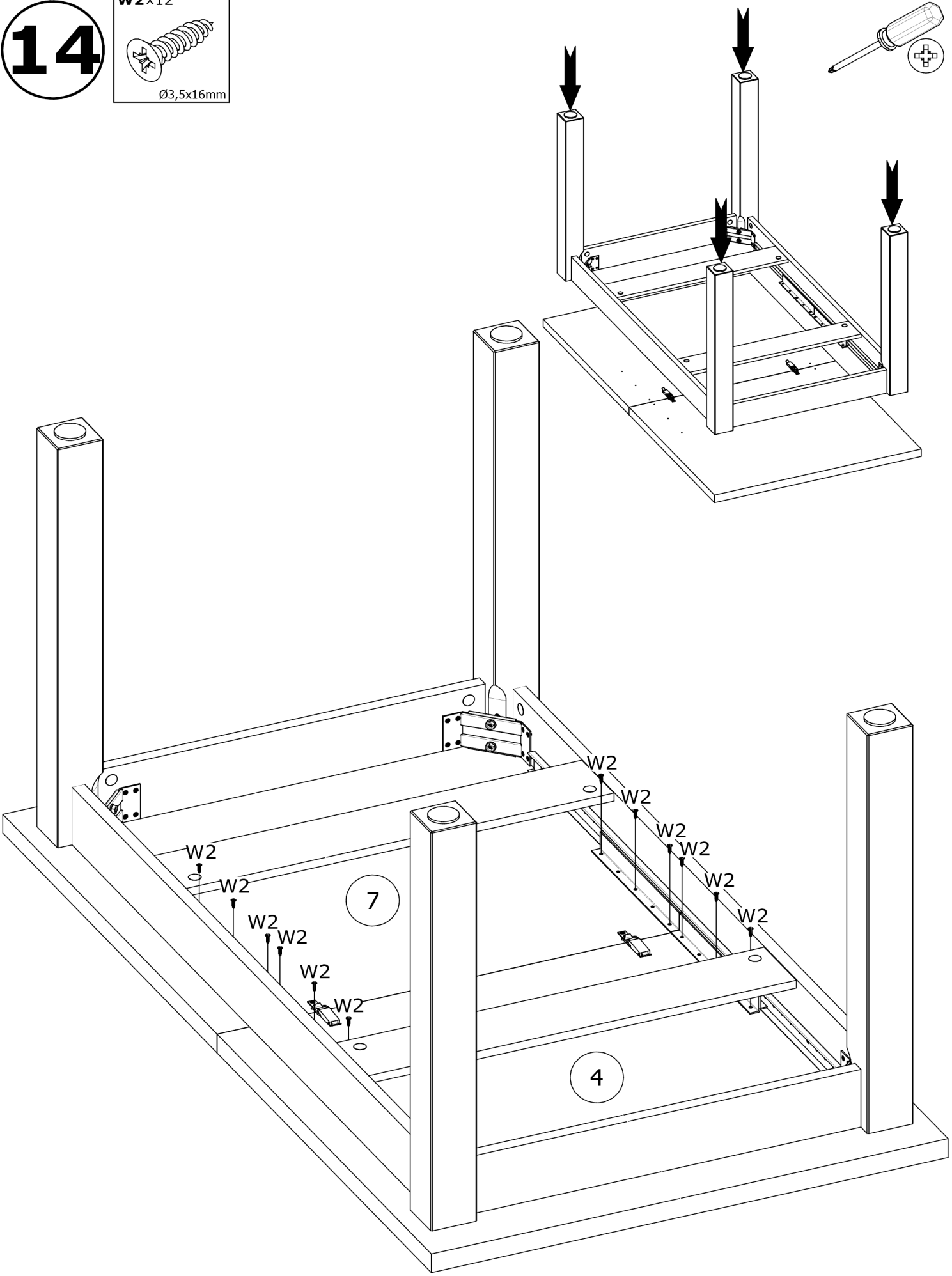
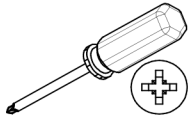
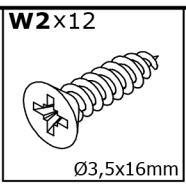
12



13

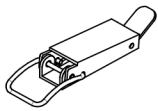


14



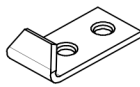
15

I1 x 2



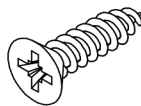
46x17mm

I2 x 2

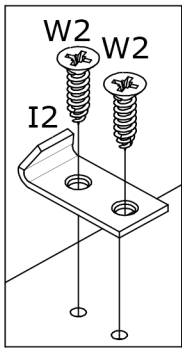
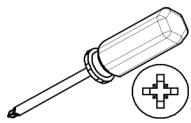


29x13mm

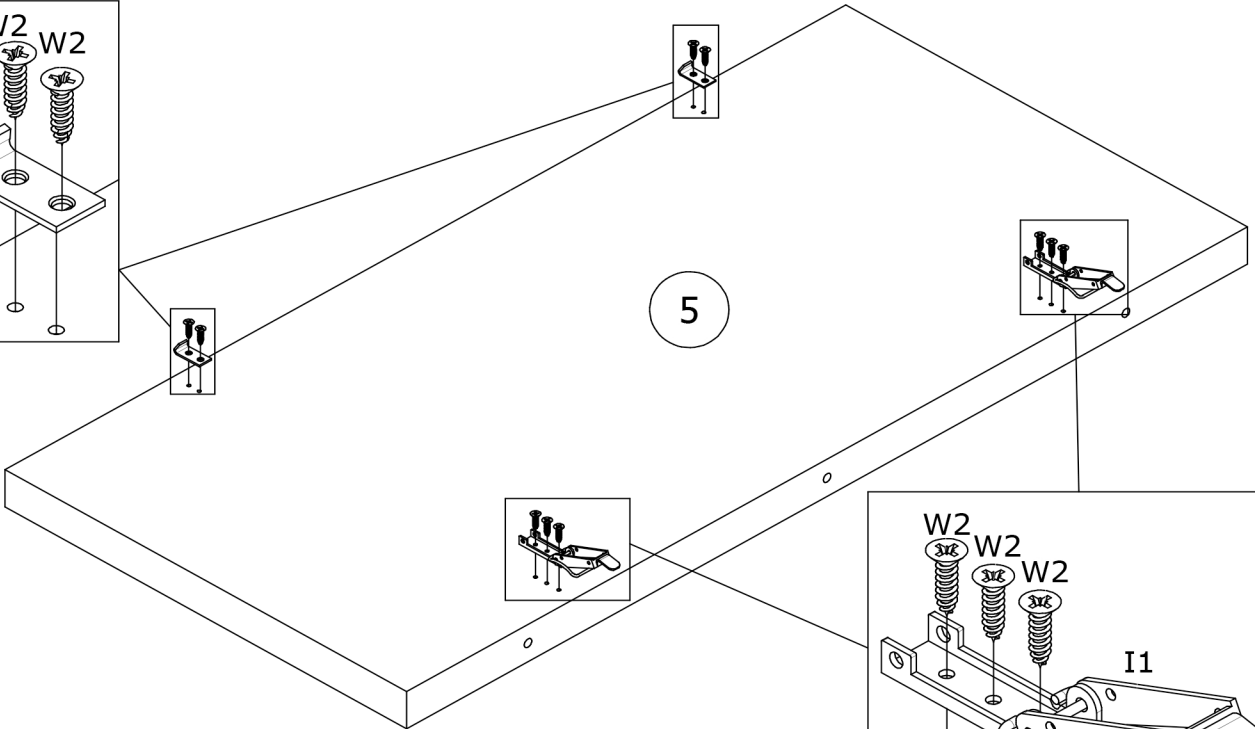
W2 x 10



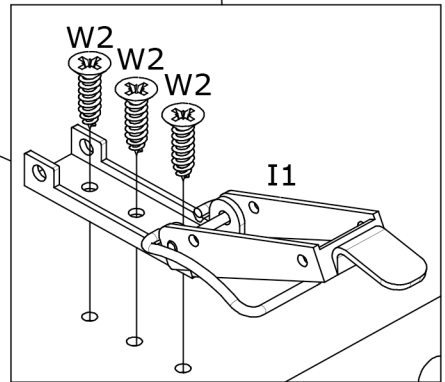
Ø3,5x16mm



W2
W2
I2



5



W2
W2
W2
I1

16

A4 x 3

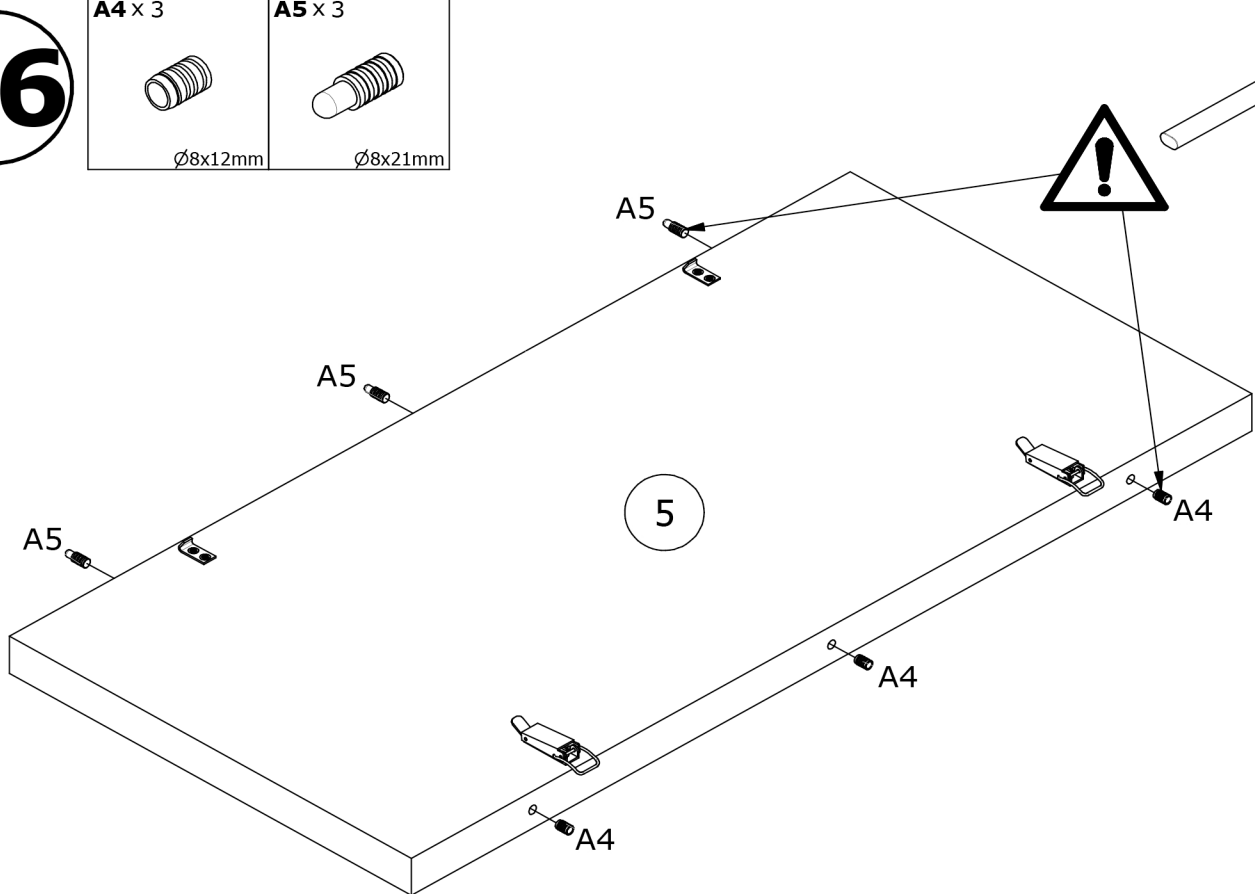


Ø8x12mm

A5 x 3



Ø8x21mm

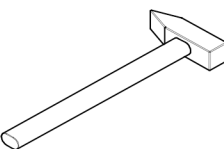


A5

A5

A5

5



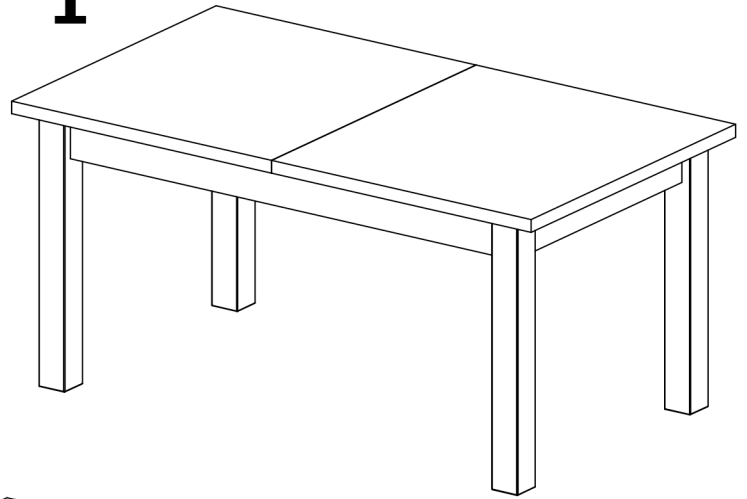
A4

A4

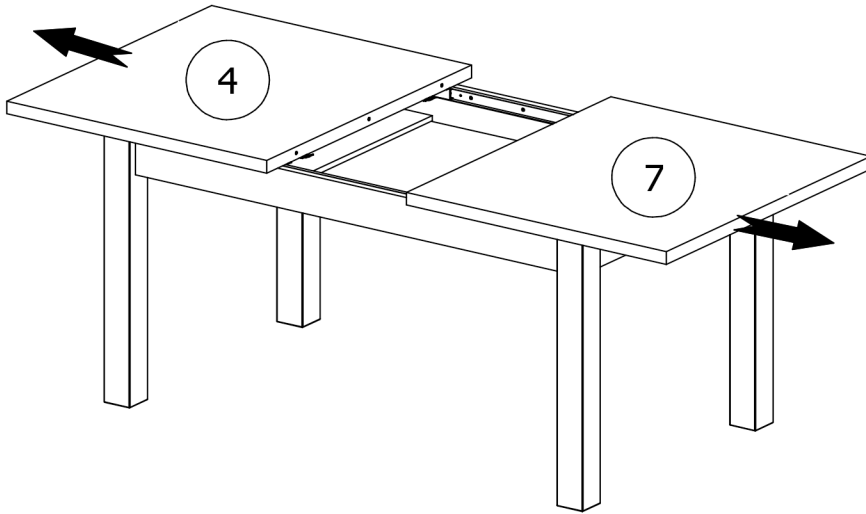
A4

17

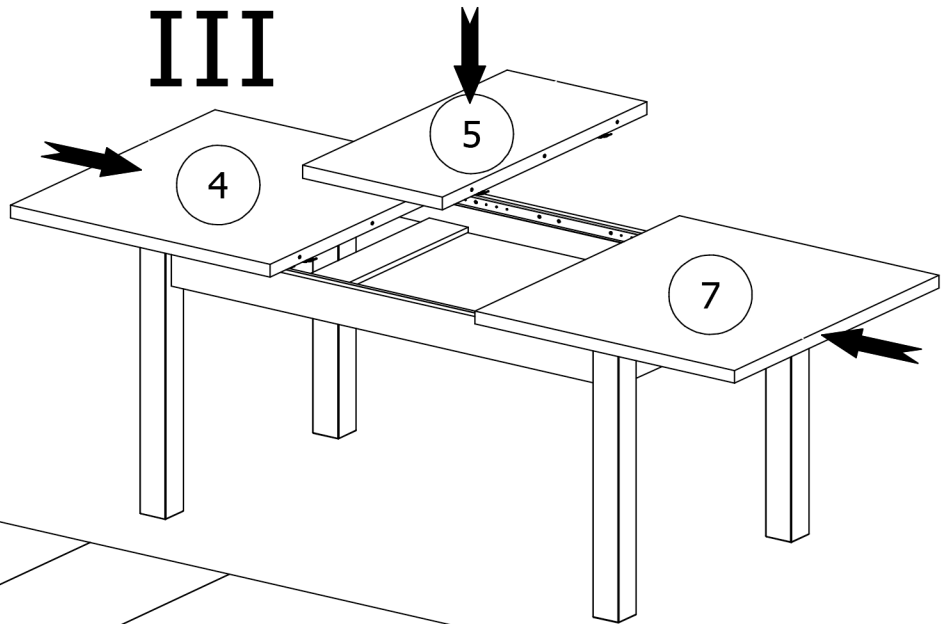
I



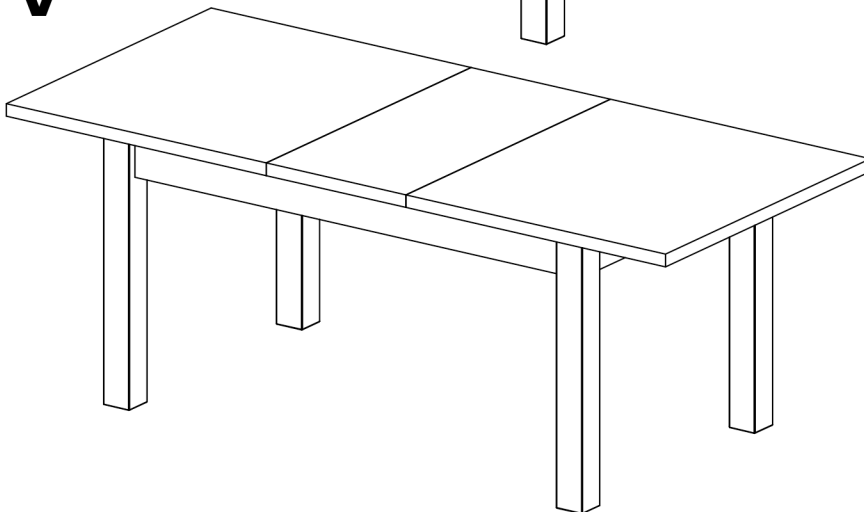
II



III



IV



18

